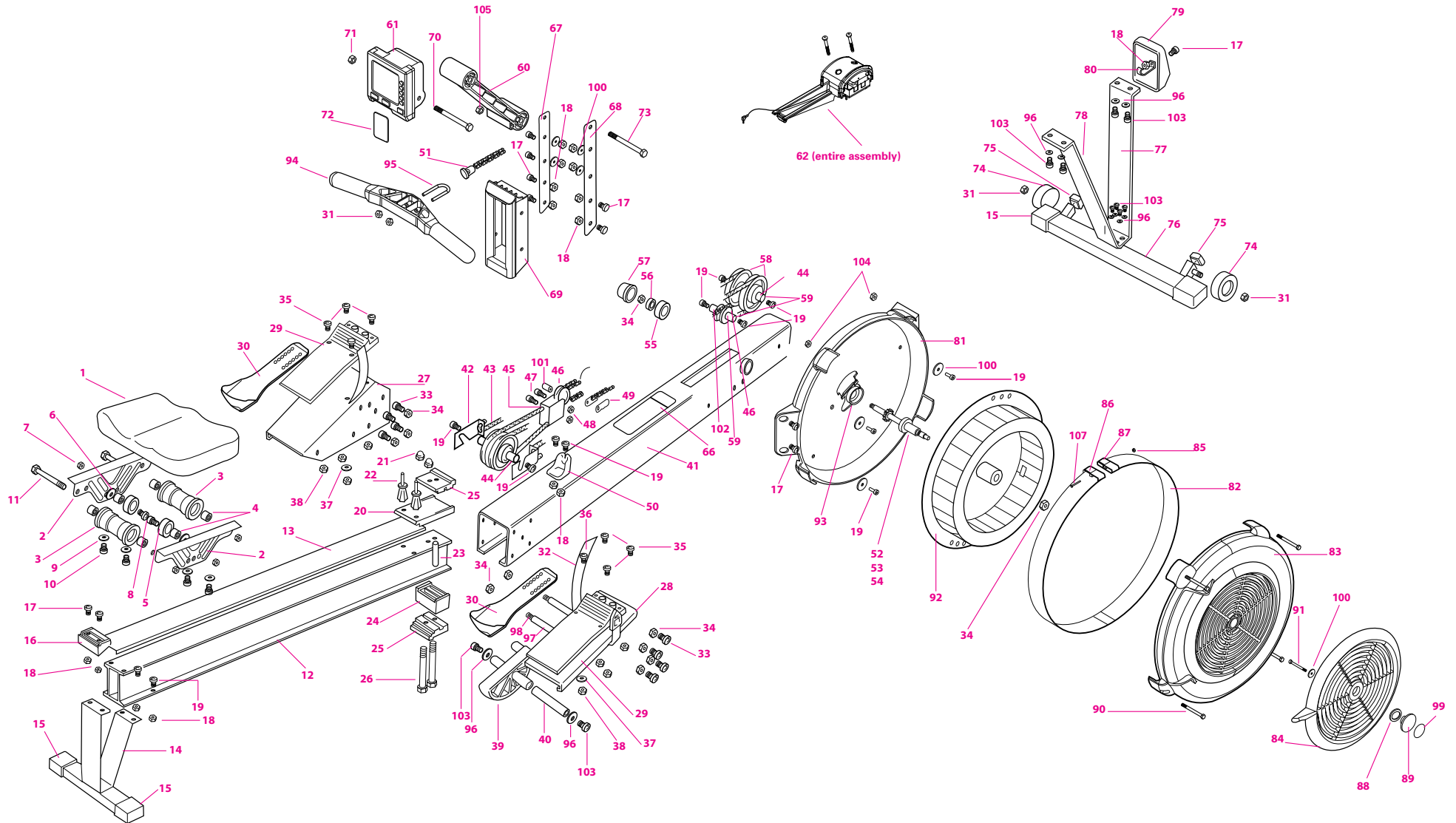


concept 2[®] MODEL D SCHEMATIC

INDOOR ROWER

For Model D Indoor Rowers
made **BEFORE** July 31, 2006



| | | | | | |
|----|---------|--|-----|---------|--|
| 1 | PN 1929 | Seat Top w/Screws | 51 | PN 1716 | Chain (with Connector and Swivel C/D) |
| 2 | PN 1923 | Seat Carriage (left and right) | 52 | PN 1165 | Flywheel Axle |
| 3 | PN 1724 | Top Seat Roller x 2 | 53 | PN 1300 | 17mm Bearing |
| 4 | PN 1302 | Seat Roller Spacer x 6 | 54 | PN 1163 | Sprocket Quiet 14 Tooth D/E |
| 5 | PN 1725 | Bottom Seat Roller x 2 | 55 | PN 1013 | R8 Bearing Rubber Cup |
| 6 | PN 125 | Seat Roller Washer x 2 | 56 | PN 232 | R8 Bearing |
| 7 | PN 1209 | Seat Roller Nut x 4 | 57 | PN 1010 | Bearing Cover |
| 8 | PN 1208 | Bottom Seat Roller Bolt x 2 | 58 | PN 1011 | Shock Cord Pulley x 4 |
| 9 | PN 1246 | Seat Top Lock Washer x 4 | 59 | PN 1130 | Axle Shock Cord/Chain Idler Pulley x 3 |
| 10 | PN 1207 | Seat Top Screw x 4 | 60 | PN 1025 | Monitor Arm |
| 11 | PN 1211 | Top Seat Roller Bolt x 2 | 61 | PN 1874 | PM3 Monitor |
| 12 | PN 1907 | Monorail Assy. D w/Track | 62 | PN 1887 | Generator Assembly |
| 13 | PN 1762 | Track/Tape Assembly w/Rivet | 66 | PN 1533 | Technique Label |
| 14 | PN 1175 | Rear Leg | 67 | PN 1169 | Chain Guide Bracket Left |
| 15 | PN 119 | Rubber Foot x 4 | 68 | PN 1168 | Chain Guide Bracket Right |
| 16 | PN 1008 | Rear Bumper | 69 | PN 1003 | Chain Guide |
| 17 | PN 1201 | 3/4" Button Head Screw Patched | 70 | PN 1268 | Monitor Arm Bolt 3.5" long |
| 18 | PN 1213 | 1/4" Nut | 71 | PN 1271 | 3/8" Nut |
| 19 | PN 1231 | 1/2" Button Head Screw Patched | 72 | PN 1810 | Log Card w/Sleeve Assembly |
| 20 | PN 1006 | Top Front Bumper | 73 | PN 1224 | Monitor Arm Bolt 4" long |
| 21 | PN 1217 | Acorn Nut x 2 | 74 | PN 1308 | Castor Wheels |
| 22 | PN 1251 | Poly Rivet x 2 | 75 | PN 1309 | Castor Stop |
| 23 | PN 1103 | Monorail Bolt Tube | 76 | PN 1925 | Front Foot w/Casters |
| 24 | PN 1007 | Bottom Front Bumper | 77 | PN 1173 | Front Leg Long |
| 25 | PN 1102 | Monorail Hanger x 2 | 78 | PN 1172 | Front Leg Short |
| 26 | PN 1204 | Monorail Hanger Bolt x 2 | 79 | PN 1009 | End Cap |
| 27 | PN 1170 | Left Foot Bracket | 80 | PN 1131 | End Cap Hook |
| 28 | PN 1171 | Right Foot Bracket | 81 | PN 1031 | Flywheel Cover Back |
| 29 | PN 1720 | Flex foot / Stretcher Cover W/ Screws | 82 | PN 1912 | Outlet Perf w/connectors |
| 30 | PN 1017 | Flex foot x 2 | 83 | PN 1942 | Flywheel Cover Front Assembly |
| 31 | PN 1235 | 1/4" Nylock Nut x 4 | 84 | PN 1033 | Damper |
| 32 | PN 1501 | Foot Strap x 2 | 85 | PN 1274 | 1275 Outlet Perf Connector Screw & Nut |
| 33 | PN 1210 | Foot Bracket Screws - Allen Key Head x 8 | 86 | PN 1035 | Perf Connector Screw Side |
| 34 | PN 1244 | 3/8" Nylock Nut x 13 | 87 | PN 1036 | Perf Connector Nut Side |
| 35 | PN 1227 | Short Toe Piece Screw x 6 | 88 | PN 1278 | Wave Washer |
| 36 | PN 1228 | Long Toe Piece Screw x 2 | 89 | PN 1034 | Hub Cap |
| 37 | PN 1229 | Toe Piece Washer x 2 | 90 | PN 1276 | Flywheel Cover Bolt x 4 |
| 38 | PN 1212 | Nylock Nut Toe Piece x 8 | 91 | PN 1273 | Damper Screw |
| 39 | PN 1792 | Frame Lock | 92 | PN 1940 | Flywheel Assembly w/Magnet |
| 40 | PN 1144 | Frame Lock Axle | 93 | PN 1012 | 17mm Bearing Rubber Cup |
| 41 | PN 1178 | Box Frame | 94 | PN 1040 | Handle W/ Grips |
| 42 | PN 1104 | S.C.A.M. x 2 | 95 | PN 244 | Handle U Bolt |
| 43 | PN 1731 | Shock Cord | 96 | PN 1205 | Lock Washer x 10 |
| 44 | PN 1310 | Shock Cord Pulley Axle Spacer x 4 | 97 | PN 1105 | Hanger Bolt Tube x 2 |
| 45 | PN 1756 | Traveling Pulley Assembly C/D/E | 98 | PN 1203 | Hanger Bolt x 2 |
| 46 | PN 1024 | Chain Idler Pulley x 2 | 99 | PN 1534 | Hub Cap Label |
| 47 | PN 1206 | Traveling Pulley Screws x 2 | 100 | PN 1232 | Fender Washer x 8 |
| 48 | PN 1249 | 1/4" Nylock Jam nut x 2 | 101 | PN 1303 | Traveling Pulley Spacer |
| 49 | PN 285 | Chain Connector x 2 | 102 | PN 1305 | Idler Pulley Spacer x 2 |
| 50 | PN 1754 | Handle Hook | 103 | PN 1248 | 3/4" Button Head Screw |
| | | | 104 | PN 327 | Nut #10 SS (4) |
| | | | 105 | PN 1270 | Nut Nylock Zinc 3/8 - 16 ZP |
| | | | 106 | PN 1274 | Pan PH #6 x 2 SS |