

# CLIMBMAX

**Add a Gym Caddy!**  
See page 183.

## HANDRAIL GRIPS

1 CL54019, Each Grip



## ClimbMax Serial Numbers



GIVE US YOUR SERIAL NUMBER BEFORE ORDERING PARTS.

MODEL	SERIAL NUMBER RANGE
150	S/N 150000—166189
4.5	S/N 166190—176195
2	S/N 400000—404640
Personal Climber (old mechanism)	S/N 300000—315498
VR Climber	S/N 250000—250854
400 Personal Climber (new mechanism)	S/N 315499—current*
1000, (500S)	S/N 319899—current
700S, ClimbMax 2000, ClimbMax Series 5	701000—706855 706856 — now
800S & ClimbMax 3000	No serial number provided

\*console design changed after 319899

## PEDAL RETURN SPRING

5 CL40027



## WHEN REPLACING GRIPS, DON'T FORGET THE Lube 'N' Glue

Grips slide on with ease, then dry in place.

1 qt. Bottle LA051, \$24.00  
1 oz. Bottle LA050, \$2.50



## ClimbMax

### Handrails

1 CL54019 Handrail Grip, Each \$ 10.50

### Belt Tension Parts

2 CL33001 Slack Switch 13.20  
3 CL45028 Tension Belt 18.00  
4 CLAB05 Replacement Tension Motor 148.00

### Pedal Assembly & Parallel Arm Assembly

5 CL40027 Pedal Return Spring 10.50

### Overlay Assemblies

6 CL51900 Overlay Assembly (CL150) 70.00  
7 CL51911 Overlay, PC 96.00  
8 CL51951 Overlay, CM2 96.00  
9 CL51967 Overlay (Serial #'s 4.5 166190-176195) 96.00



See ClimbMax Test Mode online!

<http://www.gympart.com/repairhelp.php>

## OVERLAY ASSEMBLIES



FOR SERIAL NUMBERS  
400000-404640

8 CL51951



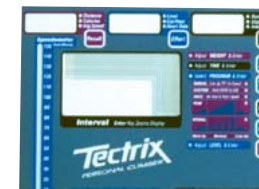
FOR SERIAL NUMBERS  
166190-176195

9 CL51967



FOR SERIAL NUMBERS  
150000-166189

6 CL51900



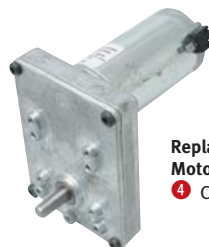
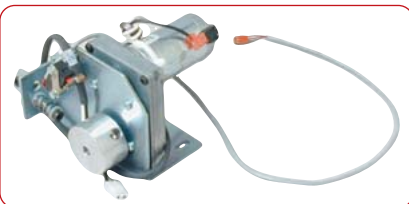
FOR SERIAL NUMBERS  
315499-319899

7 CL51911

## BELT TENSION PARTS

### Tension Belt

3 CL45028



Replacement Tension Motor and Gear Box  
4 CLAB05

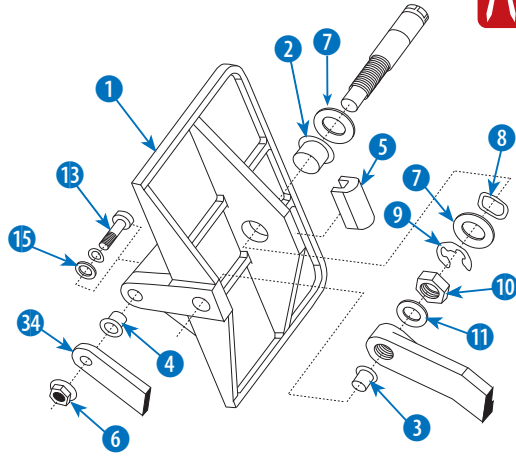
### Slack Switch

2 CL33001

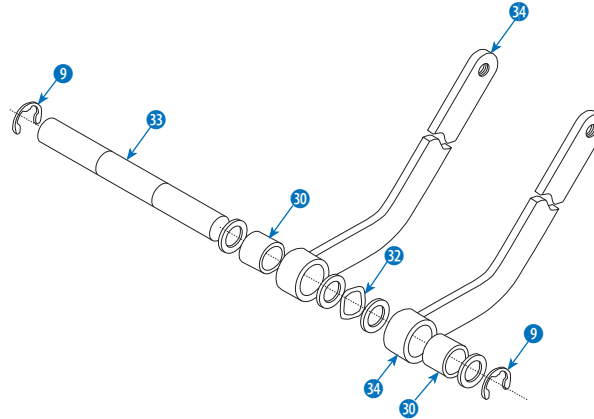


## CLIMBMAX

### PEDAL ASSEMBLY



### PARALLEL ARM ASSEMBLY

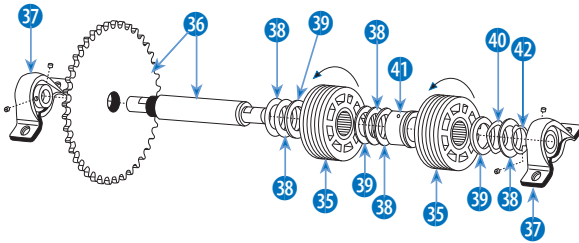


### TRANSMISSION ASSEMBLY

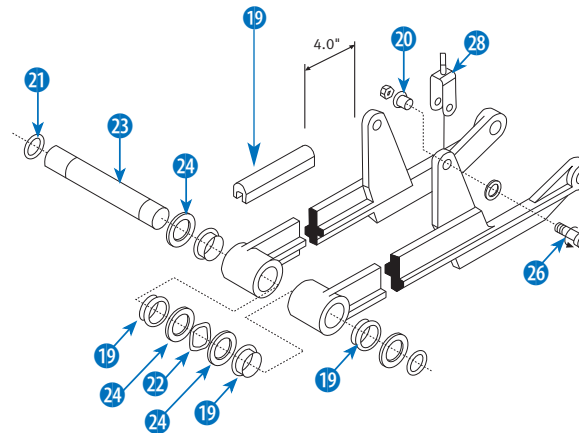
Complete Transmission Assembly

1 CL61017

(Pillow block bearings not included)



### CRANK ARM ASSEMBLY



## ClimbMax (continued)

### Assembly & Parallel Arm Assembly (continued)

1	CL61357	Pedal	\$ 59.51
2	CL44024	Pedal Bearing, Large	6.80
3	CL44025	Pedal Bearing, Small	2.96
4	CL44026	Pedal/Level Arm Bearing	2.46
5	CL54003	Pedal Bumper	4.00
6	CL42043	Flanged Nut, 3/8"-16, for Pedal	1.25
7	CL43031	Flat Washer for Pedal	3.40
8	CL40005	Wave Washer	1.25
9	CL43201	Retaining Ring	0.75
10	CL42030	Jam Nut for Pedal	1.60
11	CL43028	Lock Washer, Serrated	0.75
13	CL41043	Pedal Bolt for Leveling Arm	7.75
15	CL44027	Bronze Washer, Level Arm Bolt	0.60
30	CL44009	Bearing, Parallel Arm	1.60
32	CL40005	Wave Washer, 3/4"	1.25
33	CL51462	Parallel Arm Shaft	27.04
34	CL61032	Parallel Arm	43.00

### Transmission Assembly

1	CL61017	Transmission Assembly, Non-Series Five <i>(pillow block bearings not included)</i>	330.00
35	CL61009	Clutch Pulley Assembly	74.25
36	CL61091	Clutch Shaft and Sprocket Assembly	96.00
37	CL44014	Bearing for Pillow Block	18.00
38	SM034	Washer	0.75
39	CL44002	Thrust Bearing	1.50
40	CL40004	Wave Washer	1.25
41	CL44031	Bearing, 1" x 1"	3.95
42	SM033	Snap Ring, Drive Shaft	0.95

### Crank Arm Assembly

19	CL44058	Bearing, Pedal Arm Base	7.80
20	CL44026	Bearing, Pedal/Level Arm	2.46
21	SM033	Snap Ring, Drive Shaft	0.95
22	CL40004	Wave Washer	1.25
23	CL51068	Shaft, Crank Pivot	48.00
24	CL40031	Washer, Thrust, 1", 4.0 Up	3.75
26	CL53016	Clevis Screw, Pedal Arm	10.50
28	CL51045	Cable, Drive, U Bracket	18.00

**ORDER ONLINE!**

WWW.GYMPART.COM



## ClimbMax (continued)

### Electronics: Exchange, Repair or Purchase

3	CLE001	CM/BM Power Board, Repair	\$ 69.00
4	CLE001.5	CM/BM Power Board, Exchange	104.00
5	CLE002	CM/BM Display PCB, Repair	74.00
6	CLE002.5	CM/BM Display PCB, Exchange (NS, solid)	104.00
7	CLE002.6	CM/BM Display PCB, Exchange (OS, split)	104.00
9	CL61257	Display PCB, CM2, Reconditioned (NS, solid)	250.00
10	CL61576	CM/BM Power Board, Reconditioned	140.00

### Frame Parts

	CL41006	Cover Screw, Self-tapping	0.50
11	CL41044	Bolt Carriage, Rear Foot	0.38

### Drive System

12	CL45007	Cable, Pedal Return	12.00
	CL45028	Friction Belt	18.00
13	CL45030	Cable, Pedal Return, New Style	10.19
14	CL45031	Drive Cable, 2 Ball Shanks	16.00
15	CL51045	Drive Cable, U-Bracket	18.00
16	CL51384	RPM Disk	4.23

### Electrical

17	CL14007	Power Cord, 8'	8.00
18	CL14160	Motor Leads	10.85
	CL51021	Bracket, for Motor	14.00
19	CL51055	Angle Bracket Belt Anchor	2.25
21	CL61554	Switch Plate Assembly	84.00

### Drive Chain Options

22	CL45027	Drive Chain, PC, including Master Link	18.00
23	CL61013	Drive Chain w/ Master Link (CL150)	18.00

CLEAN IT! PROTECT IT!

# Gympart Blast!

Cleaner Degreaser  
Equipment Polish

SEE OUR FULL LINE OF CLEANERS  
AND LUBRICANTS ON PAGE 9.



## SAVE 70% BY BUYING KIT!

### REPLACEMENT BEARING KIT



CL71115, \$34.68

INCLUDES A FULL SET OF THE FOLLOWING:  
**Bearing, Parallel Arm**  
CL44009, \$1.60 each  
(two required)



**Bearing, Pedal, Large**  
CL44024, \$6.80 each  
(two required)



**Bearing, Pedal, Small**  
CL44025, \$2.96 each  
(two required)



**Bearing, Level Arm**  
CL44026, \$2.46 each  
(four required)



**Bearing, Crank Arm Base**  
CL44058, \$7.80 each  
(four required)



(Bearings also sold separately)

### POWER CORD

17 CL14007



**Switch Plate Assembly**

21 CL61554

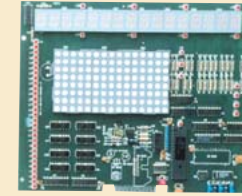
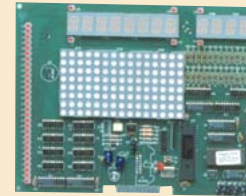


### DISPLAY BOARDS

USE ON BOTH CLIMBMAX AND BIKEMAX.

5 CLE002, Repair  
7 CLE002.6, Exchange

9 CL61257, Reconditioned  
5 CLE002, Repair  
6 CLE002.5, Exchange



### CABLES

**Drive Cables**

15 CL51045  
14 CL45031

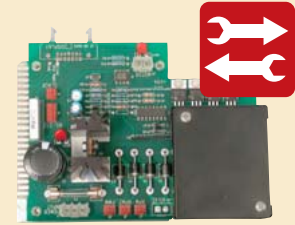


**Pedal Return Cables**

12 CL45007  
13 CL45030



## REPAIR & EXCHANGE AVAILABLE!

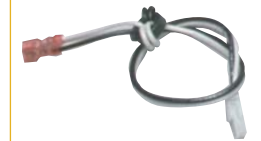


### POWER BOARD

3 CLE001, Repair  
4 CLE001.5, Exchange  
10 CL61576, Reconditioned

**Motor Leads**

18 CL14160



### HARDWARE

**RPM Disk**

16 CL51384



**Bolt Carriage**

11 CL41044



**Angle Bracket Belt Anchor**

19 CL51055

