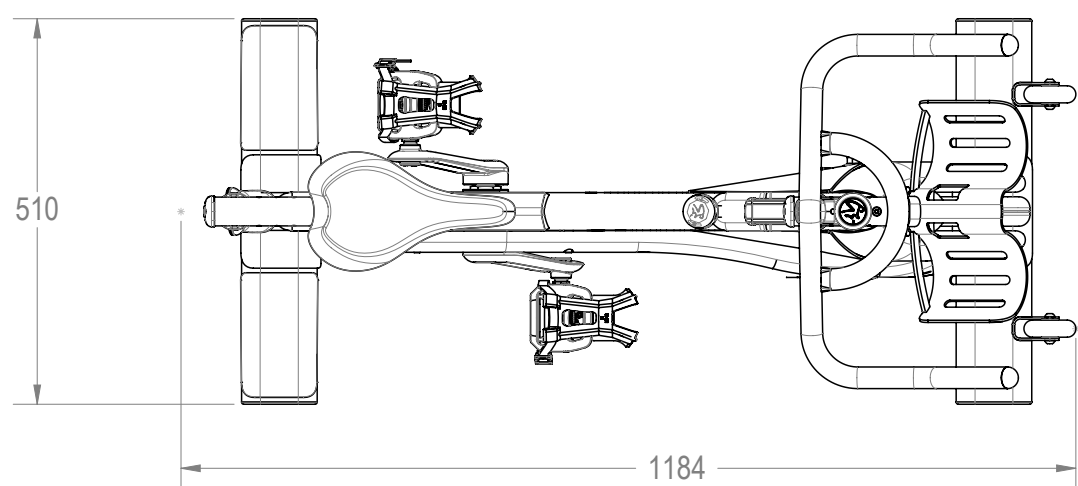
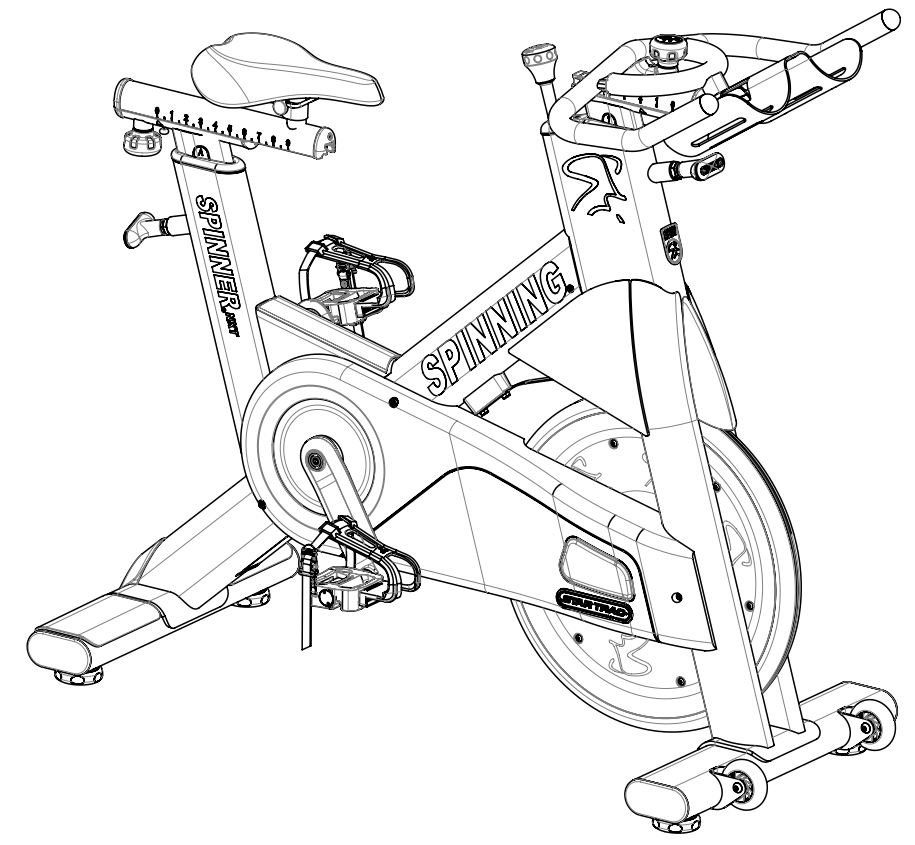
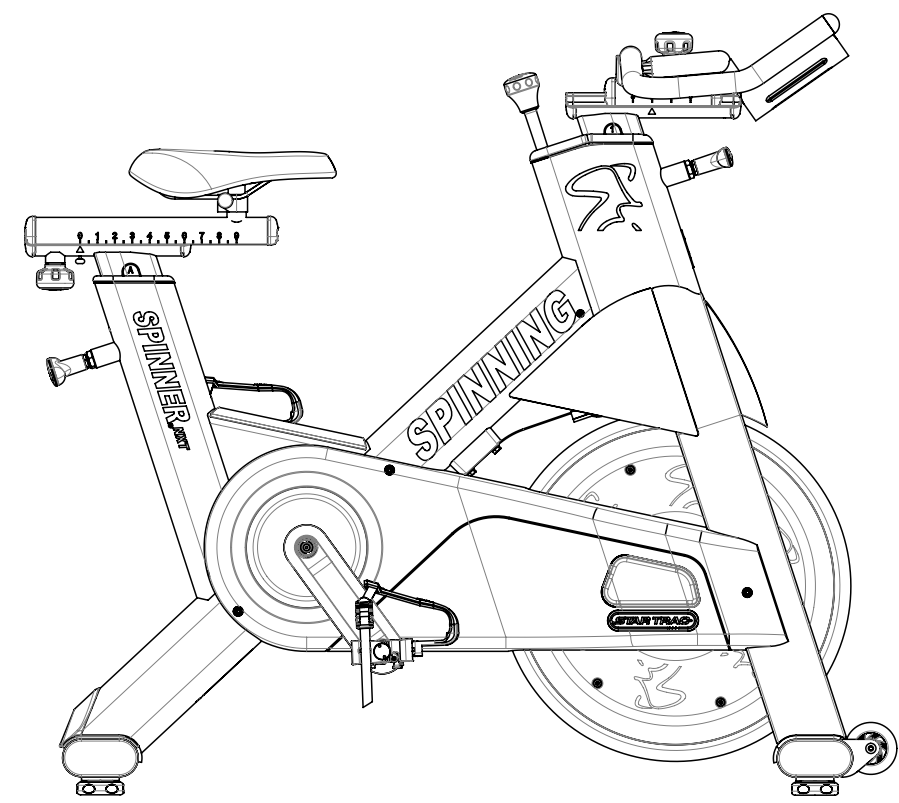
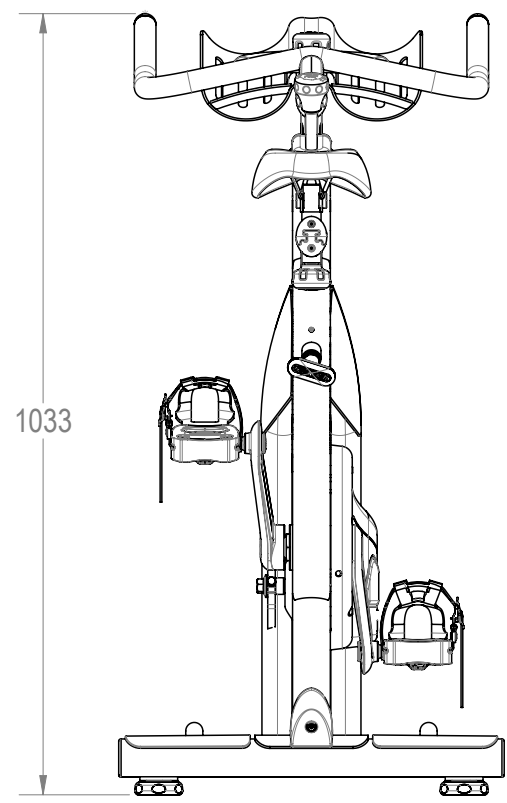


9 8 7 6 5 4 3 2 1

NOTES:
 1. DIMENSIONS SHOWN WITH THE UNIT AT ITS MOST COMPACT CONFIGURATION.



REVISION HISTORY				
REV	DATE	DESCRIPTION	ECO	BY
A	3/07/2010	PRODUCTION RELEASE	13486	DMM
B	11/29/2011	REPLACE P/N 740-7817 WITH 740-6899; REPLACE P/N 740-8001 & 740-7012 WITH 740-8145 AND REMOVE P/N 740-7954 & 740-8000 FROM THE ASSEMBLY	13595	SD
C	2/1/2012	UPDATED HANDLEBAR AND SEAT ASSY	13652	DMM



DOCUMENT STATUS:

NOTICE OF PROPRIETARY INFORMATION
 THIS DOCUMENT SHALL NOT BE REPRODUCED NOR SHALL THE INFORMATION CONTAINED HEREIN BE USED BY OR DISCLOSED TO OTHER EXCEPT AS EXPRESSLY AUTHORIZED BY CORE INDUSTRIES, INC., D.B.A. STAR TRAC.

CLASS OF WORK	UNLESS OTHERWISE SPECIFIED DIMS ARE IN mm. TOLERANCES FOR MEASURE OF LENGTH ARE:							ANGLES = ±2°
	0.5 to 3	>3 to 6	>6 to 30	>30 to 120	>120 to 400	>400 to 1000	>1000 to 2000	
FINE	±0.05	±0.05	±0.1	±0.15	±0.2	±0.3	±0.5	----
MEDIUM X	±0.1	±0.1	±0.2	±0.3	±0.5	±0.8	±1.2	±2
COARSE	±0.2	±0.3	±0.5	±0.8	±1.2	±2	±3	±4
VERY COARSE	----	±0.5	±1	±1.5	±2.5	±4	±6	±8

MATERIAL SEE BOM

FINISH N/A

VENDOR: N/A

P/N: N/A

THIRD ANGLE PROJECTION		
DRAWN	INITIAL DMM	DATE 07/22/2010
CHECKED		
APPROVED		

CORE INDUSTRIES, INC. DBA **STAR TRAC** 14410 Myford Road Irvine CA 92606

STARTRAC PART NO **740-7561** REV **C**

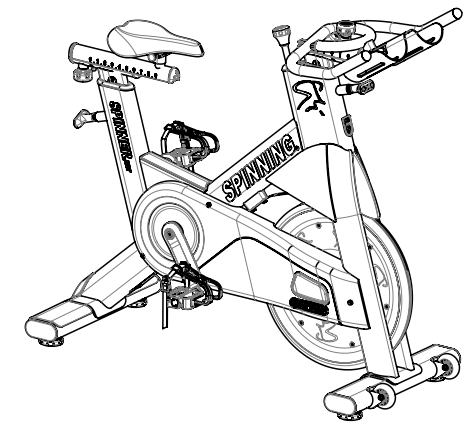
TITLE **ASSY, SPINNER, NXT**

SCALE: 1:10 | SHEET 1 OF 6 | SHEET SIZE: B

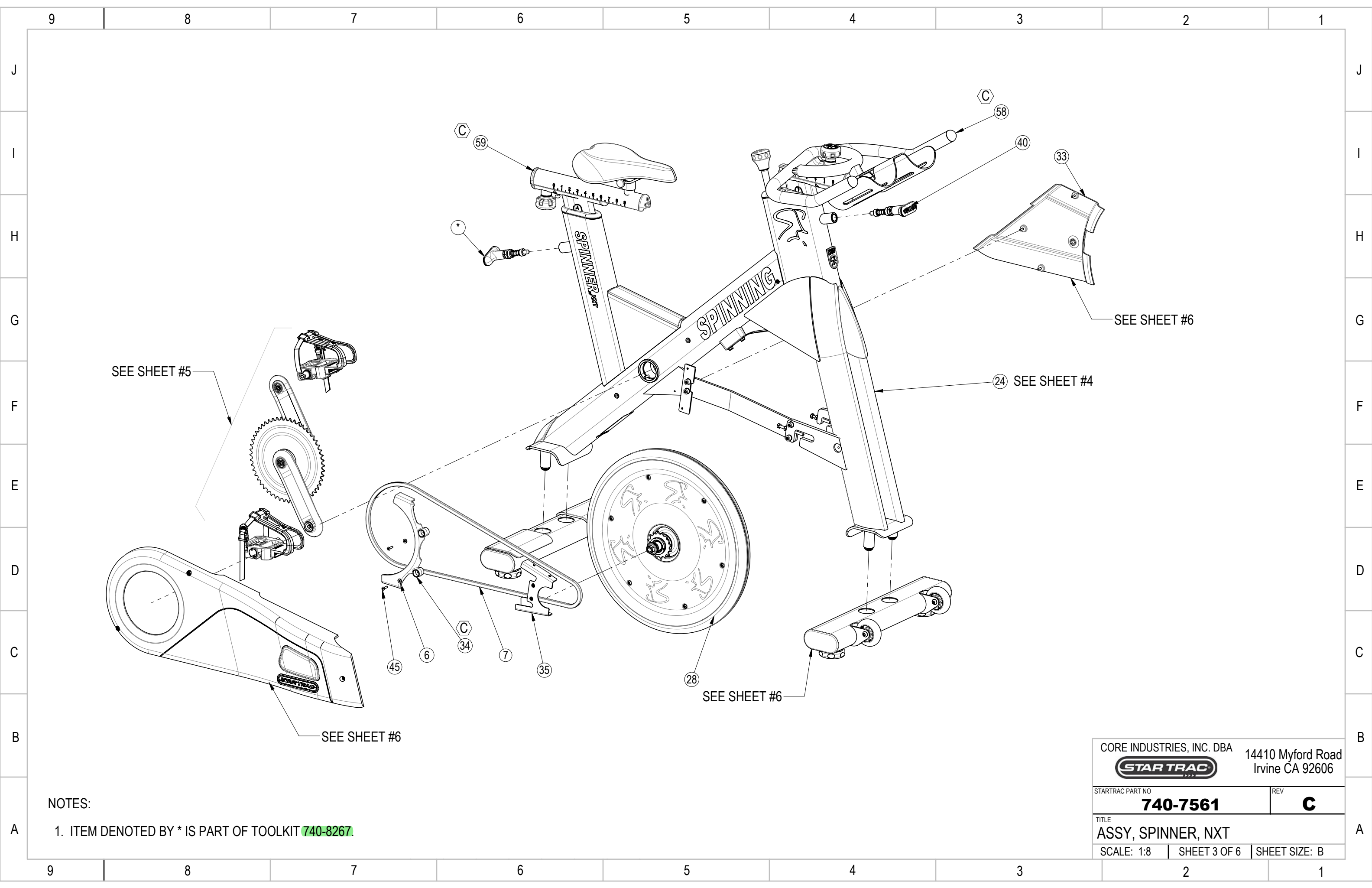
9 8 7 6 5 4 3 2 1

ITEM NO.	PART NUMBER	DESCRIPTION	Default/QTY.
1	050-2115	LABEL, COUNTRY OF ORIGIN	1
2	050-2125	LABEL, SERIAL NO., OEM UNIV	1
3	731-0373	WASHER,PLAIN,M6	2
4	731-0379	SCREW,M8 X1.25,20mm,SHC,HK	4
5	731-0561	WASHER,M8,1MM THK	4
6	731-0585	WASHER,M4	6
7	740-6899	CHAIN, 112 LINKS, TAYA 410H	1
8	740-7167	WASHER, LOCK, SPLIT, M6	2
9	740-7174	NUT, M6, HE, SS	2
10	740-7175	SCREW, M6X1.0X25, HHM, HE, SS	2
11	740-7176	SCREW, M6X1.0X50, HHM, HE, SS	1
12	740-7183	SCREW,M5X0.8X16,BHC,HE,SS	1
13	740-7193	LABEL, LOGO, STAR TRAC, SPINNER	2
14	740-7204	LOGO, SPINNING NXT, SEAT TUBE	2
15	740-7293	WASHER, ID 5.5MM, OD 13MM, SS	1
16	740-7413	LOGO, SPINNING, MAIN TUBE	2
17	740-7450	WASHER, FLAT, M5, SS	3
18	740-7548	SLEEVE, SEAT POST	1
19	740-7553	BEARING, 6005 SERIES, 2RS	2
20	740-7554	B/B AXLE	1
21	740-7555	NUT, AXLE, B/B	1
22	740-7558	END CAP, STABILIZER	2
23	740-7560	CRANK ARM, LEFT	1
24	740-7562	WELDMENT, FRAME, NXT	1
25	740-7564	WELDMENT, STABILIZER, REAR	1
26	740-7567	ASSY, STABILIZER, FRONT	1
27	740-7574	SLEEVE, SLIDER, HANDLEBAR	1
28	740-7577	ASSY, FLYWHEEL, SPINNER	1
29	740-7586	WELDMENT, CRANK ARM	1

ITEM NO.	PART NUMBER	DESCRIPTION	Default/QTY.
30	740-7588	COVER, GUSSET	1
31	740-7597	CAP, DOWNTUBE, RUBBER	1
32	740-7601	CHAINGUARD, MAIN	1
33	740-7602	CHAINGUARD, INSIDE	1
34	740-7603	FINGERGUARD, SPROCKET, 52T	1
35	740-7604	FINGER GUARD, 16T SPROCKET	1
36	740-7608	PLATE, MOUNT, FINGERGUARD	1
37	740-7613	ASSY, PEDAL, L	1
38	740-7614	ASSY, PEDAL, R	1
39	740-7656	FEET, LEVELING, SPINNER	2
40	740-7667	ASSY, POP PIN	1
41	740-7685	BLOCK, BRAKE MOUNT	1
42	740-7780	SCREW, M4 X 0.7, 20mm, FHM, HE, SS	1
43	740-7796	SWEATGUARD, FORK	1
44	740-7799	ASSY, BRAKE PAD	1
45	740-7812	SCREW, M4X0.7, 16mm, PHMS	6
46	740-7916	M5 X 16MM, DOWEL PIN	2
47	740-7989	CAP, ACCESS, FLYWHEEL ADJ	1
48	740-7995	ASSY, BRAKE, ADJUSTMENT KNOB	1
49	740-7996	SCREW, M5 X 0.8, 30mm, SHCS, SS	2
50	740-7997	SCREW, M5 x 0.8, 16mm, SHCS, SS	1
51	740-7999	SCREW, M6X1.0X50, HHM, HE, SS	1
52	740-8002	SPACER, BEARING, BB SPINNER	1
53	740-8012	BAR, FRAME STIFFENER	1
54	740-8013	DECAL, SPINMAN, NXT	1
55	740-8014	DECAL, SPINMAN, NXT	1
56	740-8037	PAD, FEET PROTECTOR	2
57	740-8079	BADGE, SPINMAN	1
58	740-8261	ASSY, HANDLEBAR & POST, W/FORE-AFT	1
59	740-8270	ASSY, SEAT POST	1

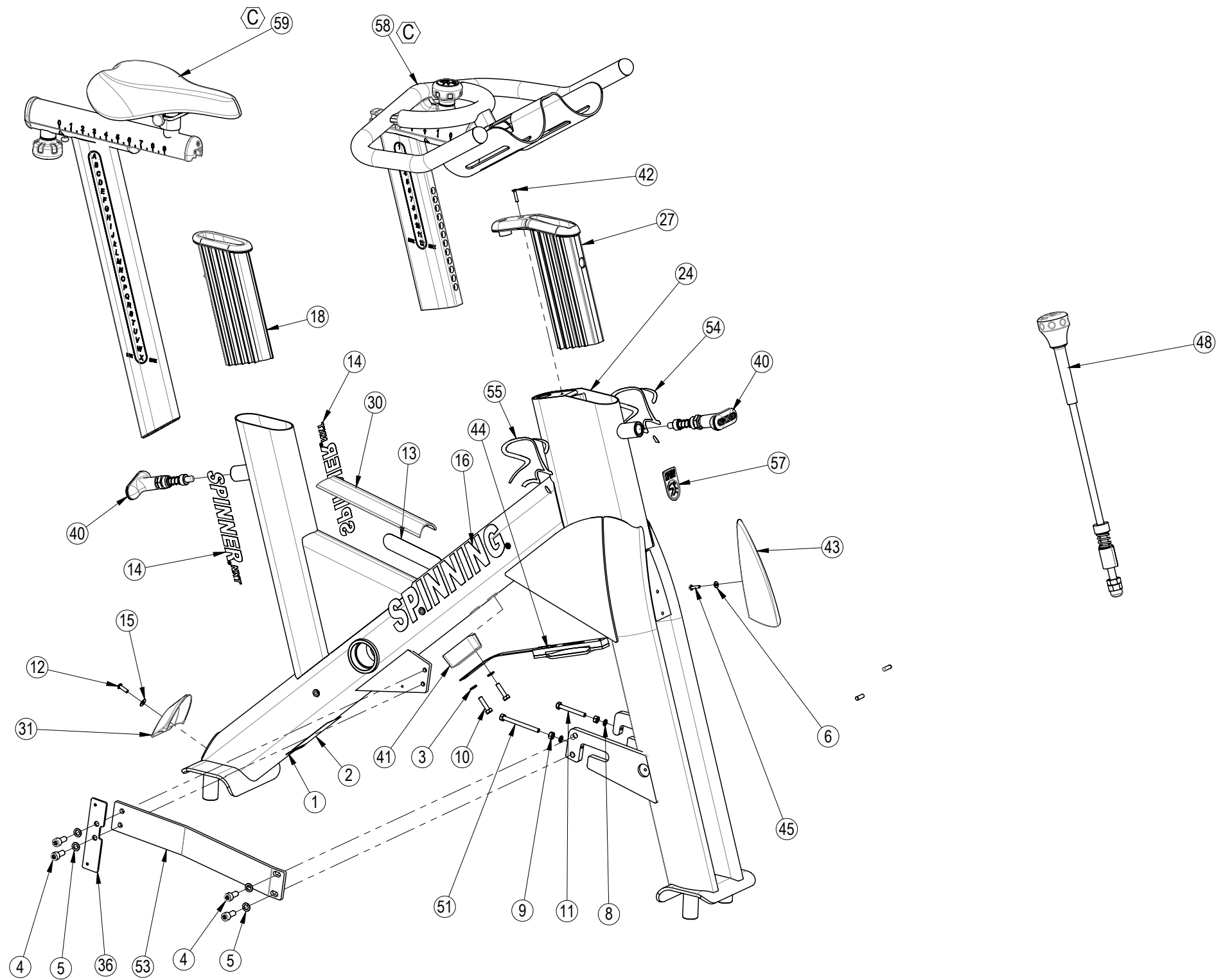


CORE INDUSTRIES, INC. DBA		14410 Myford Road
STAR TRAC		Irvine CA 92606
STARTRAC PART NO	740-7561	REV C
TITLE ASSY, SPINNER, NXT		
SCALE: 1:20	SHEET 2 OF 6	SHEET SIZE: B

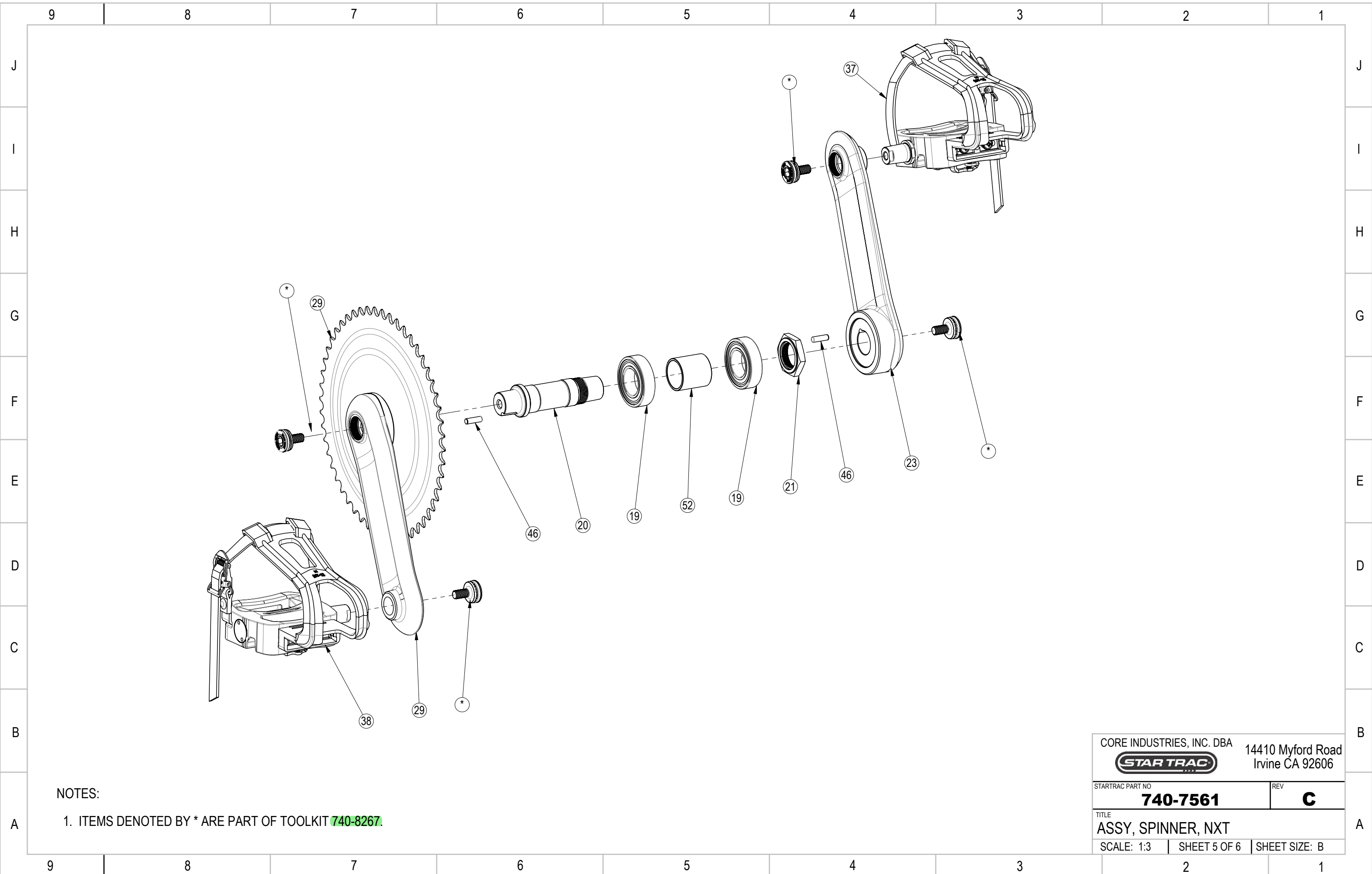


NOTES:
 1. ITEM DENOTED BY * IS PART OF TOOLKIT [740-8267](#).

CORE INDUSTRIES, INC. DBA		14410 Myford Road
STARTRAC		Irvine CA 92606
STARTRAC PART NO	740-7561	REV C
TITLE ASSY, SPINNER, NXT		
SCALE: 1:8	SHEET 3 OF 6	SHEET SIZE: B



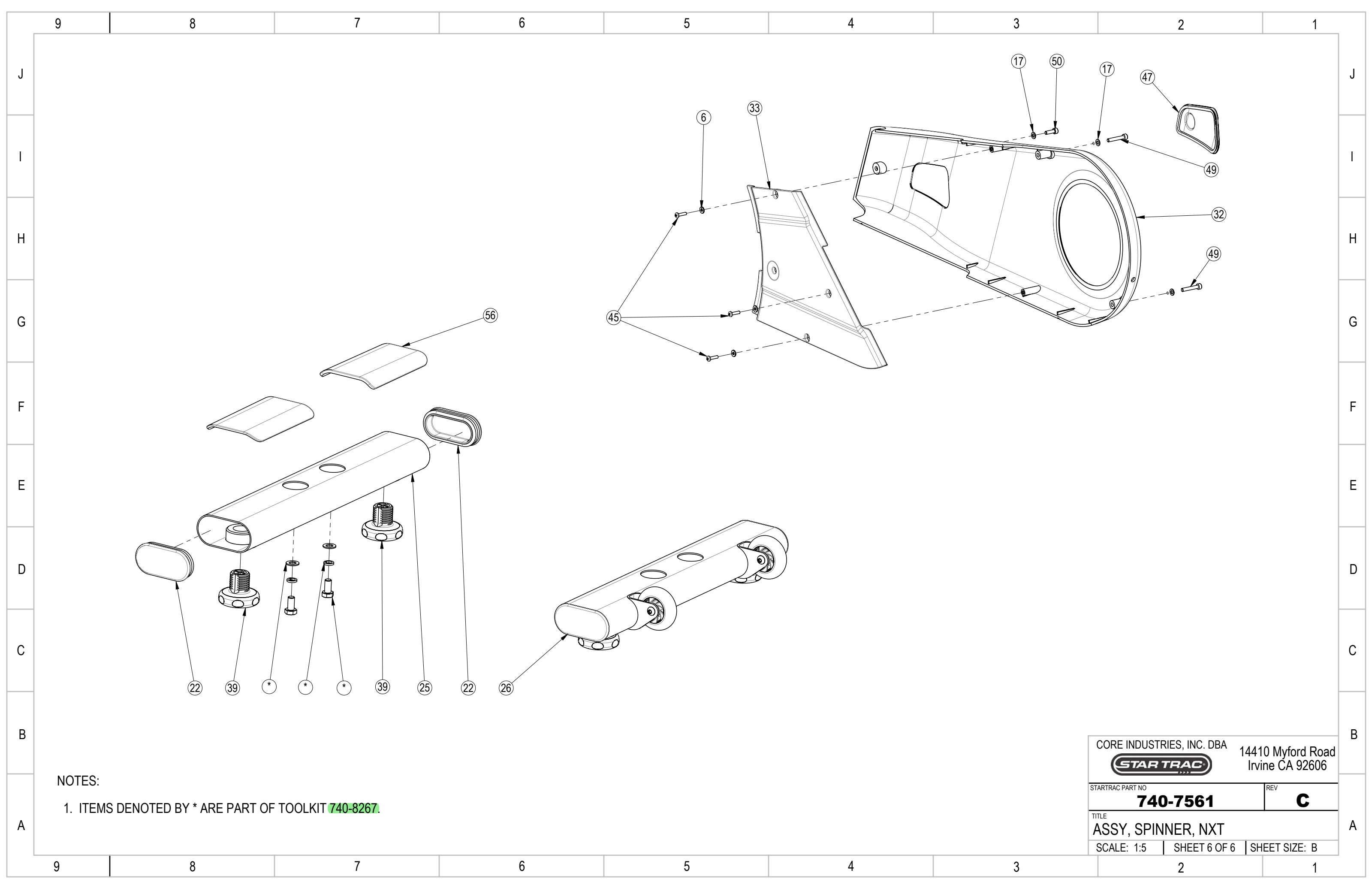
CORE INDUSTRIES, INC. DBA		14410 Myford Road Irvine CA 92606	
STAR TRAC			
STARTRAC PART NO	740-7561	REV	C
TITLE ASSY, SPINNER, NXT			
SCALE: 1:8	SHEET 4 OF 6	SHEET SIZE: B	



NOTES:

1. ITEMS DENOTED BY * ARE PART OF TOOLKIT **740-8267**

CORE INDUSTRIES, INC. DBA		14410 Myford Road Irvine CA 92606	
STAR TRAC			
STARTRAC PART NO	740-7561	REV	C
TITLE ASSY, SPINNER, NXT			
SCALE: 1:3	SHEET 5 OF 6	SHEET SIZE: B	



NOTES:

1. ITEMS DENOTED BY * ARE PART OF TOOLKIT 740-8267.

CORE INDUSTRIES, INC. DBA		14410 Myford Road Irvine CA 92606	
STAR TRAC			
STARTRAC PART NO	740-7561		REV
			C
TITLE			
ASSY, SPINNER, NXT			
SCALE: 1:5	SHEET 6 OF 6	SHEET SIZE: B	