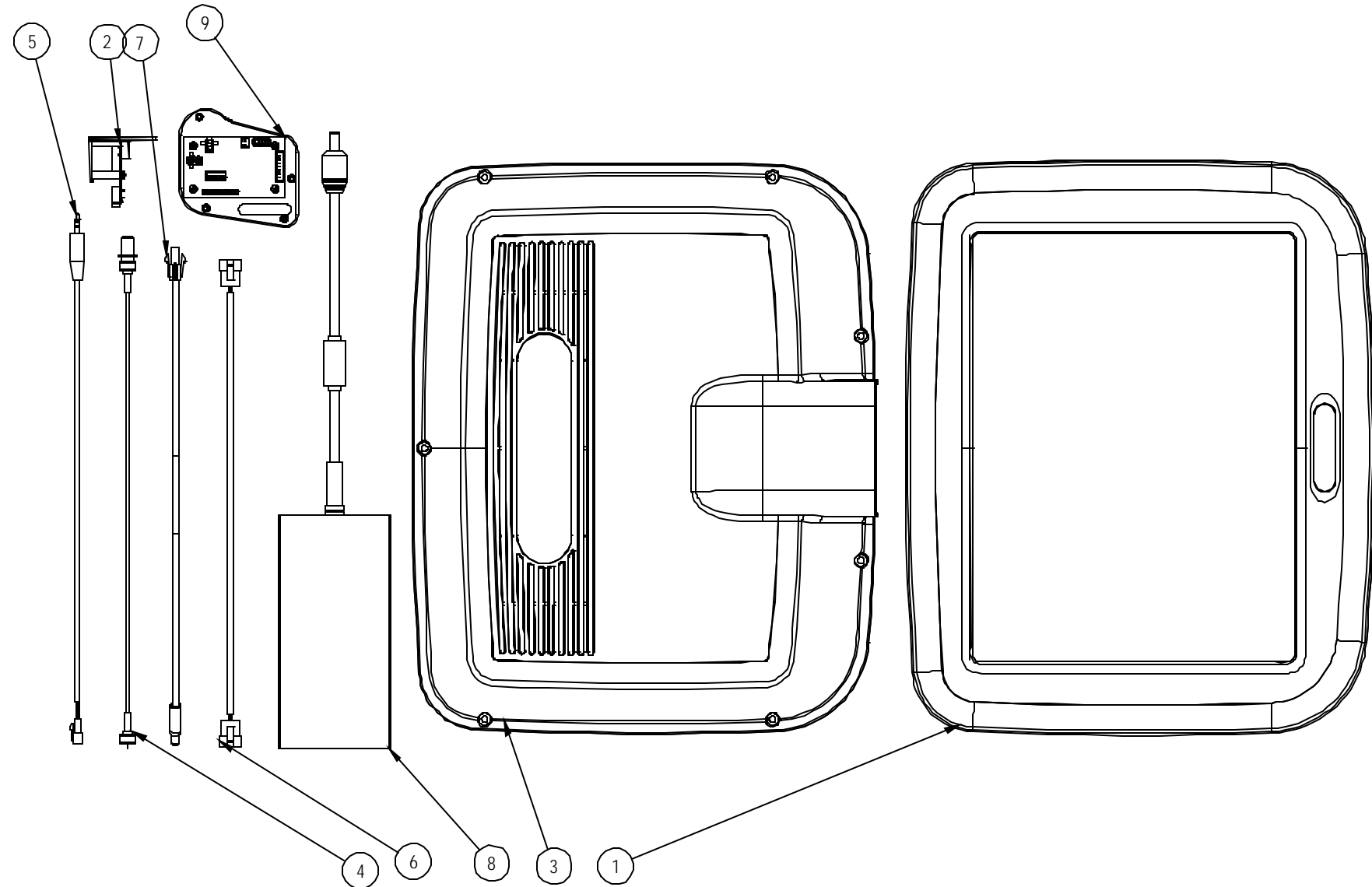


REVISIONS				
REV.	DATE	DESCRIPTION	ECO	BY
A	07-25-07	INITIAL RELEASE OF PRODUCTION	11631	SJ



ITEM NO.	PART NUMBER	Desc	QTY.
1	715-3659	ASSY, PVS SHROUD, W/ DISP COVER	1
2	740-0012	????	1
3	715-3679	ASSY, PVS SHROUD, BACK	1
4	718-5113	CABLE, ANTENNA, M-M W/ F-ADAPTER	1
5	718-5135	CABLE, HEADPHONE, S-BIKE	1
6	718-5134	CABLE, REMOTE INTERFACE PVS, S-BIKE	1
7	718-5133	CABLE, POWER PVS, S-BIKE	1
8	712-4022	ADAPTER, AC, 60W	1
9	718-5137	ASSY, CONTROLLER, CC ENT BD/KEYPAD, S-BIKE	1

NOTES:

DOCUMENT STATUS:

NOTICE OF PROPRIETARY INFORMATION
THIS DOCUMENT SHALL NOT BE REPRODUCED NOR
SHALL THE INFORMATION CONTAINED HEREIN BE
USED BY OR DISCLOSED TO OTHER EXCEPT AS
EXPRESSLY AUTHORIZED BY UNISEN

MATERIAL SEE BOM	TOLERANCES UNLESS OTHERWISE SPECIFIED X.XXX = ± .010" (0.25MM) ANGLES = ± 2° X.XX = ± .030" (0.76MM) FRACTIONS = ± 1/32 X.X = ± .050" (1.27MM) X = ± .125" (3.20)	
FINISH N/A	DRAWN SJ	DATE 05-17-07
VENDOR: N/A	CHECKED	
P/N: N/A	APPROVED	
	U.O.M.	MM

UNISEN, INC. DBA 14410 Myford Road
Irvine CA 92606

STAR TRAC

PART NO: **700-0070** REV: **A**

TITLE: **PVS KIT, BCS, S-BIKE**

SCALE: 1:5 | SHEET 1 OF 1 | SHEET SIZE: B

Grid coordinates: 9, 8, 7, 6, 5, 4, 3, 2, 1 (horizontal); J, I, H, G, F, E, D, C, B, A (vertical)