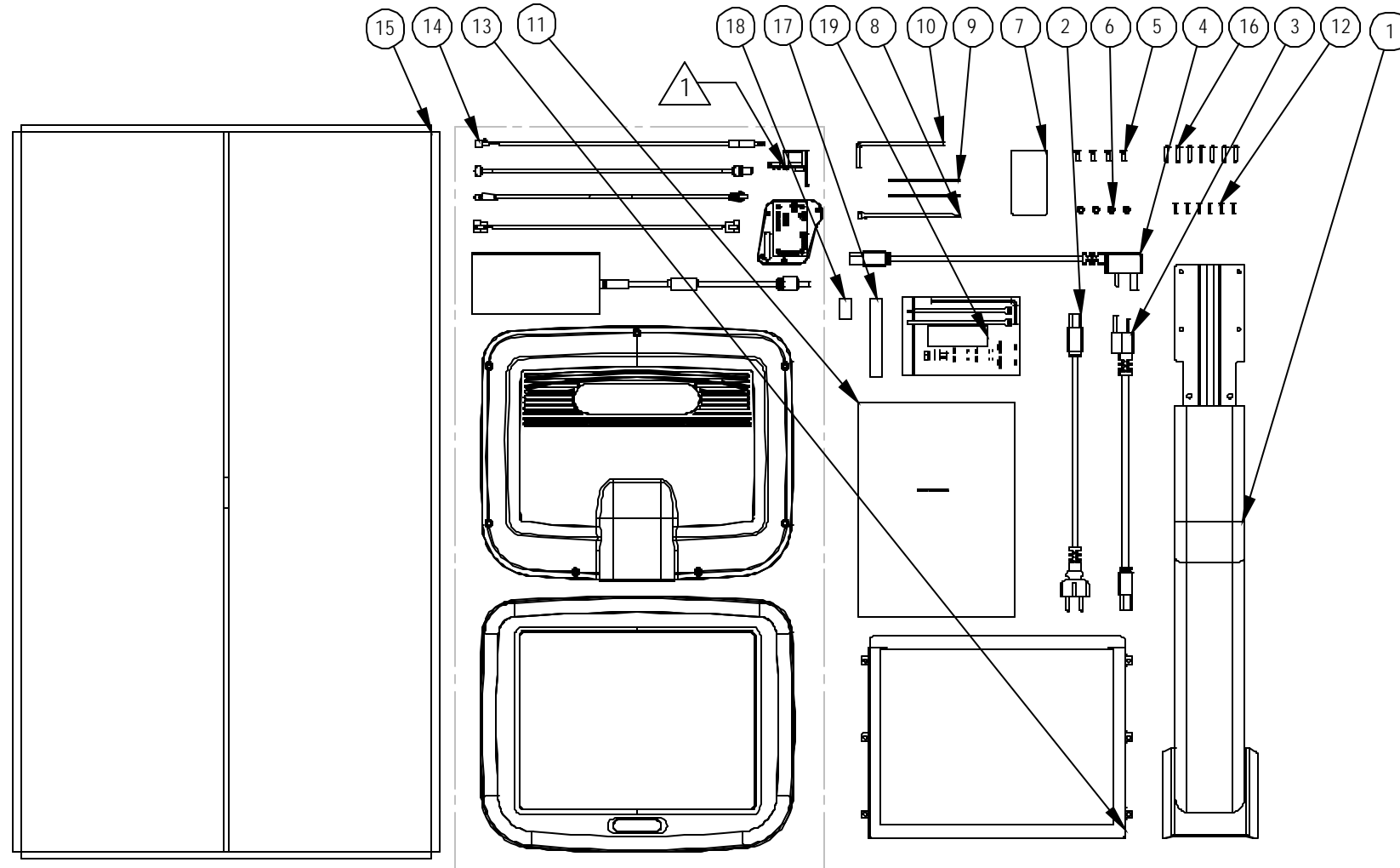


REVISIONS				
REV.	DATE	DESCRIPTION	ECO	BY
A	07-25-07	INITIAL RELEASE OF PRODUCTION	11631	SJ



ITEM NO.	PART NUMBER	Desc	Default/QTY.
1	740-2057	BRACKET, TV, UB, SPORT	1
2	220-0272	ADAPTER, CORD LINE, CEE 7/7	1
3	220-0271	ADAPTER, CORD LINE, NEMA 6-15	1
4	220-0273	ADAPTER, CORD LINE, BS 1363	1
5	110-3357	SCREW, M4 X10, SHC, HK, CS, BO, NP	4
6	120-3258	WASHER, M4, TEETH, 0.45THK	4
7	050-2070	LABEL, SERIAL, PVS KIT	1
8	140-0200	TIE STRAP, 5"	1
9	140-0210	TIE STRAP, 3.5"	2
10	290-0135	WRENCH, HEX L-KEY, 5MM	1
11	620-7691	MANUAL, PVS KIT, BCS	1
12	110-3413	SCREW, 4-24x1/2, PHT, PH, CS, FP	6
13	700-0001	PVS, LCD, 15" PAL/SECAM	1
14	700-0070	PVS KIT, BCS, S-BIKE	1
15	050-2102	PACKAGE, PVS, S-BIKE	1
16	110-3402	SCREW, M4x0.7x19L, PHT, PH, CS, BZ	7
17	140-0490	TAPE, VELCRO HOOKS	.33ft
18	140-0492	TAPE, VELCRO LOOPS	.08ft
19	700-0045	HARDWARE KIT, E-ST/UB/RB/TBT PAL/SECAM	1

**NOTES:**

1 WRAP WITH BUBBLE WRAP PRIOR TO PACKAGING.

**DRAWING PACKAGE SUMMARY:**

- SHEET 1 : PARTS
- SHEET 2 : WIRE CONNECTION TO PVS
- SHEET 3 : VELCRO ASSEMBLY FOR HEAPHONE PLUG
- SHEET 4 : PVS ASSEMBLY
- SHEET 5 : PACKAGING ASSEMBLY

**DOCUMENT STATUS:**

NOTICE OF PROPRIETARY INFORMATION  
THIS DOCUMENT SHALL NOT BE REPRODUCED NOR  
SHALL THE INFORMATION CONTAINED HEREIN BE  
USED BY OR DISCLOSED TO OTHER EXCEPT AS  
EXPRESSLY AUTHORIZED BY UNISEN

**MATERIAL**  
SEE BOM

**FINISH**  
N/A

**VENDOR:** N/A

**P/N:** N/A

**TOLERANCES UNLESS OTHERWISE SPECIFIED**

X.XXX = ± .010" (0.25MM) ANGLES = ± 2°  
 X.XX = ± .030" (0.76MM) FRACTIONS = ± 1/32  
 X.X = ± .050" (1.27MM)  
 X = ± .125" (3.20)

**UNISEN, INC. DBA**



14410 Myford Road  
Irvine CA 92606

DRAWN	INITIAL	DATE
	SJ	05-09-07
CHECKED		
APPROVED		

PART NO **700-0066** REV **A**

TITLE **PVS KIT, PAL/SECAM, S-UBx**

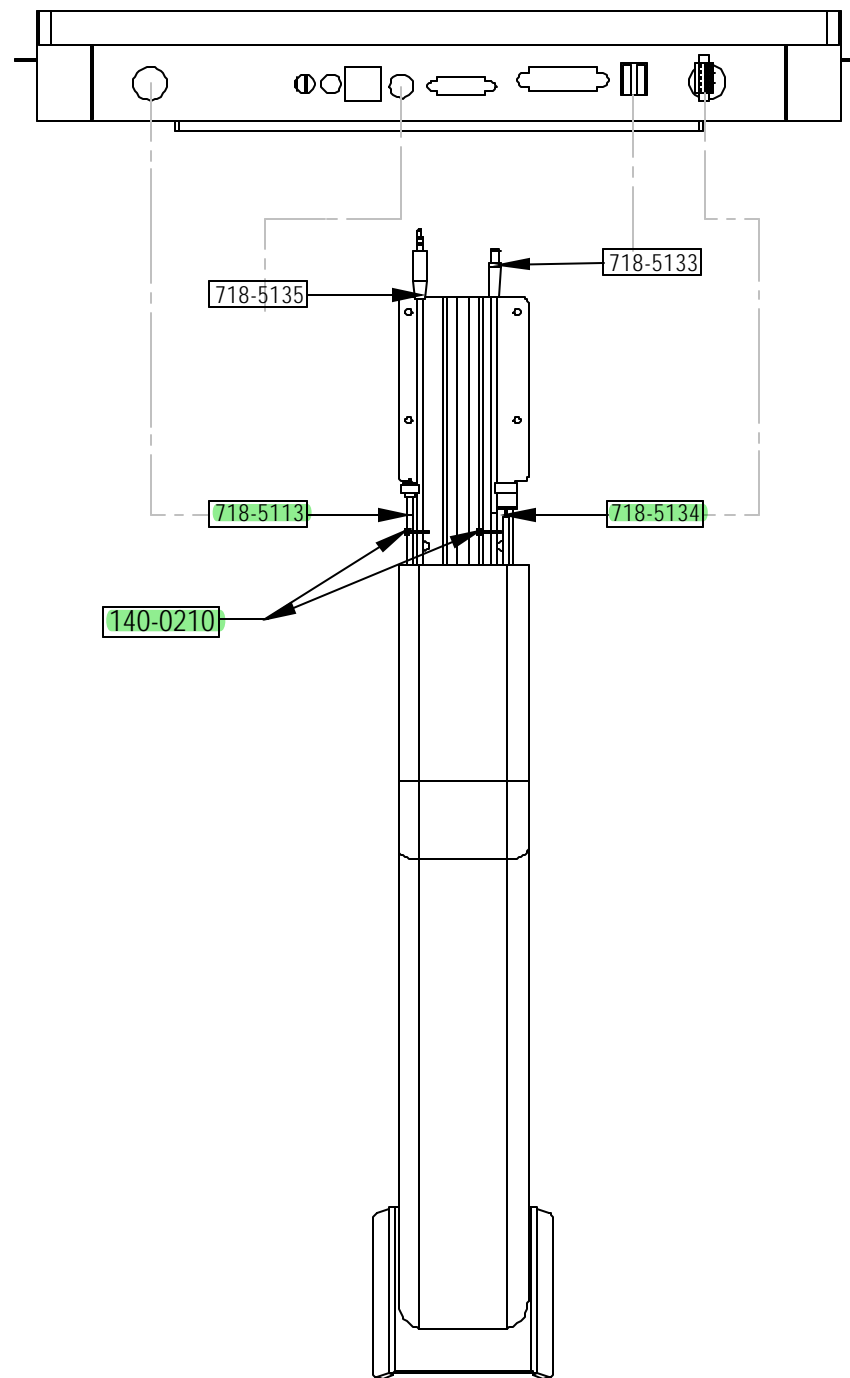
U.O.M. MM

SCALE: 1:10 | SHEET 1 OF 5 | SHEET SIZE: B

9 8 7 6 5 4 3 2 1

NOTE:

1. USE TIE STRAPS (140-0210) TO SECURE CABLES ONTO WELDMENT USING EXISTING HOLES. (APPROX. AS SHOWN, AFTER ATTACHING PVS)
2. REFER TO 700-0070 DRAWING FOR CABLE DESCRIPTIONS.



NOTE:

INSTALL GROMMET ONTO DISPLAY CAP PRIOR TO INSTALLING ONTO WELDMENT. ORIENTATION DOES MATTER AND BOTTOM FRONT EDGE OF GROMMET SHOULD FACE FRONT END OF DISPLAY.

UNISEN, INC. DBA		14410 Myford Road Irvine CA 92606	
PART NO	700-0066	REV	A
TITLE PVS KIT, PAL/SECAM, S-UBx			
SCALE: 1:10	SHEET 2 OF 5	SHEET SIZE: B	

9 8 7 6 5 4 3 2 1

9 8 7 6 5 4 3 2 1

NOTE:

1 CLEAN NON-TEXTURED SURFACE WITH ISOPROPYL ALCOHOL BEFORE APPLYING LABEL.

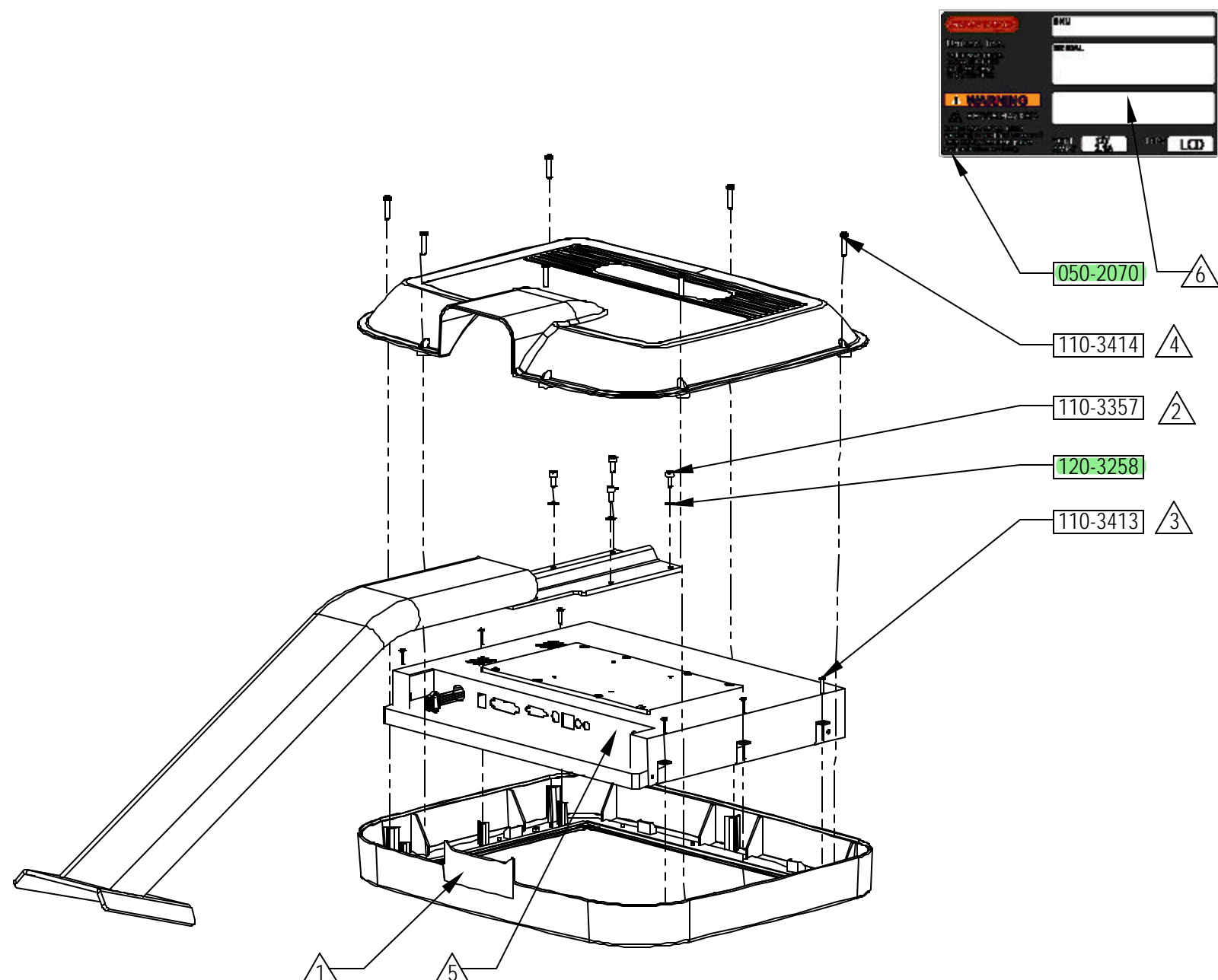
2 TORQUE M4 SCREW DOWN TO 4.5 N-m (40 lb-in)

3 TORQUE #4 SCREW DOWN TO 0.7-0.9 N-m (6-8 lb-in)

4 TORQUE #8 SCREW DOWN TO 1.5-1.9 N-m (13-17 lb-in)

5 REMOVE PROTECTIVE FILM PRIOR TO ASSEMBLY

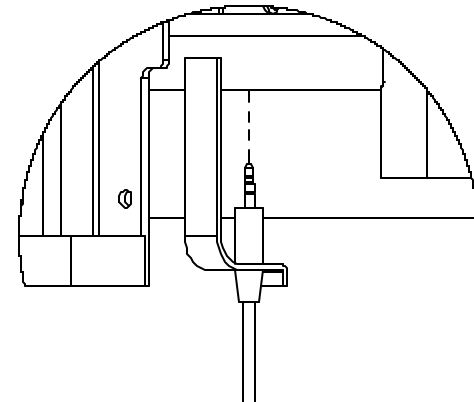
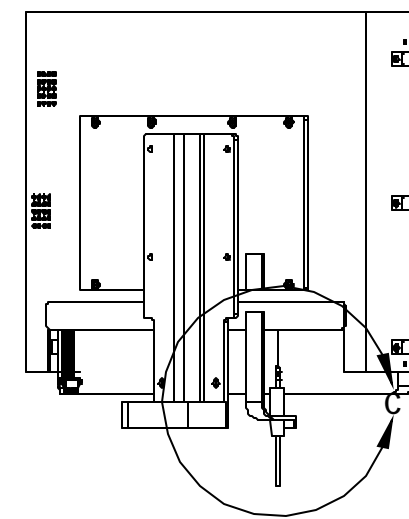
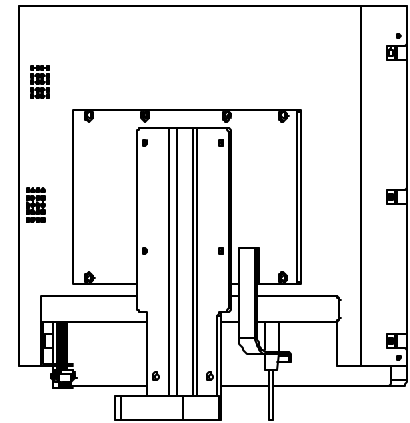
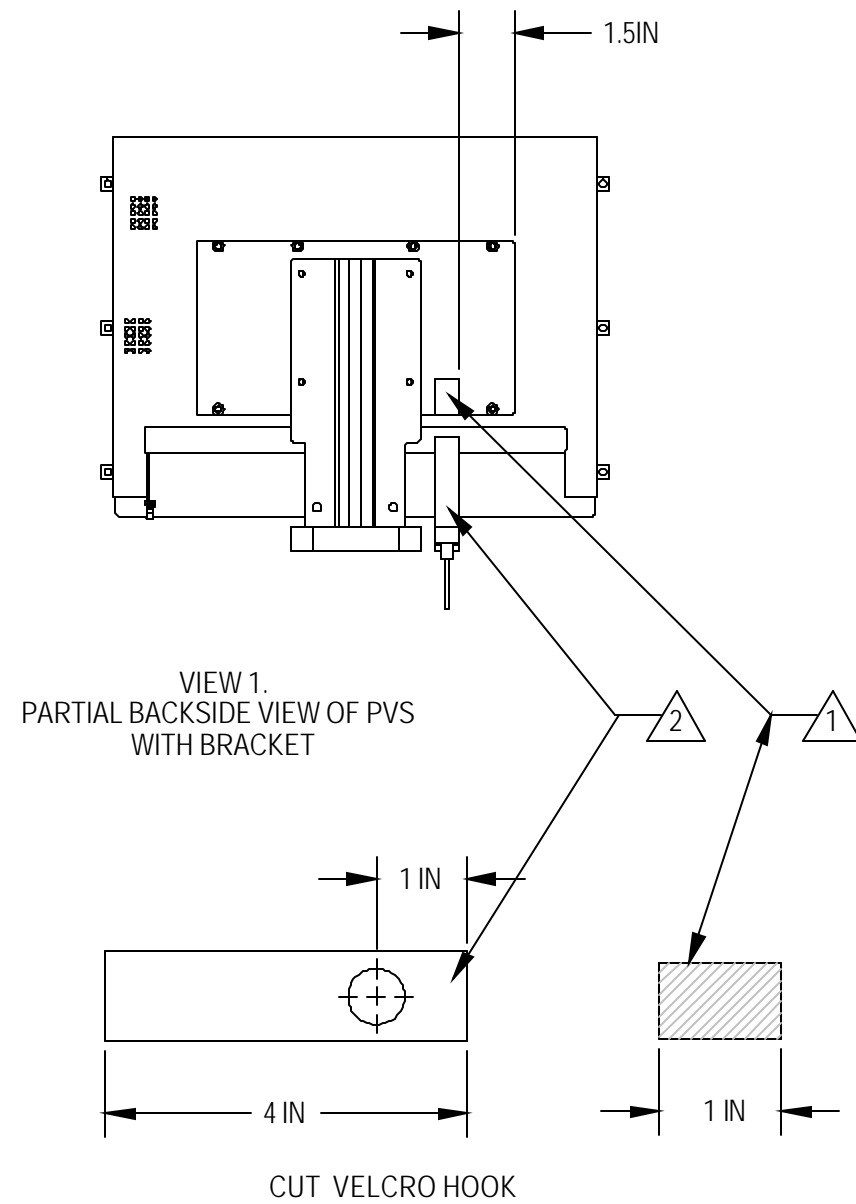
6 PLACE BARCODE FROM PART 700-0001 ON PART 050-2070 IN APPROPRIATE BOX.



A

UNISEN, INC. DBA		14410 Myford Road	
		Irvine CA 92606	
PART NO	700-0066	REV	A
TITLE <b>PVS KIT, PAL/SECAM, S-UBx</b>			
SCALE: 1:10	SHEET 3 OF 5	SHEET SIZE: B	

9 8 7 6 5 4 3 2 1



NOTE:

- 1 CUT VELCRO HOOK WITH ADHESIVE BACK TO A LENGTH OF 1 INCH. STICK VELCRO HOOK RESPECTIVELY AS SHOWN.
  - 2 CUT VELCRO LOOP WITH PLAIN BACK TO A LENGTH OF 4" AND PUNCH OUT A 5/8" HOLE. FEED HEADPHONE JACK PLUG THROUGH THE HOLE ALL THE WAY TO THE BOTTOM OF THE PLUG. CONNECT HEADPHONE JACK PLUG INTO THE CORRECT PVS CONNECTION AND FIRMLY SECURE SECURE LOOP ONTO HOOK (REFER TO VIEW 2).
- WARNING: DO NOT APPLY TOO MUCH TENSION WHEN APPLYING LOOP ONTO HOOK, MAY CAUSE AUDIO TO DROP-OUT.

UNISEN, INC. DBA		14410 Myford Road Irvine CA 92606	
PART NO	700-0066	REV	A
TITLE <b>PVS KIT, PAL/SECAM, S-UBx</b>			
SCALE: 1:10	SHEET 4 OF 5	SHEET SIZE: B	

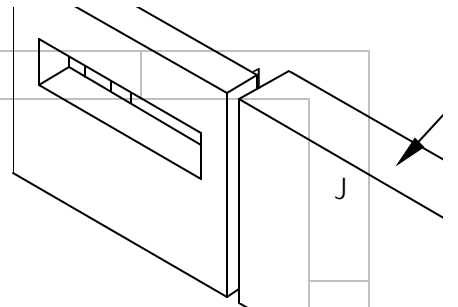
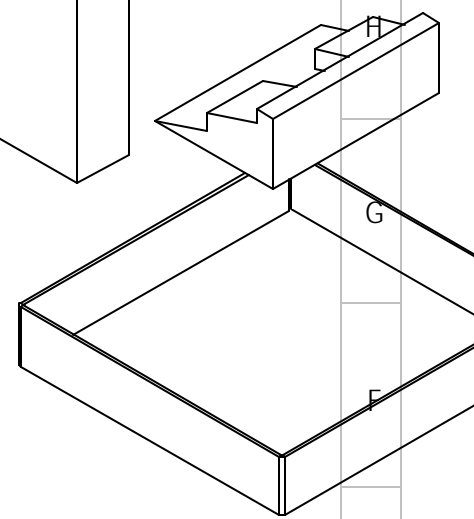
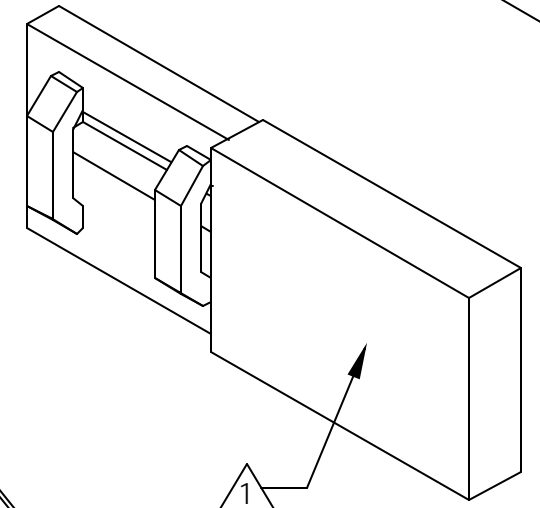
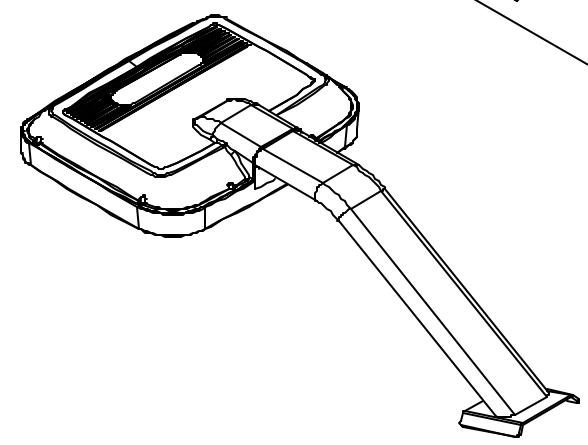
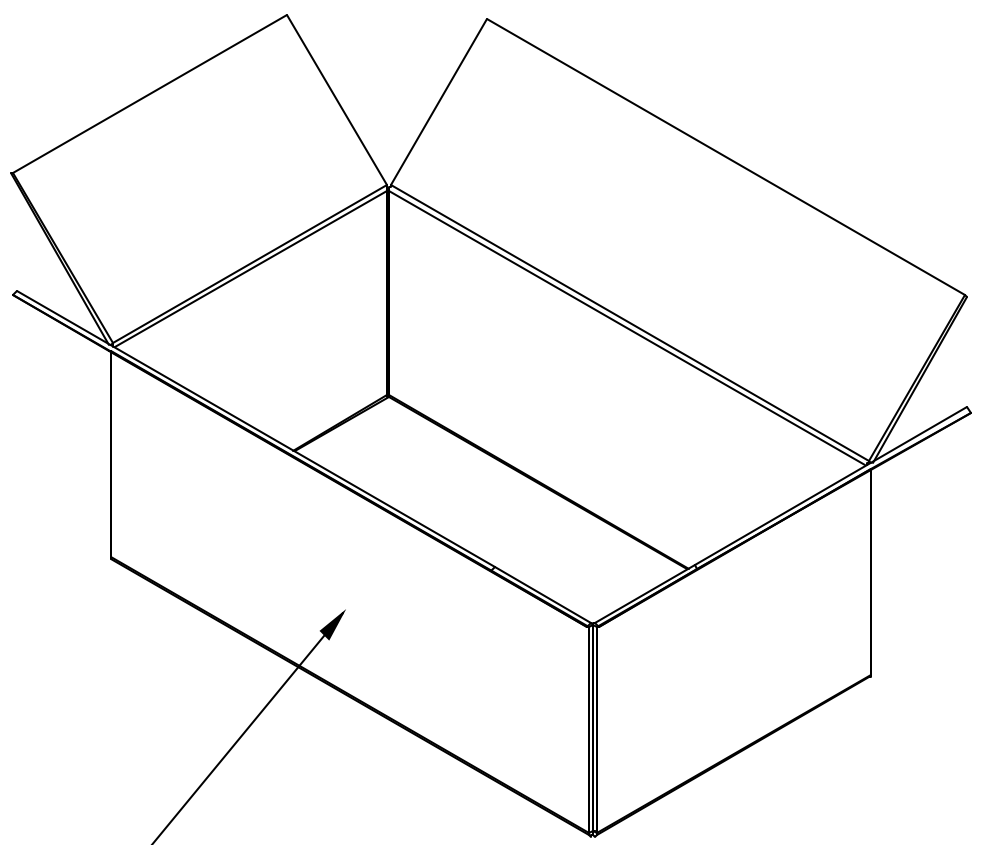


9 8 7 6 5 4 3 2

NOTE:

- ① CONTENTS TO PLACE INSIDE CARTON ARE: 620-7691, 700-0059, 718-5098, & 718-5137.
- ② CONTENTS TO PLACE INSIDE CARTON ARE: 220-0271, 220-0272, 220-0273, & 712-4022
- ③ PLACE EXTRA BARCODE FROM THE BACK OF THE PVS ONTO PACKING SERIAL LABEL.

J  
I  
H  
G  
F  
E  
D  
C  
B  
A



<b>UNISEN, INC. DBA</b>		14410 Myford Road Irvine CA 92606	
PART NO	<b>700-0066</b>	REV	<b>A</b>
TITLE	<b>PVS KIT, PAL/SECAM, S-UBx</b>		
SCALE: 1:10		SHEET 5 OF 5	SHEET SIZE: B

9 8 7 6 5 4 3 2 1