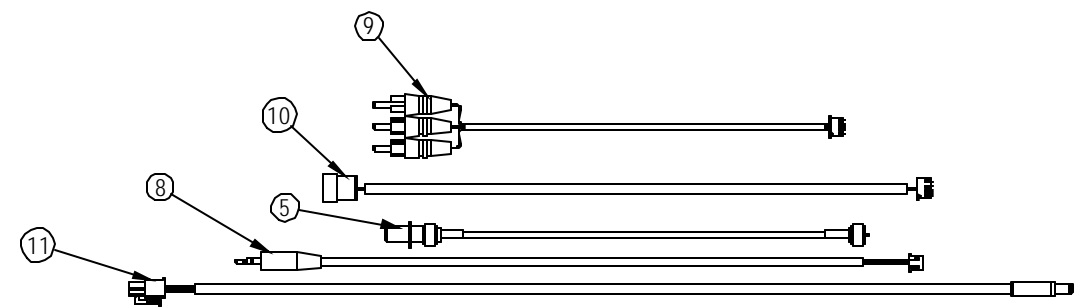
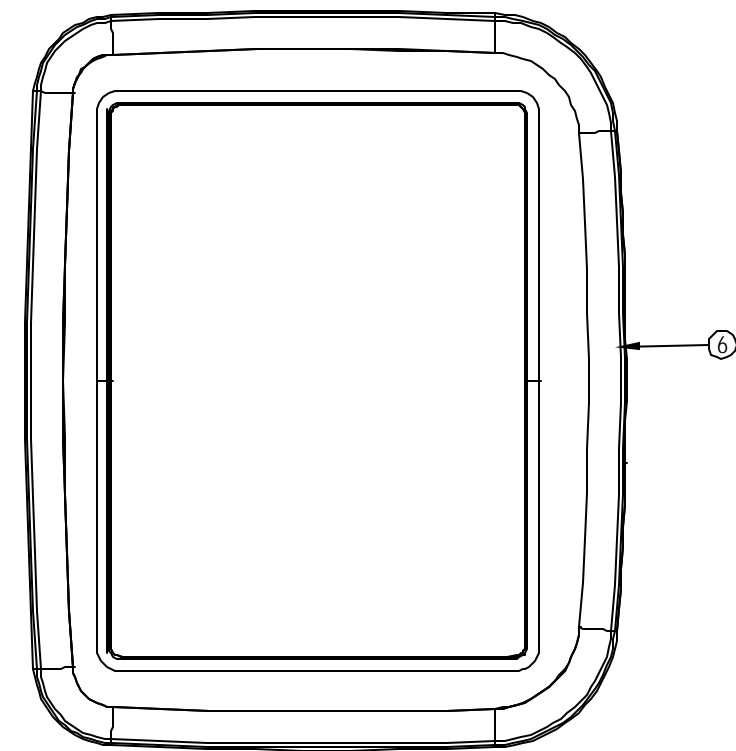
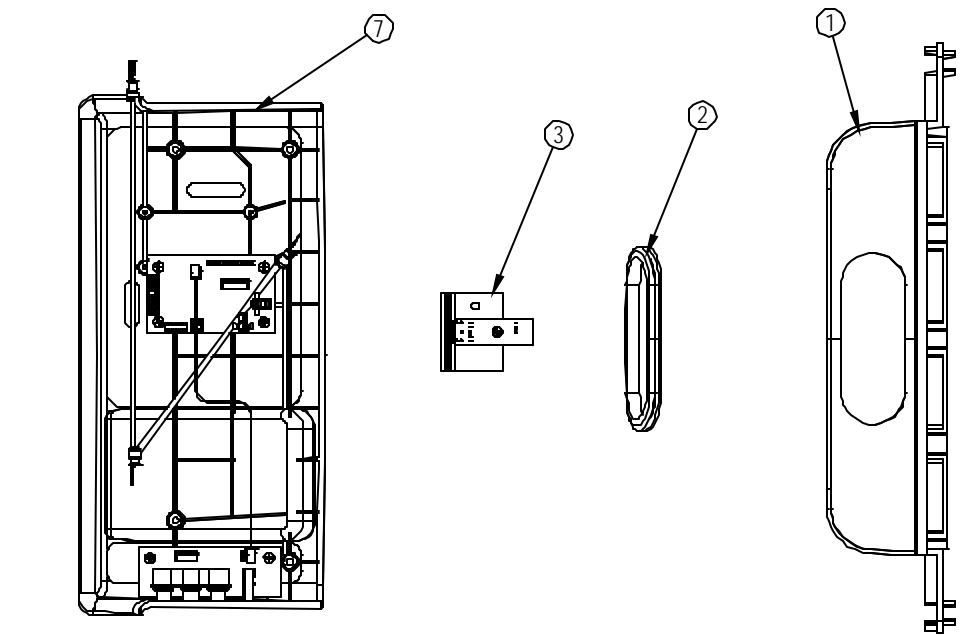
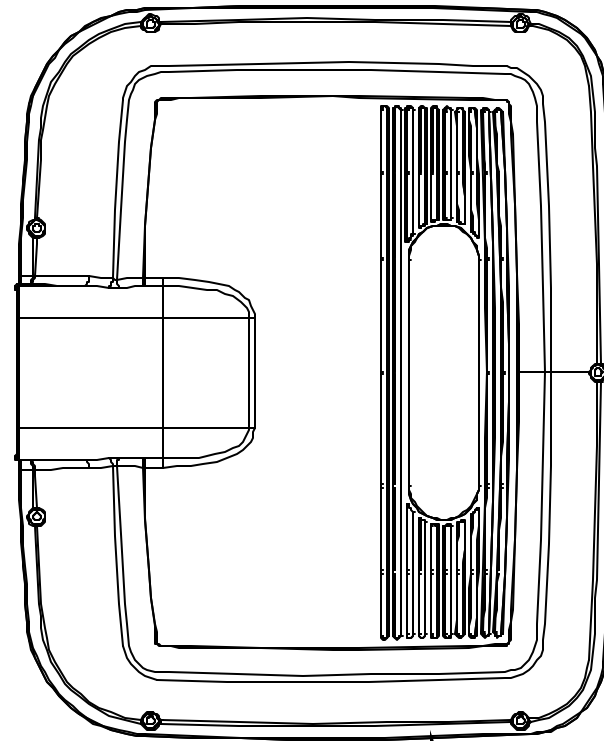


| REVISIONS | | | | |
|-----------|----------|--------------------|-------|-----|
| REV. | DATE | DESCRIPTION | ECO | BY |
| A | 03-21-07 | PRODUCTION RELEASE | 11559 | NMB |



| ITEM NO. | PART NUMBER | DESCRIPTION | Default/ QTY. |
|----------|-------------|---------------------------------|---------------|
| 1 | 020-7085 | DISPLAY CAP, PVS, E-TR | 1 |
| 2 | 020-7098 | DISPLAY CAP GROMMET,PVS, E-TR | 1 |
| 3 | 715-3668 | ASSY, HEADPHONE JACK, E-TR | 1 |
| 4 | 715-3679 | ASSY, PVS SHROUD, BACK | 1 |
| 5 | 718-5129 | CABLE, ANTENNA, E-TR | 1 |
| 6 | 715-3659 | ASSY, PVS SHROUD, W/ DISP COVER | 1 |
| 7 | 715-3667 | ASSY, CENTER CONSOLE, E-TR | 1 |
| 8 | 718-5114 | CABLE, HEADPHONE | 1 |
| 9 | 718-5115 | CABLE, AUDIO/VIDEO | 1 |
| 10 | 718-5116 | CABLE, REMOTE INTERFACE, PVS | 1 |
| 11 | 718-5117 | CABLE, POWER, PVS | 1 |

NOTES:

**DOCUMENT STATUS:
RELEASE**

NOTICE OF PROPRIETARY INFORMATION
THIS DOCUMENT SHALL NOT BE REPRODUCED NOR
SHALL THE INFORMATION CONTAINED HEREIN BE
USED BY OR DISCLOSED TO OTHER EXCEPT AS
EXPRESSLY AUTHORIZED BY UNISEN

| | |
|------------------------------------|--|
| MATERIAL SEE BOM | <small>TOLERANCES UNLESS OTHERWISE SPECIFIED X.XXX = ± .010" (0.25MM) ANGLES = ± 2° X.XX = ± .030" (0.76MM) FRACTIONS = ± 1/32 X.X = ± .050" (1.27MM) X = ± .125" (3.20)</small> |
| FINISH N/A | |
| VENDOR: N/A P/N: N/A | |

| | | | |
|-----------------------------|------------------|--------------------------------------|------------------------------|
| UNISEN, INC. DBA | | 14410 Myford Road Irvine CA 92606 | |
| PART NO 700-0055 | REV A | TITLE PVS KIT, E-TR | |
| DRAWN NMB | DATE 03/16/07 | SCALE: 1:20 | SHEET 1 OF 1 SHEET SIZE: B |