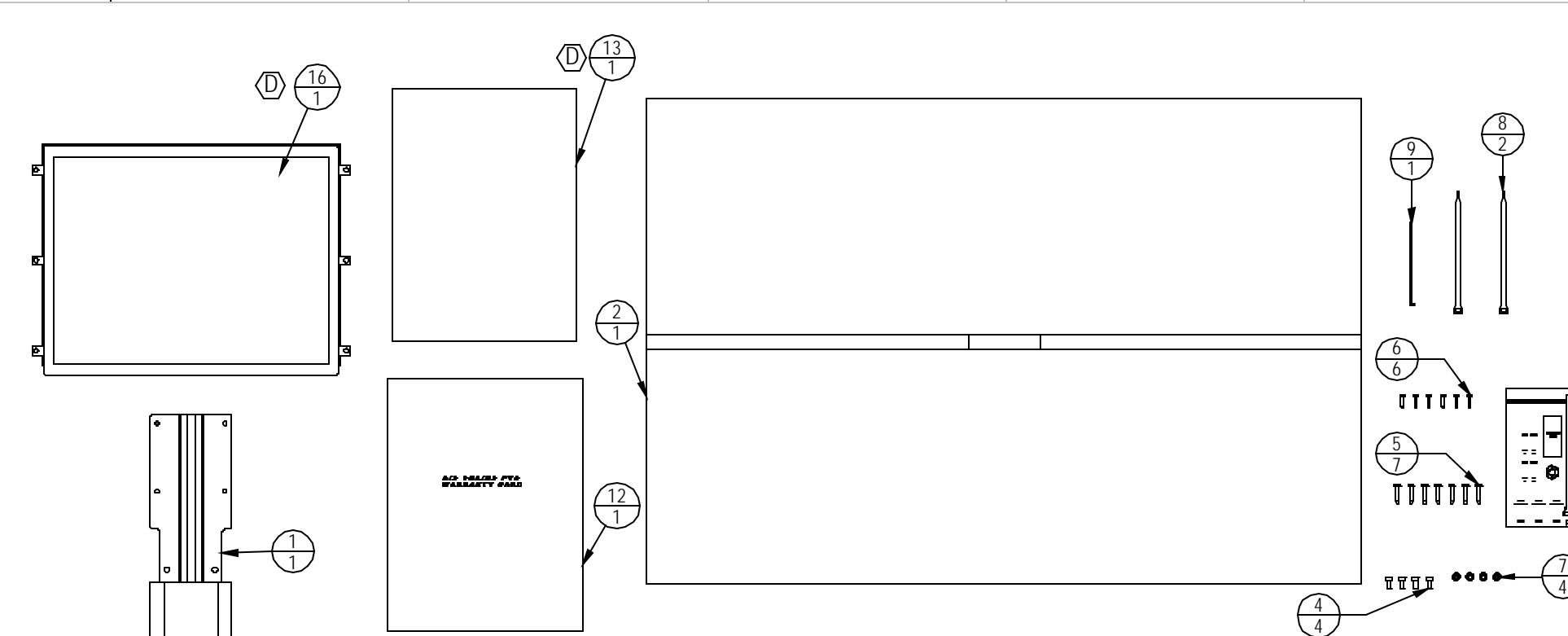
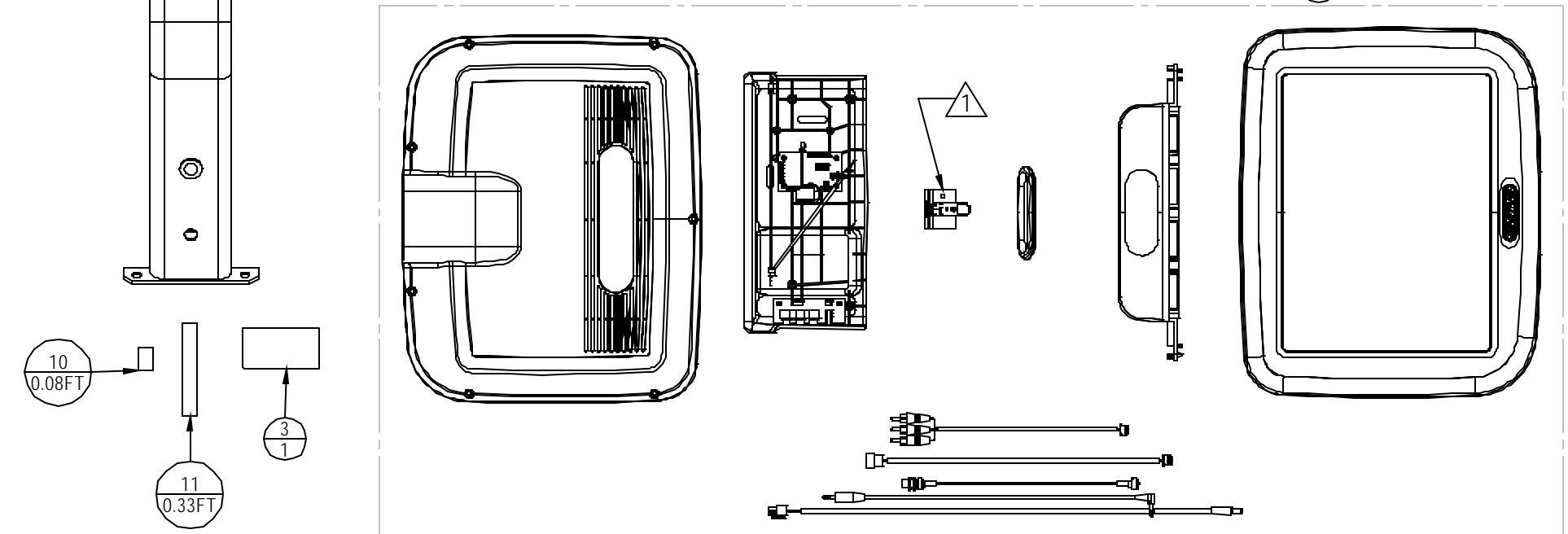


9 8 7 6 5 4 3 2 1



REVISIONS				
REV.	DATE	DESCRIPTION	ECO	BY
A	03-21-07	PRODUCTION RELEASE	11559	NMB
B	05-23-07	ADDED HARDWARE KIT 700-0035, CHANGED 110-3414 QTY FROM 11 TO 7, CHANGED 140-0210 QTY FROM 3 TO 1, ADDED BITMAP PICTURE OF PVS CONN. STICKER ON SHEET 2, CHANGED 2ND NOTE ON SHEET 2, ADDED DRAWING SHEET TO SHOW PACKAGING ASSY., AND ADDED DRAWING SHEET TO SHOW VELCRO ASSEMBLY FOR HEADPHONE SUPPORT.	11606	NMB
C	06-27-07	REPLACED 110-3414 WITH 110-3402. ADDED 140-3425, 140-0490, AND 620-7733. ADDED NOTE 3 TO SHEET 3. CHANGED NOTE 5 ON SHEET 4 TO REFLECT NEW SCREW 110-3402. ADDED NOTE 7 ON SHEET 4. REMOVED BARCODE NOTES ON SHEETS 4 & 5. ADDED NOTE 1 ON SHEET 5.	11658	NMB
D	02-06-08	REPLACE P/N: 620-7691 WITH 620-7837 700-0003 WITH 700-0094	11808	AK



NOTES:
 1 WRAP WITH BUBBLE WRAP PRIOR TO PACKAGING.

- DRAWING PACKAGE SUMMARY:
- SHEET 1 : PARTS
 - SHEET 2 : WIRE CONNECTION TO PVS
 - SHEET 3 : VELCRO ASSEMBLY FOR HEAPHONE PLUG
 - SHEET 4 : PVS ASSEMBLY
 - SHEET 5 : PACKAGING ASSEMBLY

**DOCUMENT STATUS:
RELEASE**

NOTICE OF PROPRIETARY INFORMATION
 THIS DOCUMENT SHALL NOT BE REPRODUCED NOR
 SHALL THE INFORMATION CONTAINED HEREIN BE
 USED BY OR DISCLOSED TO OTHER EXCEPT AS
 EXPRESSLY AUTHORIZED BY UNISEN

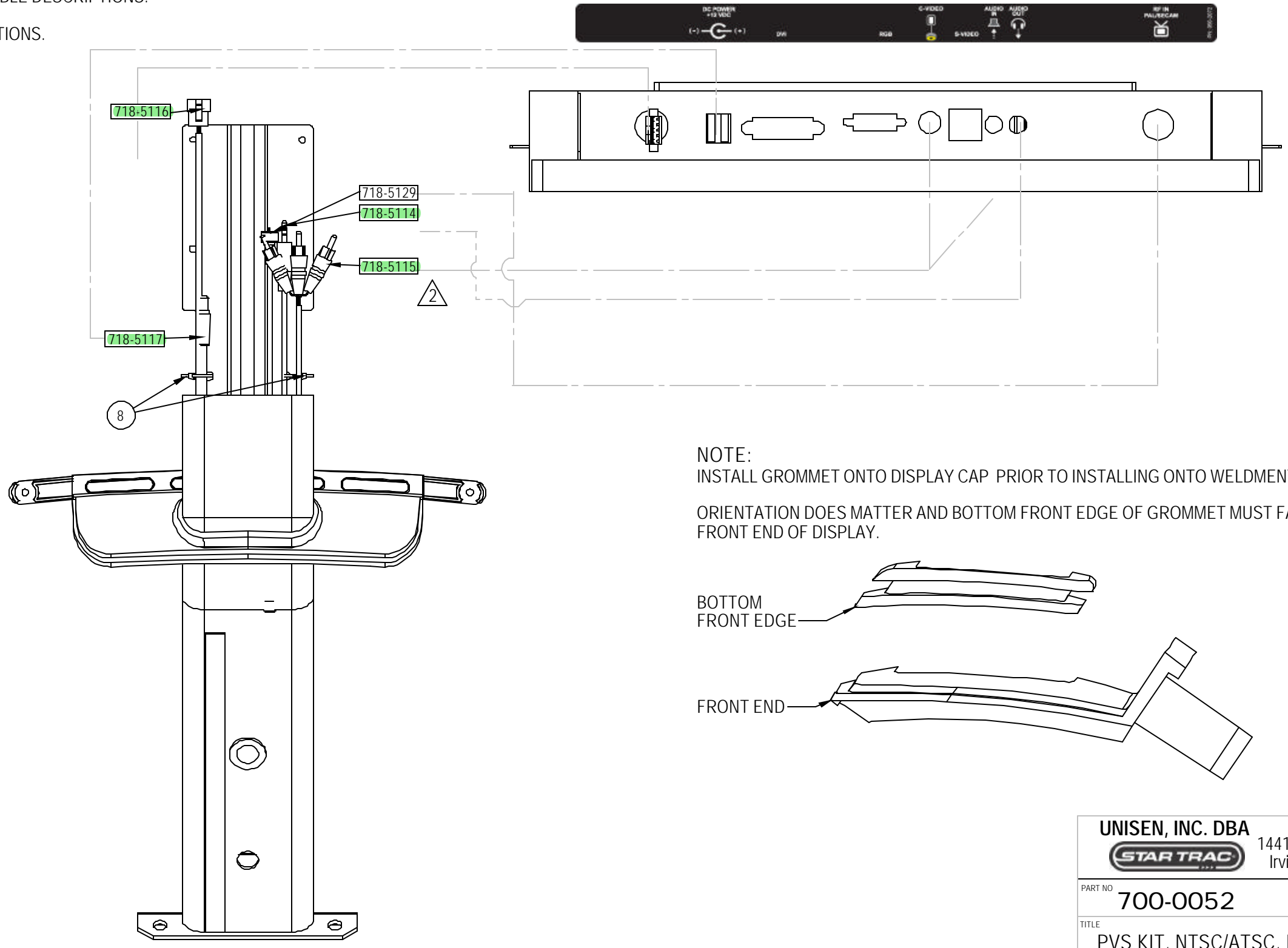
ITEM NO.	PART NO	DESCRIPTION	PRINT/ QTY.
1	020-7049	WELDMENT, PVS NECK, E-TR	1
2	050-2061	PACKAGE, PVS	1
3	050-2070	LABEL, SERIAL, PVS KIT	1
4	110-3357	SCREW, M4 X10, SHC, HK, CS, BO, NP	4
5	110-3402	SCREW, M4x0.7x19L,PHT,PH,CS,BZ	7
6	110-3413	SCREW, 4-24x1/2, PHT, PH, CS, FP	6
7	120-3258	WASHER, M4, TEETH, 0.45THK	4
8	140-0200	TIE STRAP, 5"	2
9	140-0210	TIE STRAP, 3.5"	1
10	140-0490	TAPE, VELCRO HOOKS	0.08FT
11	140-3425	VELCRO LOOPS, PLAIN BACKED, 5/8"	0.33FT
12	620-7733	DOC., WARRANTY, E/S SERIES PVS	1
13	620-7837	MANUAL, OWRS, E-PVS KIT, 2ND ED	1
14	700-0035	HARDWARE KIT, E-TR NTSC/ATSC	1
15	700-0055	PVS KIT, E-TR	1
16	700-0094	OFTV, UT-S150D-VA-4,15"LCD,ATSC	1

MATERIAL SEE BOM	TOLERANCES UNLESS OTHERWISE SPECIFIED X.XXX = ± .010" (0.25MM) ANGLES = ± 2° X.XX = ± .030" (0.76MM) FRACTIONS = ± 1/32 X.X = ± .050" (1.27MM) X = ± .125" (3.20)
FINISH N/A	UNISEN, INC. DBA 14410 Myford Road Irvine CA 92606
VENDOR: N/A	P/N: N/A


STAR TRAC	UNISEN, INC. DBA
14410 Myford Road Irvine CA 92606	
PART NO 700-0052	REV D
TITLE PVS KIT, NTSC/ATSC, E-TR	
NOT TO SCALE SHEET 1 OF 5 SHEET SIZE: B	

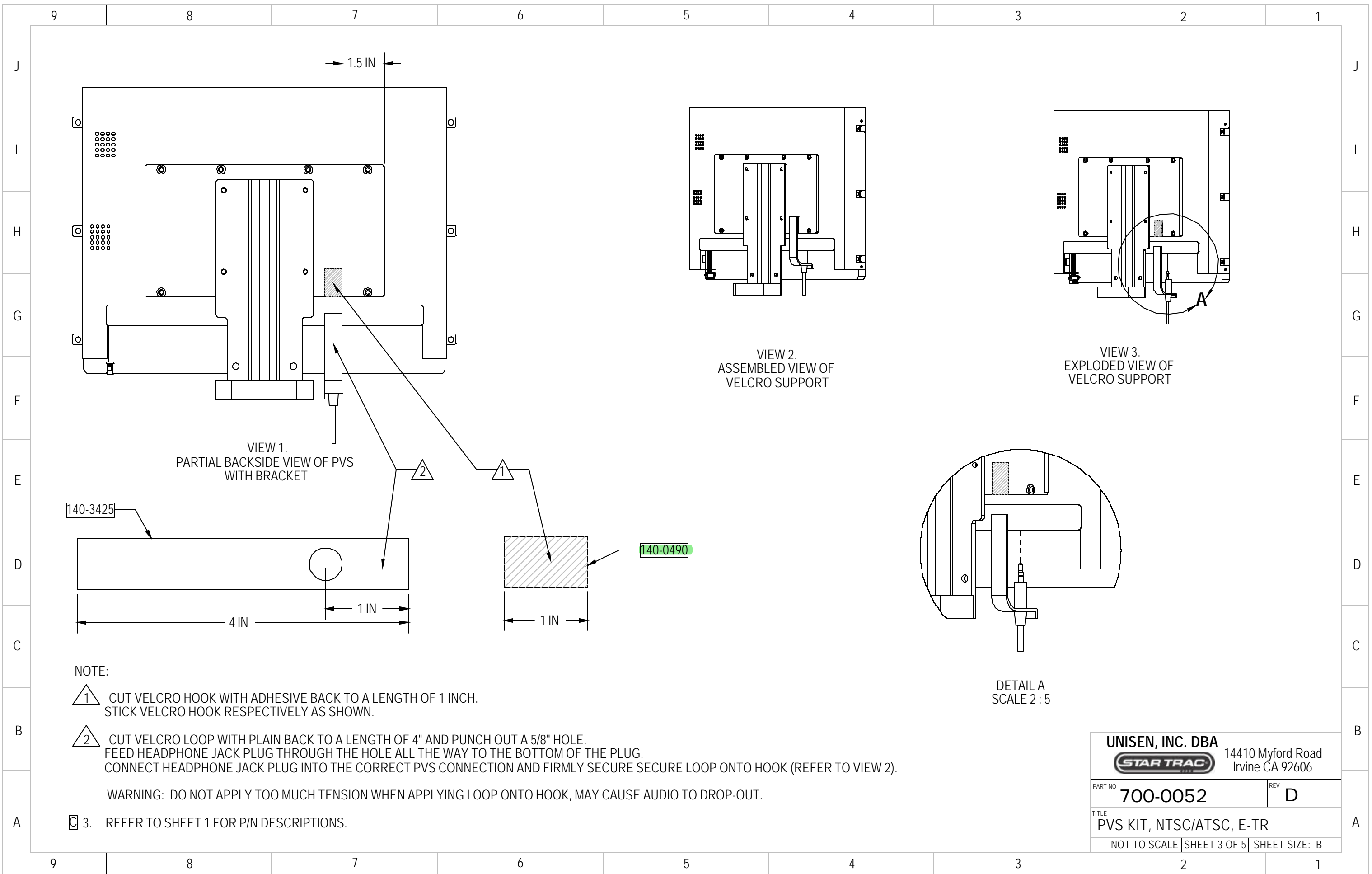
9 8 7 6 5 4 3 2 1

- NOTE:
1. USE TIE STRAPS (140-0200) TO SECURE CABLES ONTO WELDMENT USING EXISTING HOLES. (AFTER ATTACHING CABLES TO PVS)
 2. REFER TO 700-0055 DRAWING FOR CABLE DESCRIPTIONS.
 3. REFER TO SHEET 1 FOR P/N DESCRIPTIONS.



NOTE:
 INSTALL GROMMET ONTO DISPLAY CAP PRIOR TO INSTALLING ONTO WELDMENT.
 ORIENTATION DOES MATTER AND BOTTOM FRONT EDGE OF GROMMET MUST FACE FRONT END OF DISPLAY.

UNISEN, INC. DBA  14410 Myford Road Irvine CA 92606	
PART NO	700-0052
REV	D
TITLE	
PVS KIT, NTSC/ATSC, E-TR	
NOT TO SCALE SHEET 2 OF 5 SHEET SIZE: B	



NOTE:

- 1 CUT VELCRO HOOK WITH ADHESIVE BACK TO A LENGTH OF 1 INCH. STICK VELCRO HOOK RESPECTIVELY AS SHOWN.
- 2 CUT VELCRO LOOP WITH PLAIN BACK TO A LENGTH OF 4" AND PUNCH OUT A 5/8" HOLE. FEED HEADPHONE JACK PLUG THROUGH THE HOLE ALL THE WAY TO THE BOTTOM OF THE PLUG. CONNECT HEADPHONE JACK PLUG INTO THE CORRECT PVS CONNECTION AND FIRMLY SECURE SECURE LOOP ONTO HOOK (REFER TO VIEW 2).

WARNING: DO NOT APPLY TOO MUCH TENSION WHEN APPLYING LOOP ONTO HOOK, MAY CAUSE AUDIO TO DROP-OUT.

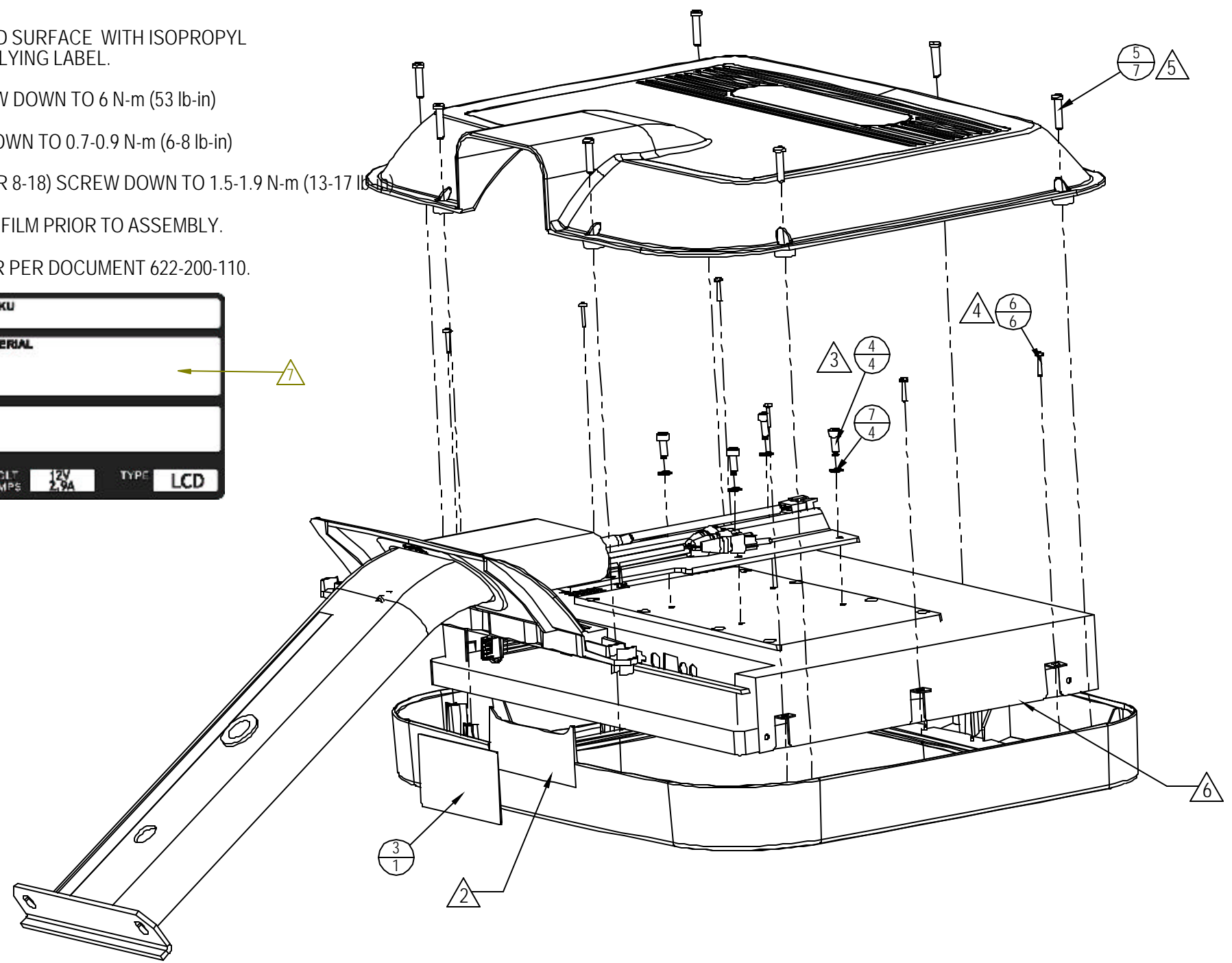
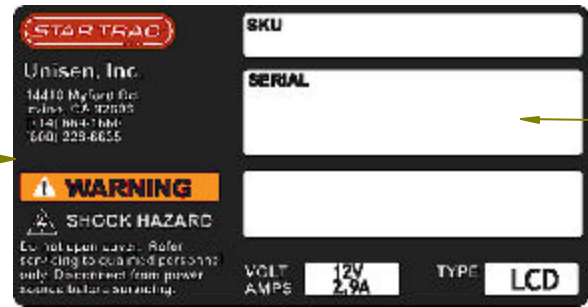
- 3 REFER TO SHEET 1 FOR P/N DESCRIPTIONS.

UNISEN, INC. DBA 		14410 Myford Road Irvine CA 92606	
PART NO	700-0052	REV	D
TITLE PVS KIT, NTSC/ATSC, E-TR			
NOT TO SCALE SHEET 3 OF 5 SHEET SIZE: B			

9 8 7 6 5 4 3 2 1

NOTE:

- 1. REFER TO BOM ON SHEET 1 FOR BALLOON REFERENCE.
- 2. CLEAN NON-TEXTURED SURFACE WITH ISOPROPYL ALCOHOL BEFORE APPLYING LABEL.
- 3. TORQUE M4x10 SCREW DOWN TO 6 N-m (53 lb-in)
- 4. TORQUE #4 SCREW DOWN TO 0.7-0.9 N-m (6-8 lb-in)
- 5. TORQUE M4x0.7x19 (OR 8-18) SCREW DOWN TO 1.5-1.9 N-m (13-17 lb-in)
- 6. REMOVE PROTECTIVE FILM PRIOR TO ASSEMBLY.
- 7. PRINT SERIAL NUMBER PER DOCUMENT 622-200-110.



UNISEN, INC. DBA		14410 Myford Road Irvine CA 92606	
PART NO	700-0052	REV	D
TITLE PVS KIT, NTSC/ATSC, E-TR			
NOT TO SCALE SHEET 4 OF 5 SHEET SIZE: B			

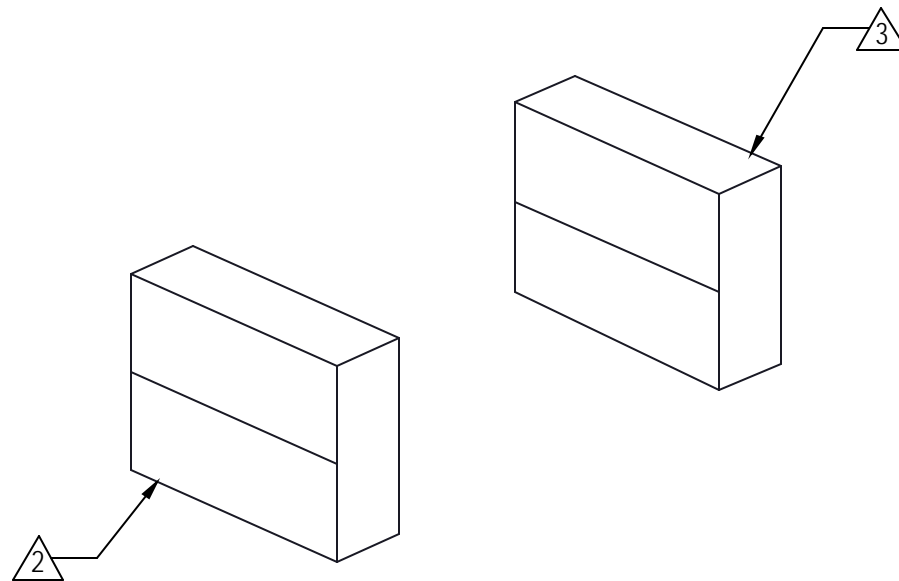
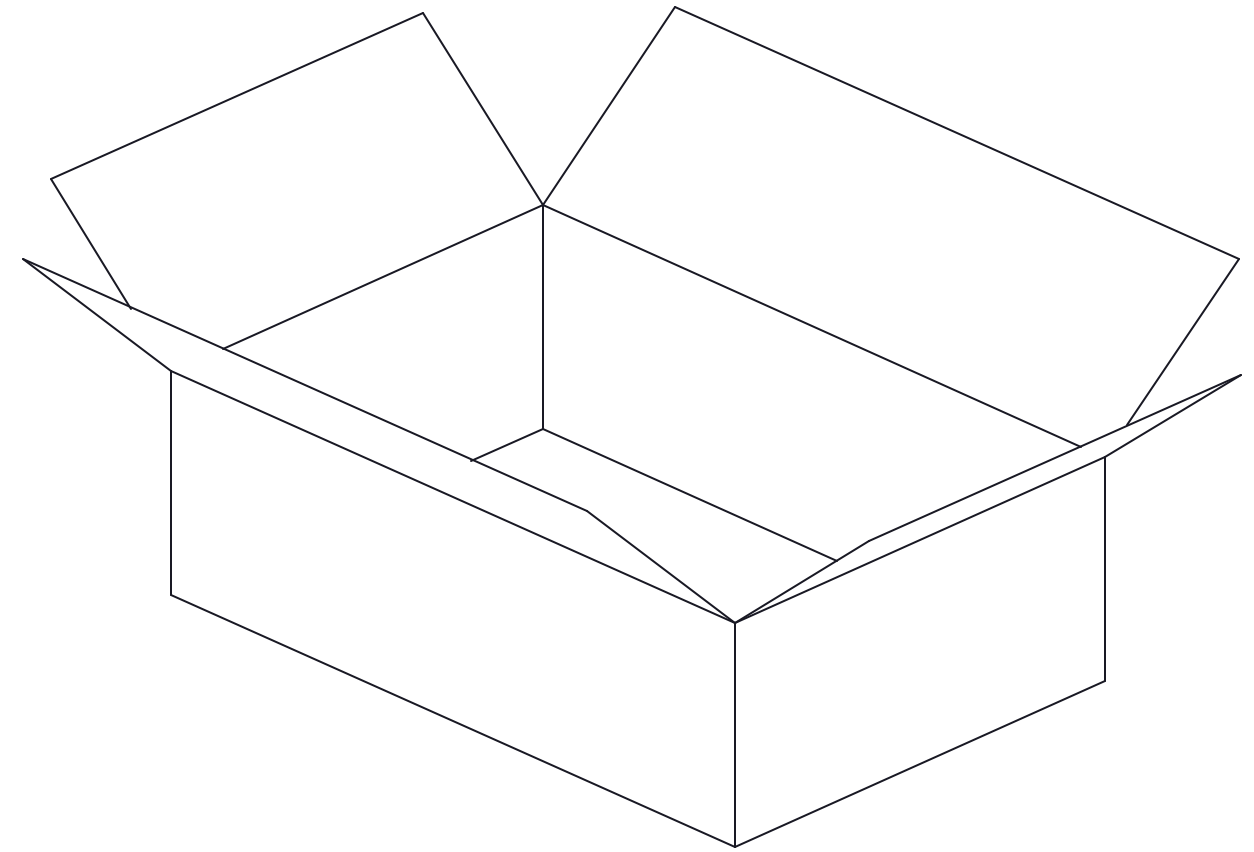
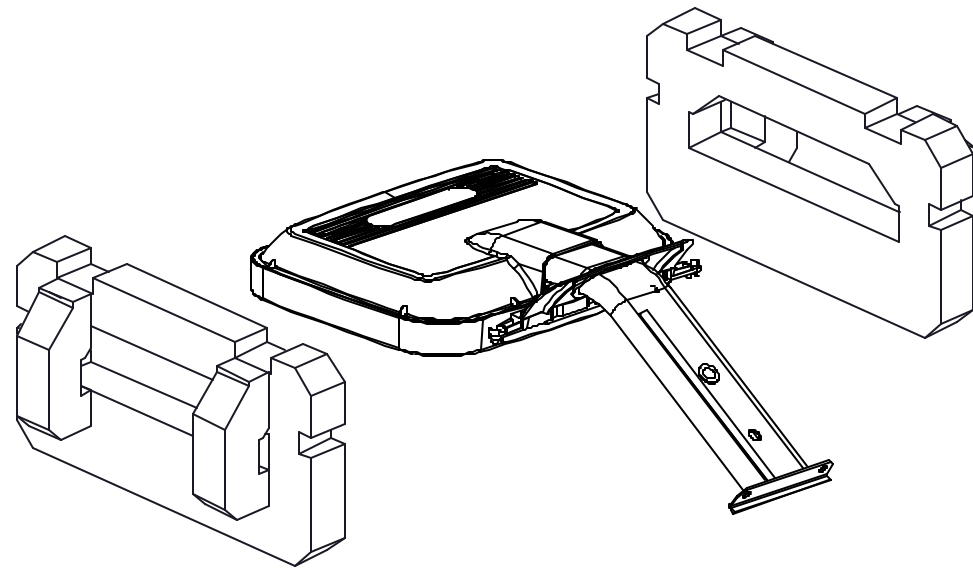
9 8 7 6 5 4 3 2 1


NOTE:

1. PLACE WARRANTY CARD (620-7733) INSIDE THE MANUAL (620-7691) BEFORE PACKAGING.

2. CONTENTS TO PLACE INSIDE CARTON ARE: 620-7691, 700-0035, & 715-3668
(REFER TO 700-0052 & 700-0055 BOM FOR P/N DESCRIPTIONS)

3. CONTENTS TO PLACE INSIDE CARTON ARE: 700-0055
(REFER TO 700-0052 & 700-0055 BOM FOR P/N DESCRIPTIONS)



UNISEN, INC. DBA		14410 Myford Road Irvine CA 92606	
			
PART NO	700-0052	REV	D
TITLE PVS KIT, NTSC/ATSC, E-TR			
NOT TO SCALE SHEET 5 OF 5 SHEET SIZE: B			