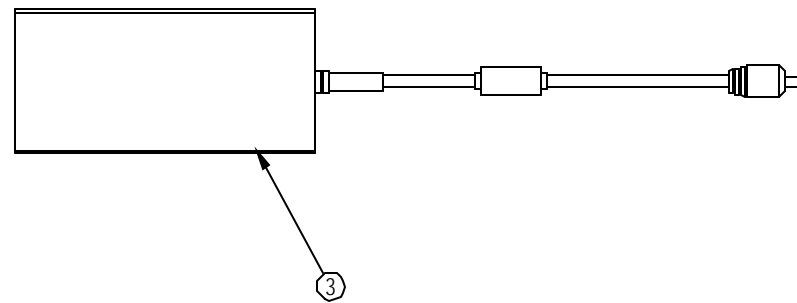
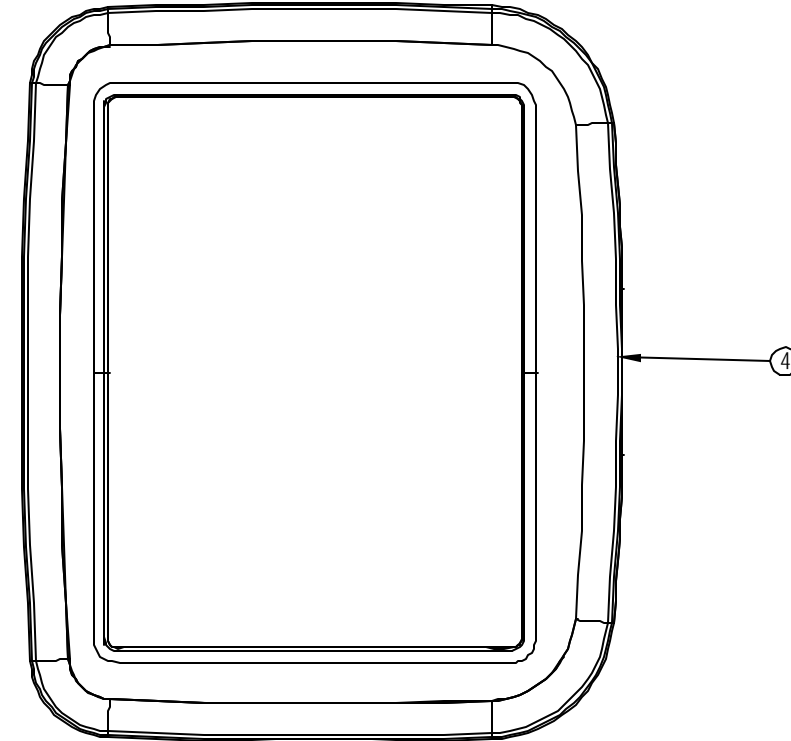
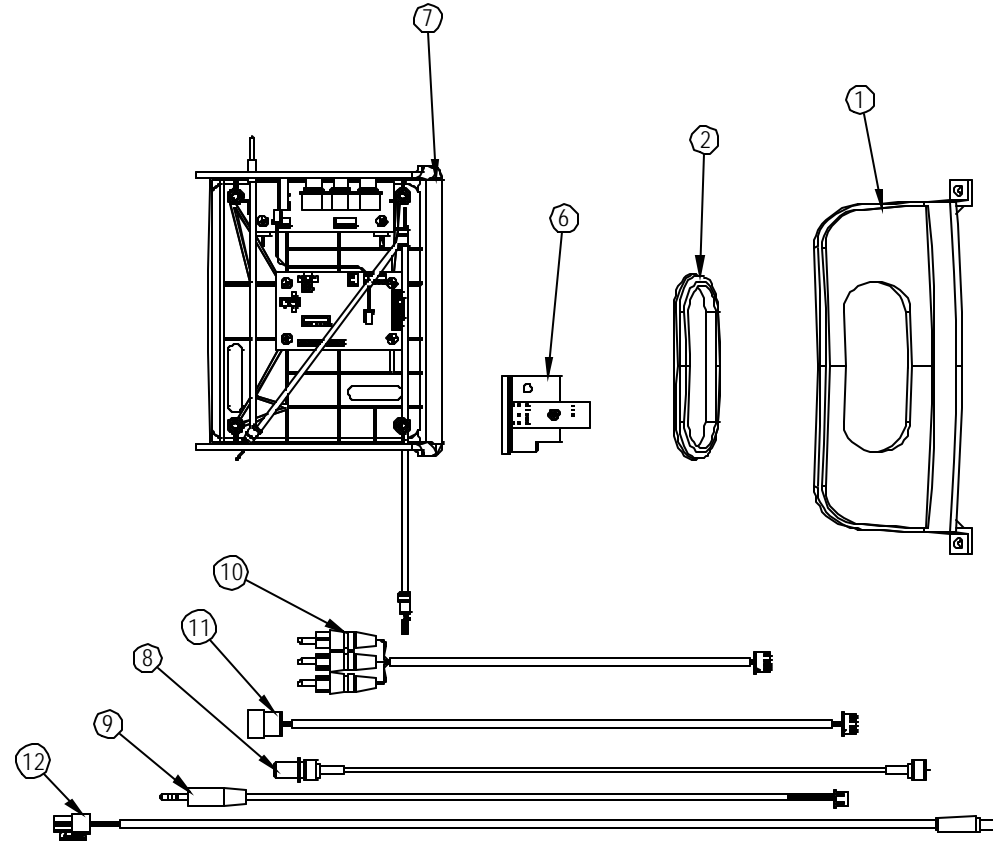
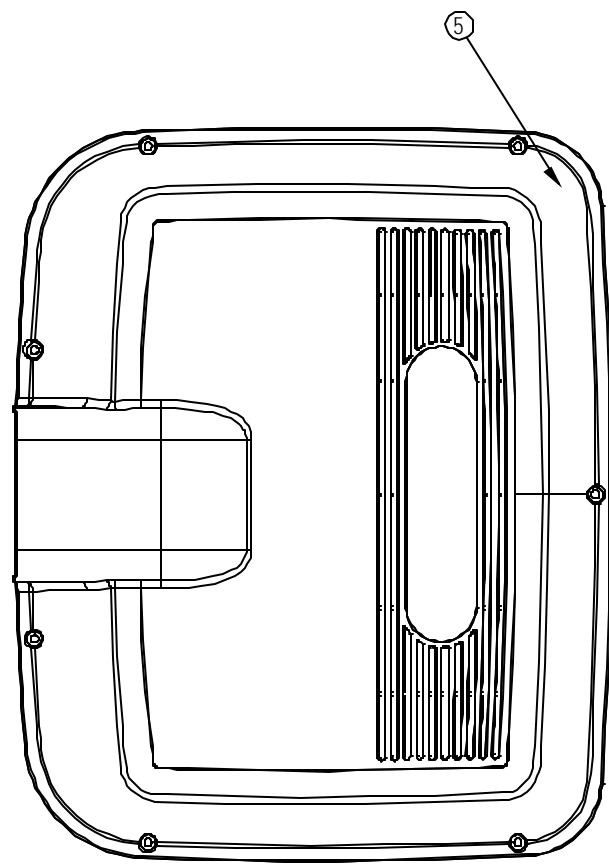


REVISIONS				
REV.	DATE	DESCRIPTION	ECO	BY
A	03-21-07	PRODUCTION RELEASE	11559	NMB



ITEM NO.	PART NUMBER	DESCRIPTION	QTY.
1	020-7084	DISPLAY CAP, PVS, BCS	1
2	020-7097	DISPLAY CAP GROMMET,PVS,BCS	1
3	712-4022	ADAPTER, AC, 65W	1
4	715-3659	ASSY, PVS SHROUD, W/ DISP COVER	1
5	715-3679	ASSY, PVS SHROUD, BACK	1
6	718-5098	ASSY, HEADPHONE JACK, BCS	1
7	718-5105	ASSY, CENTER CONSOLE, BCS, ENT	1
8	718-5113	CABLE, ANTENNA, M-M W/ F-ADAPTER	1
9	718-5114	CABLE, HEADPHONE	1
10	718-5115	CABLE, AUDIO/VIDEO	1
11	718-5116	CABLE, REMOTE INTERFACE, PVS	1
12	718-5117	CABLE, POWER, PVS	1

NOTES:

**DOCUMENT STATUS:  
RELEASE**

NOTICE OF PROPRIETARY INFORMATION  
THIS DOCUMENT SHALL NOT BE REPRODUCED NOR  
SHALL THE INFORMATION CONTAINED HEREIN BE  
USED BY OR DISCLOSED TO OTHER EXCEPT AS  
EXPRESSLY AUTHORIZED BY UNISEN

MATERIAL  
SEE BOM

FINISH  
N/A

VENDOR: N/A

P/N: N/A

TOLERANCES UNLESS OTHERWISE SPECIFIED

X.XXX = ± .010" (0.25MM) ANGLES = ± 2°  
 X.XX = ± .030" (0.76MM) FRACTIONS = ± 1/32  
 X.X = ± .050" (1.27MM)  
 X = ± .125" (3.20)

DRAWN	INITIAL NMB	DATE 03/16/07
CHECKED		
APPROVED		

U.O.M. MM

UNISEN, INC. DBA



14410 Myford Road  
Irvine CA 92606

PART NO  
**700-0023**

REV  
**A**

TITLE  
PVS KIT, BCS

SCALE: 1:4 SHEET 1 OF 1 SHEET SIZE: B