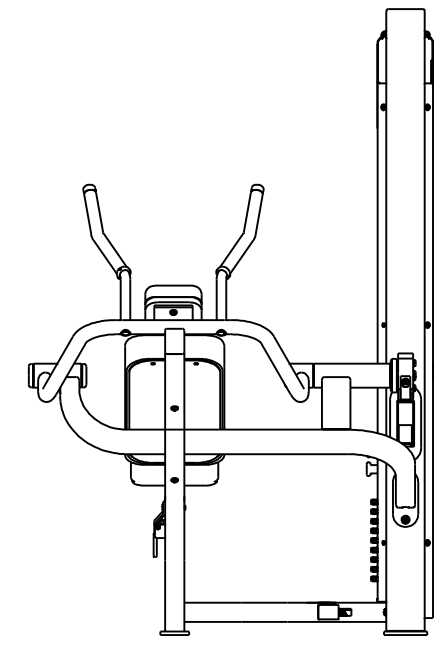
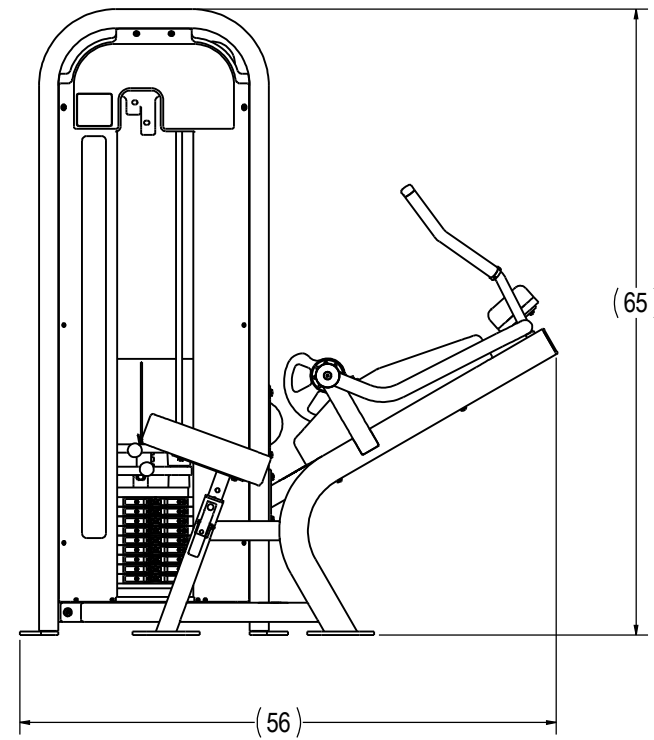
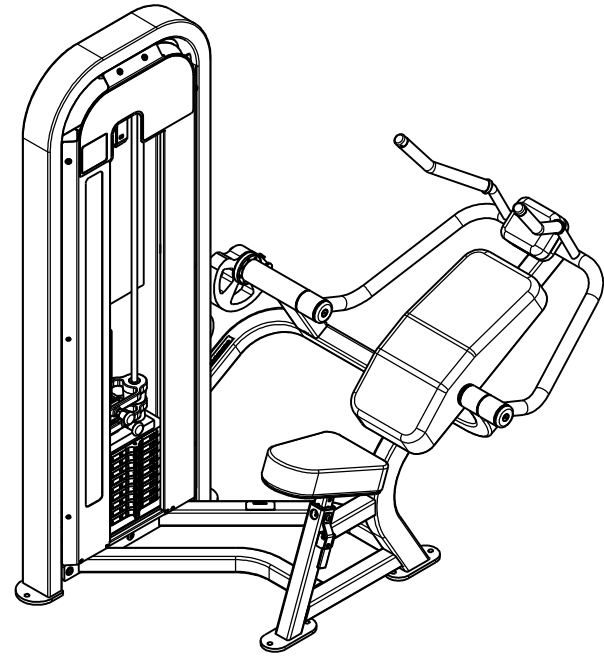
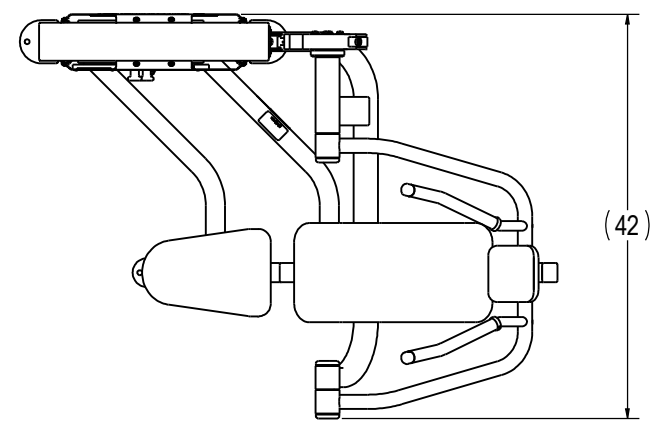


REVISION HISTORY				
REV	DATE	DESCRIPTION	ECO	BY
A	11/11/2009	PRODUCTION RELEASE	100596	SLS

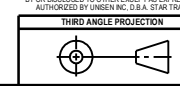


ITEM NO.	PART NUMBER	DESCRIPTION	Default QTY.
1	3211-0141	ASSY WELD, MAIN FRAME, S6301	1
2	3211-0142	ASSY, WELD, AB ARM, S6301	1
3	3211-0150	ASSY WELD, CAM AXLE, S6301	1
4	3210-0108	ASSY, WELD, SEAT	1
5	4900-PNTX	POWDER COAT, TBD	1.5 LBS.
6	3311-0401	ASSY, MECH, WT FRAME, S6301E LL	1
7	3500-0025	ASSY, UPHOLSTRY, 13 7/8 X 8 7/8, FC-202-C	1
8	3500-0034	ASSY, UPHOLSTRY, 22 X 10, PC-260-A	1
9	3500-0075	ASSY, UPHOLSTRY, 5 7/8 X 5, FC-202-D	1
10	4900-UPHX	UPHOLSTRY, TBD	1.25 LIN YDS
11	2120-3826	CAP, BEARING 2 1/2 RND ALUM	3
12	2120-3848	RING, HANDLE, 1"	2
13	2120-3875	BAR CUT, PIVOT AXLE SHORT	1
14	2210-0009	BUSHING, SEAT POST	1
15	1400-0001	Tube, Round, 1", Rubber, Blk	24
16	3290-0001	ASSY, WELDMENT, HANDLE	1
17	4210-0030	FHSCS, 3/8-16 X .875, BRIGHT, Z	3
18	4220-0025	SHCS, 1/2-20 X 1.75 L, Z	1
19	4220-0030	SHCS, 3/8-16 X 1.25, Z	2
20	4230-0057	BHSCS, 3/8 X 2 1/4, BRIGHT, Z	4
21	4230-0059	BHSCS, 3/8-16 X 4 1/4, BRIGHT, Z	3
22	4230-0060	BHSCS, 3/8-16 X 2 3/4, BRIGHT, Z	2
23	4230-0069	BHSCS, 1/4-20 X 1 3/4, BRIGHT, Z	1
24	4230-0083	BHSCS, 5/16-18 X 1 1/4, BRIGHT, Z	6
25	4230-0093	BHSCS, 1/4-20 X 3/4, BRIGHT, Z	1
26	4230-0094	BHSCS, 5/16-18 X 4, BRIGHT, Z	2
27	4250-0001	SSS, 10-32 X 1/8, BLK	8
28	4250-0015	SSSCP, 1/4-20 X 1/2, BLK	1
29	4500-0008	Nut, JAM, 1/4-20, Z	1
30	4500-0029	NUT, NYLOC, JAM, 3/8-16, Z	5
31	4600-0007	WASHER, SAE, 5/16, Z	8
32	4600-0009	WASHER, SAE, 3/8-16, Z	14
33	4600-0025	MACHINE BUSHING, 1", 18 GAGE	1
34	4800-0001	BELT, MECTROL, PR-S6301	118
35	4900-0005	CAP, HANDLE, 1" CHROME	2
36	4900-0052	SPRING, O.D. 5.115, CENTURY 921	1
37	4900-0056	PIN, PULL, CAM, BELT	1
38	4900-0057	CAM, PIN, CLAMP, CABLE	1
39	4900-0058	CLAMP, CAM, BELT	1
40	4900-0076	CAM, VRC-10	1
41	4900-0589	CAP, 2.0 X 3.0, BLACK, TEXTURED	1
42	4900-0108	SLEEVE, HANDLE, RED	1
43	4900-0139	BEARING, 1 ID X 2 OD, NR16-Z	4
44	5220-0002	LABEL, SAFETY, KEEP HANDS, SMALL	1
45	5220-0005	LABEL, SAFETY, SECURE TO FLOOR	1
46	5290-0001	SERIAL NUMBER	1
47	050-2190	LABEL, PATENTS, LNL	1
48	730-0913	BUMPER	1

- NOTES:
1. INTERPRET DRAWING PER ASME Y14.5M-1994.
 2. REMOVE ALL BURRS AND SHARP EDGES .015/.030.
 3. IF APPLICABLE, CRITICAL DIMENSIONS LABELED.
 4. ALL HARDWARE TO BE KITTED PER 3700-0528.
 5. ALL UPHOLSTERY TO BE KITTED PER 3700-0529.
 6. EST. GROSS WT. 410 LBS.

DOCUMENT STATUS:
RELEASED

MATERIAL
SEE BOM



FINISH
N/A

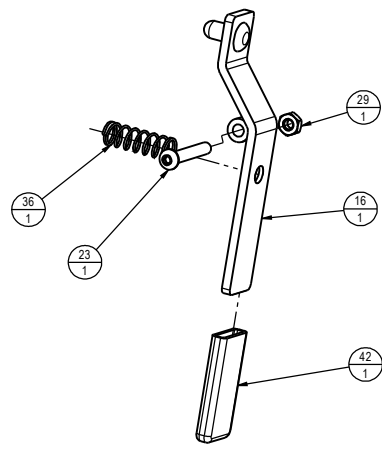
VENDOR: N/A

UNLESS OTHERWISE SPECIFIED DIMENSIONS ARE IN INCHES. TOLERANCES ARE:
DIM. INCHES ANGLES
X.XX = ±.015
X.XXX = ±.010
X.XXX = ±.010

UNISEN, INC. DBA 14410 Myford Road
Irvine CA 92606

DRAWN SLS 10/26/2009
CHECKED
APPROVED
TITLE
PART NO. **99LL-S6301EXXXXXX**
REV **A**

ABDOMINAL MACHINE, LL
SCALE: 1:10 SHEET 1 OF 2 SHEET SIZE: D



DETAIL A
SCALE 1 : 2

