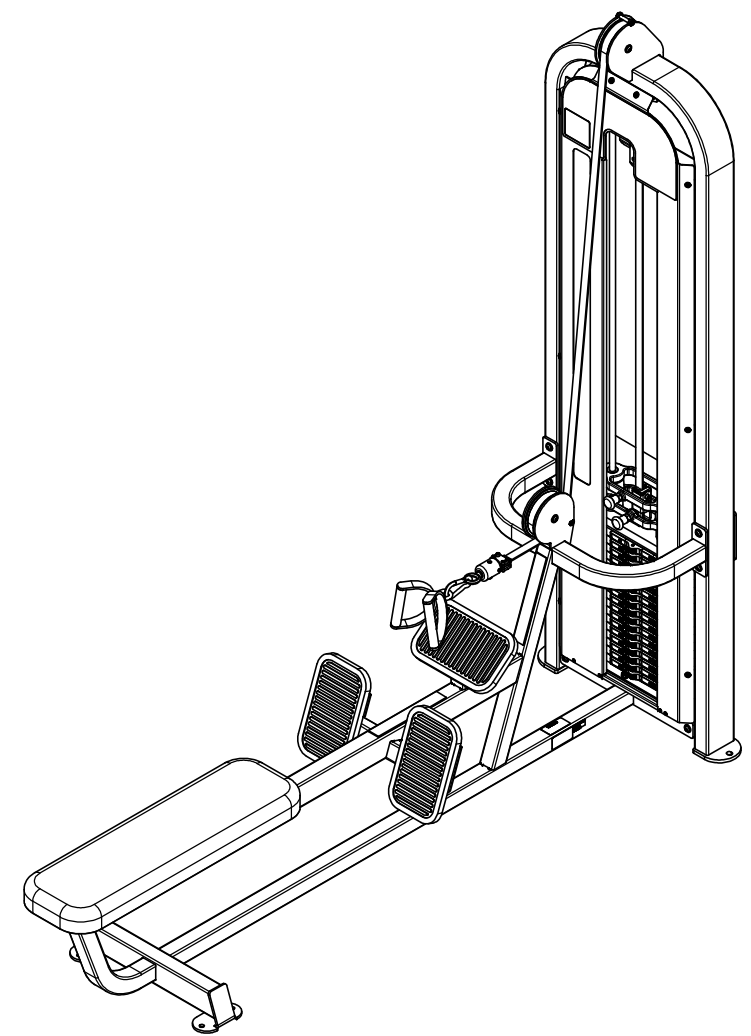
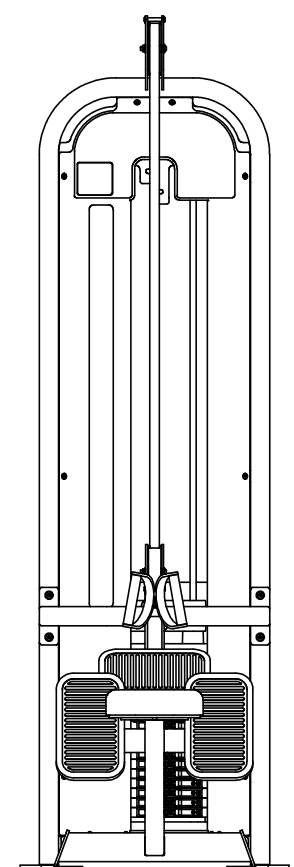
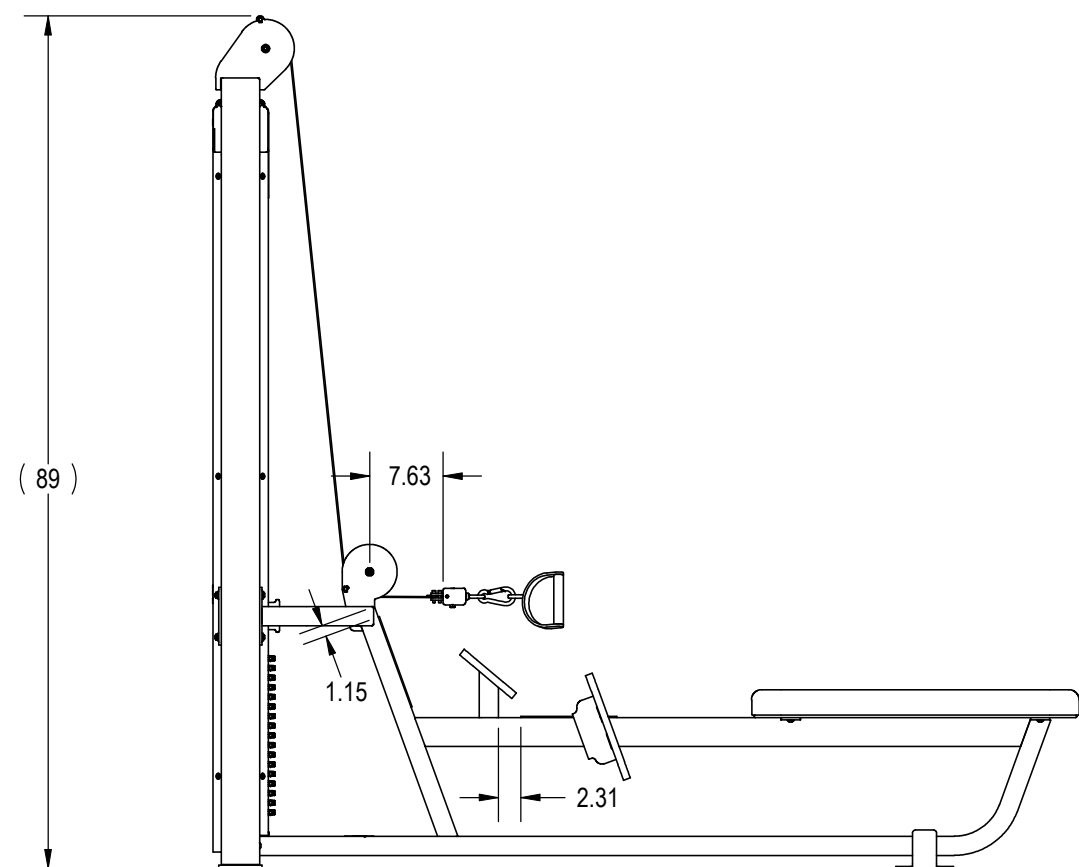
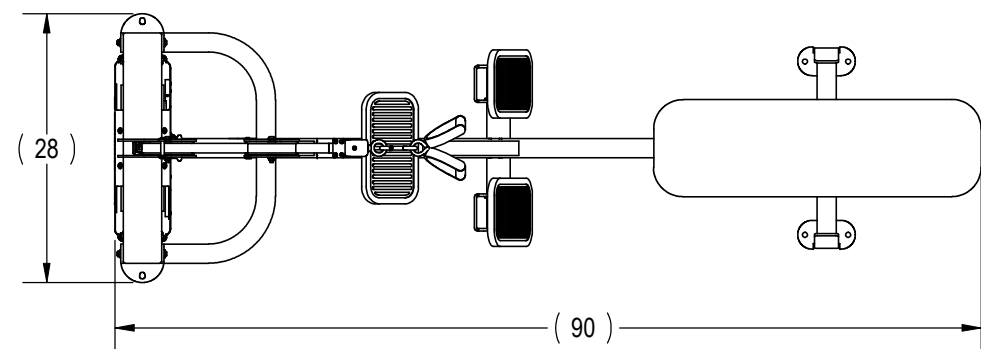


REVISION HISTORY				
REV	DATE	DESCRIPTION	ECO	BY
A	11/11/2009	RELEASE FOR PRODUCTION	100596	SLS
B	2/9/2010	3500-0168 WAS 3500-0123	100560	CSM

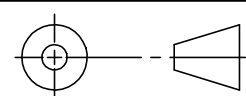


- NOTES:
1. INTERPRET DRAWING PER ASME Y14.5M-1994.
 2. IF APPLICABLE, CRITICAL DIMENSIONS LABELED.
 3. ALL HARDWARE IS KITTED PER 3700-0498.
 4. ALL UPHOLSTERY IS KITTED PER 3700-0241.
 5. EST. GROSS WT. 595 LBS.

**DOCUMENT STATUS:
RELEASED**

NOTICE OF PROPRIETARY INFORMATION
THIS DOCUMENT SHALL NOT BE REPRODUCED NOR SHALL THE INFORMATION CONTAINED HEREIN BE USED BY OR DISCLOSED TO OTHER EXCEPT AS EXPRESSLY AUTHORIZED BY UNISEN INC, D.B.A. STAR TRAC.

THIRD ANGLE PROJECTION



MATERIAL
SEE BOM

FINISH
N/A

VENDOR: P/N:

UNLESS OTHERWISE SPECIFIED DIMENSIONS ARE IN INCHES. TOLERANCES ARE:
DECIMALS ANGLES
X. = ±.13 ° = ±2°
X.X = ±.05
X.XX = ±.03
X.XXX = ±.010

DRAWN	SLS	10/23/2009
CHECKED		
APPROVED		

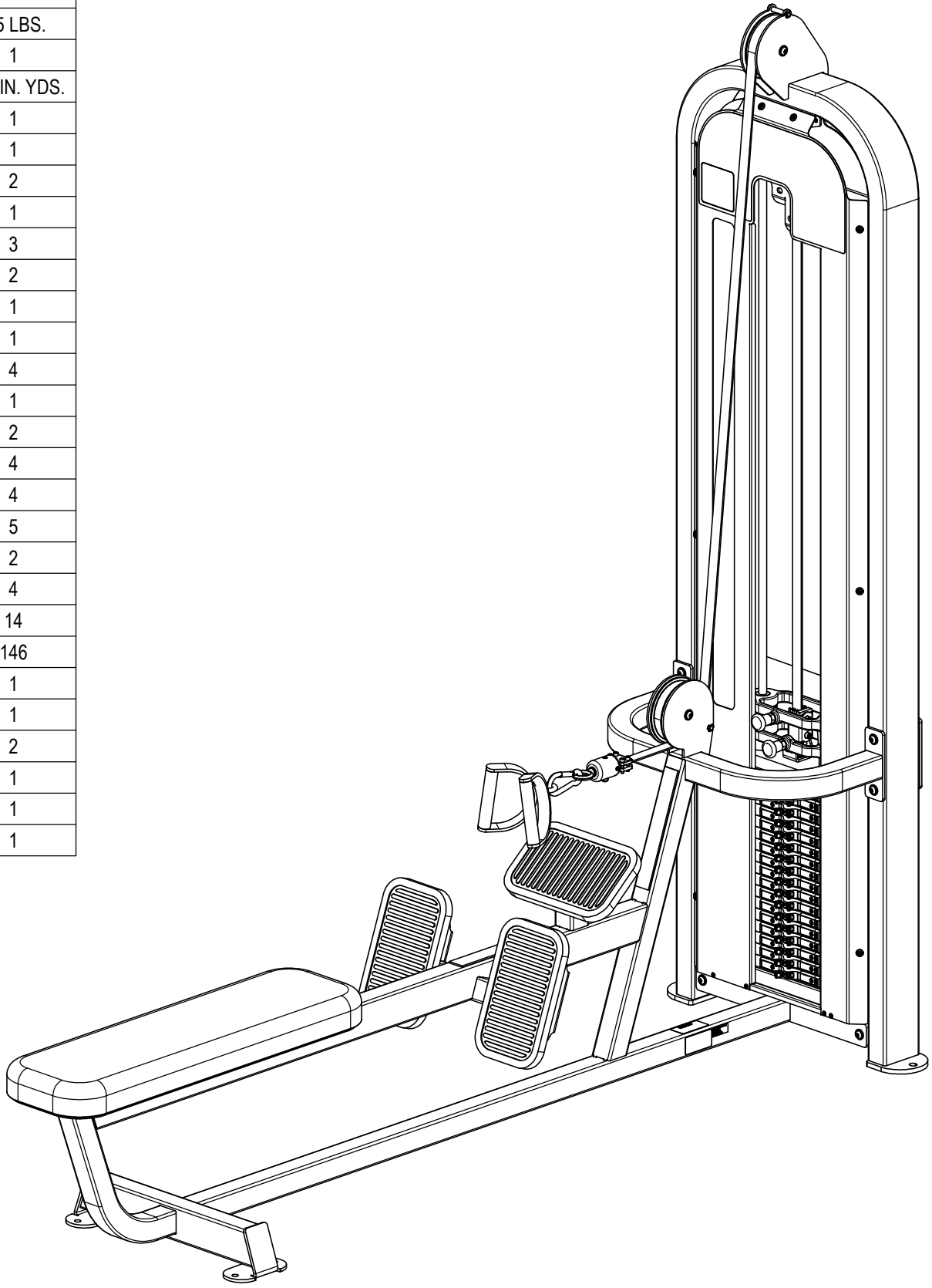
UNISEN, INC. DBA
STAR TRAC
14410 Myford Road
Irvine CA 92606

STARTRAC PART NO. **9LL-S3306EXXXXX** REV **B**

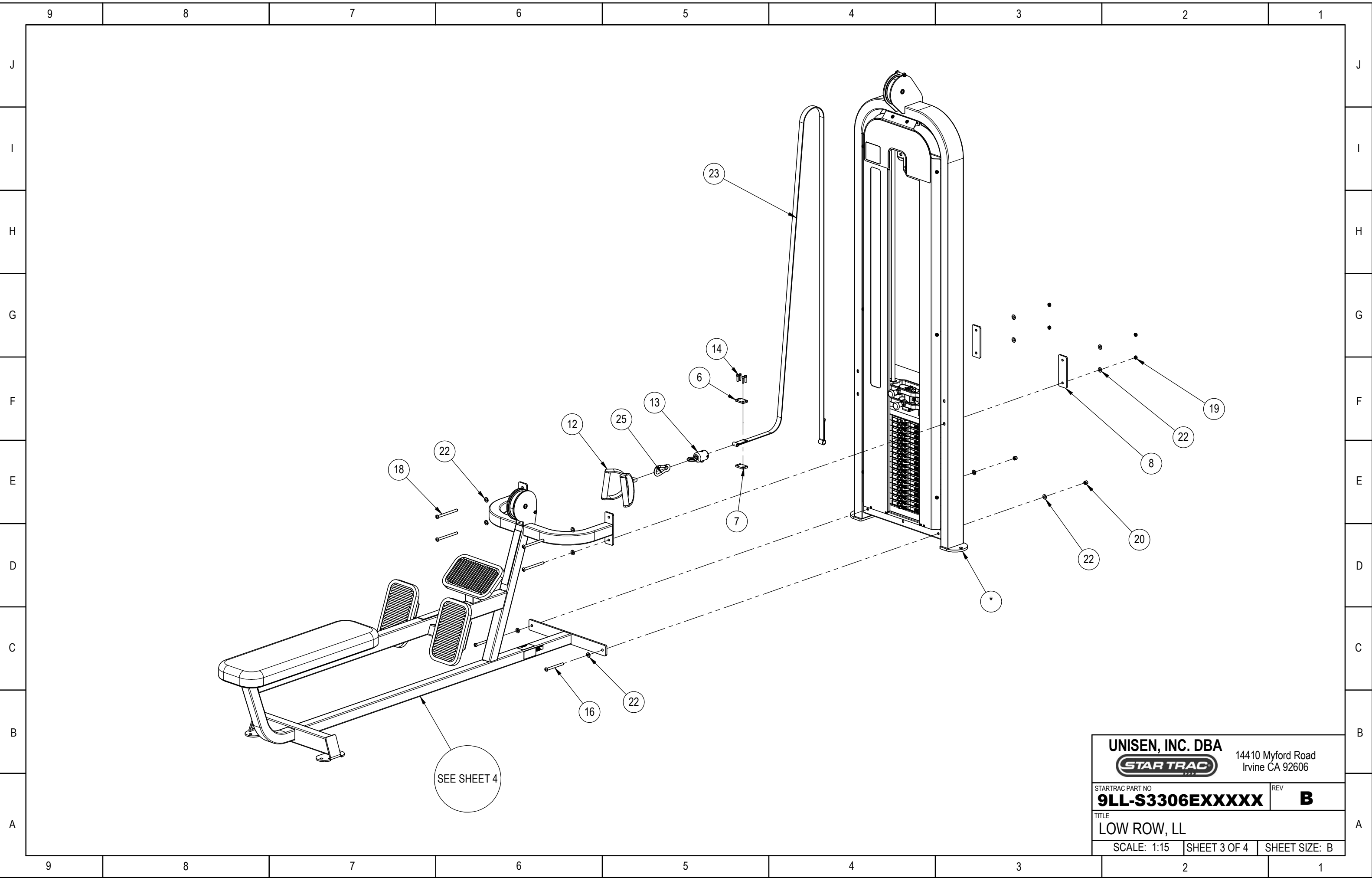
TITLE **LOW ROW, LL**

SCALE: 1:20 | SHEET 1 OF 4 | SHEET SIZE: B


9	8	7	6	5	4	3	2	1
ITEM NO.	PART NUMBER	DESCRIPTION	QTY.					
1	3211-0326	ASSY, WELD, MAIN FRAME, LR	1					
2	3311-0353	ASSY,MECH,WT FRAME,S3306 LL	1					
3	4900-PNTX	POWDER COAT, TBD	1.5 LBS.					
4	3500-0123	ASSY, UPHOLSTRY, SEAT	1					
5	4900-UPHX	UPHOLSTERY, TBD	0.5 LIN. YDS.					
6	2120-0154	PLATE, BELT CLAMP, 1/4, BC-002	1					
7	2120-0502	PLATE, BELT CLAMP, 1/4, BC-003	1					
8	2120-3173	BAR, MACH, 1/4X2X6, MOUNT	2					
9	2120-4427	CABLE ROLLER, WIDE	1					
10	2400-0050	PAD, FOOT, RUBBER, MED.	3					
11	2400-0051	GUARD, RUBBER, LOWER, M.F.	2					
12	3210-0353	ASSY,WELD,DUAL HANDLES	1					
13	3310-0054	ASSY, MACH, BELT SWIVEL	1					
14	4220-0005	SHCS, 1/4-20 x 1.0	4					
15	4230-0051	BHSCS, 3/8-16 X 2 1/2, BRIGHT, Z	1					
16	4230-0059	BHSCS, 3/8-16 X 4 1/4, BRIGHT, Z	2					
17	4230-0048	BHSCS, 5/16-18 X 1, BRIGHT, Z	4					
18	4230-0079	3/8-16 X 5, BRIGHT, Z	4					
19	4500-0009	NUT, JAMNYLOC, 3/8-16, NTE	5					
20	4500-0018	NUT,3/8-16,NYLOC,NE,STL,Z	2					
21	4600-0001	WASHER, FLAT, 5/16	4					
22	4600-0009	WASHER,SAE,3/8-16,Z	14					
23	4800-0002	BELT, SEIGLING	146					
24	4900-0045	PULLEY, BELT, 5.0D, 3/8B, 1.5W	1					
25	4900-0170	CLIP,CARABINEER,3/8 IN.,CLP	1					
26	4900-0634	RETAINING RING, KLIPRING., 3/8	2					
27	5220-0005	LABEL, SAFETY, SECURE TO FLOOR	1					
28	5290-0001	SERIAL NUMBER	1					
29	050-2190	LABEL,PATENTS,LNL	1					

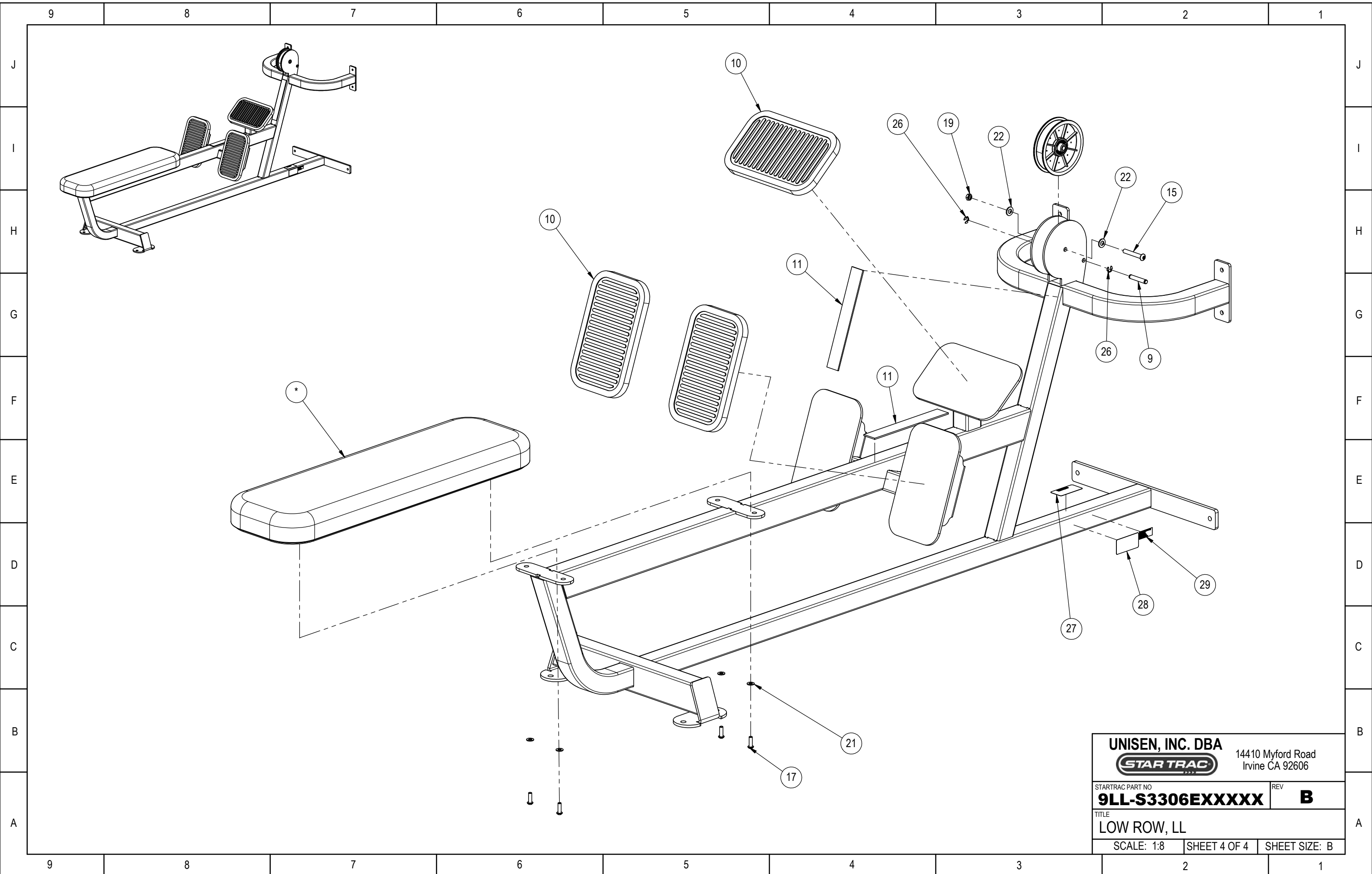


UNISEN, INC. DBA		14410 Myford Road Irvine CA 92606	
STARTRAC PART NO	9LL-S3306EXXXXX		REV B
TITLE LOW ROW, LL			
SCALE: 1:12	SHEET 2 OF 4	SHEET SIZE: B	



SEE SHEET 4

UNISEN, INC. DBA 		14410 Myford Road Irvine CA 92606	
STARTRAC PART NO 9LL-S3306EXXXX		REV B	
TITLE LOW ROW, LL			
SCALE: 1:15	SHEET 3 OF 4	SHEET SIZE: B	



UNISEN, INC. DBA		14410 Myford Road Irvine CA 92606	
STAR TRAC			
STARTRAC PART NO	9LL-S3306EXXXX		REV B
TITLE LOW ROW, LL			
SCALE: 1:8	SHEET 4 OF 4	SHEET SIZE: B	