

REVISIONS				
REV.	DATE	DESCRIPTION	ECD	BY
A	4/25/2008	RELEASE FOR PRODUCTION	100189	SL
B	10/21/08	GEN 2 CONVERSION, 4211 ITEMS REPLACED BY 4211 REV	100279	DMS
C	10/26/2008	REPAIRED MATS	100328	DMS
D	10/24/2008	REPLACED ITEMS: 4900-0086 WITH 4900-0568	100329	DMS

ITEM NO	PART NUMBER	DESCRIPTION	QTY
1	0211-0121	ASSY, WELD, MAIN FRAME, S3304	1
2	0211-0204	ASSY, WELD, WT FRAME, S3304	1
3	0210-0049	ASSY, WELD, PULLEY MT, LEFT	1
4	0211-0123	ASSY, WELD, PULLEY MT, LH	1
5	0211-0120	ASSY, WELD, ARM, KNEE PAD	1
6	0211-0122	ASSY, WELD, HANDLE PIVOT	1
7	2130-0064	PLATE, KICK PLATE	1
8	4900-PNFX	POWDER COAT, TBD	1.75 LBS

ITEM NO	PART NUMBER	DESCRIPTION	QTY
9	0311-0085	ASSY, W STK, 152BLES, BELT, SHRT, LNL, LG3	1

ITEM NO	PART NUMBER	DESCRIPTION	QTY
10	3600-0126	ASSY, UPH, ARMKNEE PAD, S3304	2
11	4900-UPHX	UPHOLSTERY	1 UPH, YB

ITEM NO	PART NUMBER	DESCRIPTION	QTY
12	1400-0001	TUBE, GRP, 1" BLK X 8 9/16"	17.13 IN
13	2120-0258	BALL, BLACK, 1.5 X .391	2
14	2120-3064	TUBE, MACH, 2 X 2 X .25, .75	2
15	2120-3347	CLAMP, BELT BARREL, 1/4, 3/8, UNW/RLD	1
16	2120-3820	RACE, KNEE PAD ARM	1
17	2120-3824	SPACER, KNEE ARM, LG.	1
18	2120-3825	SPACER, KNEE ARM, INNER	1
19	2120-3826	CAP, BEARING, 2 1/2 RND ALUM	1
20	2120-3848	RING, HANDLE, 1"	2
21	2120-0049	BRACKET, MOUNT, KICK PLATE, IMPACT	2
22	2164-0063	STOP, UNI-LAT HANDLE	2
23	2210-0001	SHROUD, LOWER, SHORT OUTSIDE, PRO	2
24	2210-0005	SHROUD, LOWER, SHORT OUTSIDE, PRO	1
25	2210-0006	SHROUD, LOWER, RM, INSIDE, IMPACT	1
26	2110-0003	ASSY, WELD, HANDLE BRKT	1
27	0211-0125	ASSY, WELD, ROM, UNI-LAT	1
28	0311-0047	ASSY, HANDLE, UNI-LAT	2
29	4161-0074	SCREW, #8-18X1.2, PHIT-AB, PHCS	14
30	4210-0032	FHSCS, 3/8-16 X 5, BRIGHT, Z	1
31	4220-0043	BHSCS, 5/16-18X1 1/2, BLK	1
32	4230-0051	BHSCS, 3/8-16 X 1 1/2, BRIGHT, Z	2
33	4230-0057	BHSCS, 3/8 X 2 1/4, BRIGHT, Z	2
34	4230-0059	BHSCS, 3/8-16 X 4 1/4, BRIGHT, Z	3
35	4230-0060	BHSCS, 3/8-16 X 2 3/4, BRIGHT, Z	2
36	4230-0073	BHSCS, 3/8-16 X 2, BRIGHT, Z	3
37	4230-0083	BHSCS, 5/16-18 X 1 1/4, BRIGHT, Z	8
38	4230-0091	BHSCS, 3/8-16 X 1 3/4, BRIGHT, Z	2
39	4230-0092	BHSCS, 3/8-16 X 3 1/2, BRIGHT, Z	2
40	4230-0093	BHSCS, 1/4-20 X 3/4, BRIGHT, Z	2
41	4250-0001	SSS, 10-32 X 1 1/8, BLK	8
42	4250-0016	SSS, 10-32 X 3/8, BLK	4
43	4300-0004	STRP, 1/4 X 2 X .00	2
44	4500-0014	NL, NYLON, 1/4-20, NE, Z	2
45	4500-0018	NUT, NYLON, 3/8-16, BLK, Z	1
46	4500-0029	NUT, NYLON, JAM, 3/8-16, Z	14
47	4500-0044	NUT, WELD, 5/16-18, SLAB BASE	1
48	4500-0046	U-NUT, #8, PANEL, 105-125	14
49	4500-0049	U-NUT, 1/4-20, EDGE, 501, 625, 150	2
50	4600-0007	WASHER, SAE, 5/16, Z	8
51	4600-0009	WASHER, SAE, 3/8-16, Z	31
52	4600-0025	MACHINE BUSHING, 1", 18 GAGE	2
53	4600-0042	WASHER, 1.25 OD X .406 ID X .042, ZINC	2
54	4800-0001	BELT, MET, CTRL	1
55	4800-0053	CABLE, 1/8 X 3/16, FCAB, 135	1
56	4900-0005	CAP, HANDLE, 1" CHROME	2
57	4900-0047	PULLEY, CABLE, 1.50 X 3/8 X 1.0 W	5
58	4900-0588	CAP, 2.0 X 2.0, BLACK, TEXTURED	2
59	4900-0139	BEARING, 1.00 X 2.00, W/16 Z	6
60	4900-0140	RING, RETAIN, 1.5 X 1.00, 100	4
61	4900-0177	PULL PIN, 1/2", K-300	1
62	4900-0440	PULLEY, BELT, 4.75D, 3/8, 1.5W, MOLDED	2
63	4900-0522	COVER, SHROUD BRACKET	1
64	4900-0547	SPRING, PIN, 3/8 X 5/8	2
65	0210-0129	PLAC, IMPACT, HORS, S3304, UNI-LATERAL, ROW	1
66	0220-0001	LABEL, SAFETY, KEEP HANDS, LARGE	1
67	0220-0005	LABEL, SAFETY, SECURE TO FLOOR	1
68	0220-0028	LABEL, SAFETY, PINCH POINTS	1
69	0230-0008	LOGO, STAR TRAC, IMPACT, TOP SHROUD	2
70	0230-0009	LOGO, IMPACT, LOWER SHROUD	1
71	0230-0034	LABEL, NAME, UNI-LATERAL, ROW	2
72	0290-0001	SERIAL NUMBER	1
73	730-1491	LABEL, INSTRUCTIONS, LOCK N LOAD	1

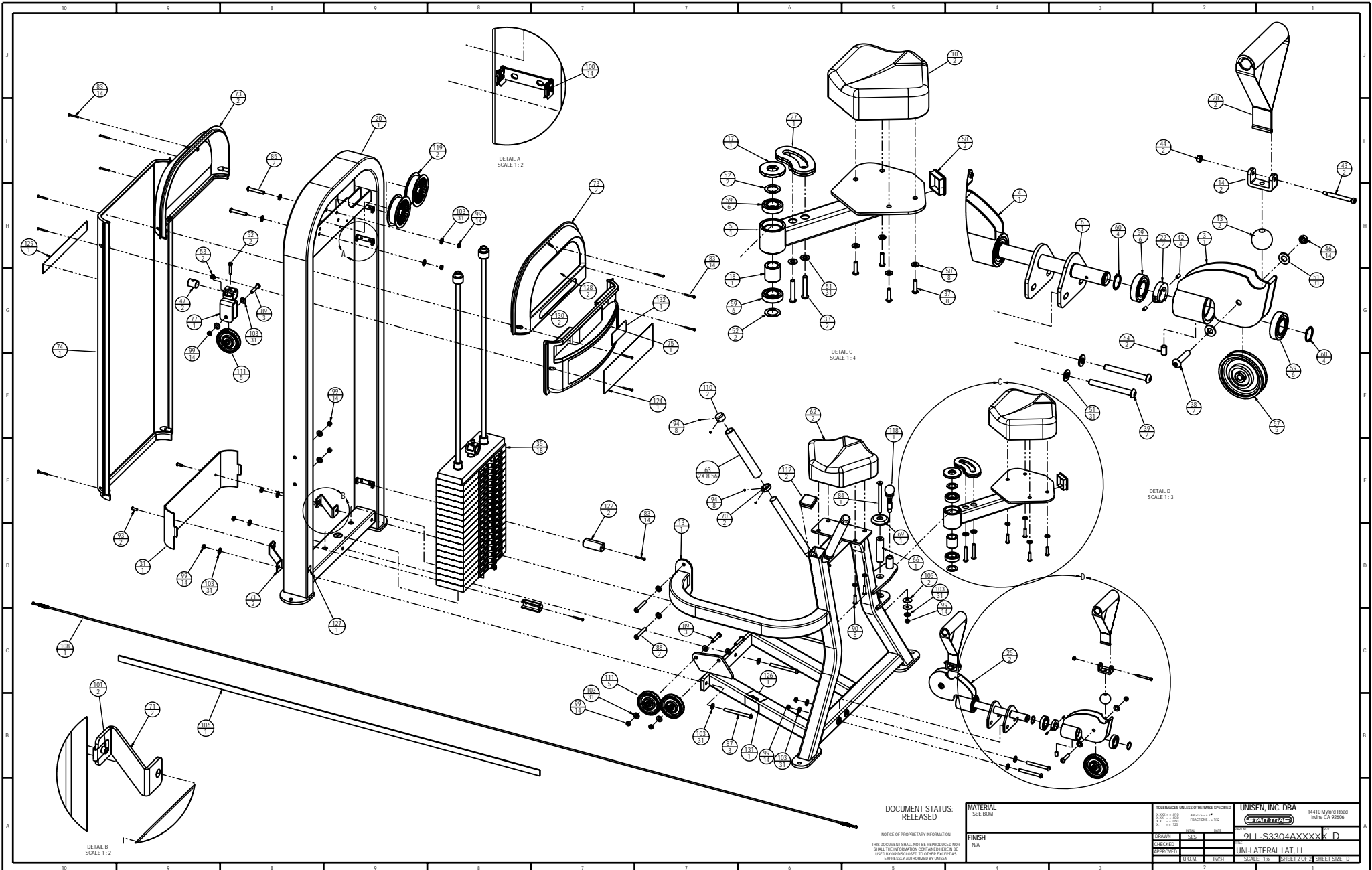
- NOTES:
1. INTERPRET DRAWING PER ASME Y14.5M-1994.
 2. IF APPLICABLE, CRITICAL DIMENSIONS LABELED.
 3. ALL HARDWARE IS KITTED PER 3700-0265.
 4. ALL UPHOLSTERY IS KITTED PER 3700-0250.
 5. EST. GROSS WT. 510 LBS.

DOCUMENT STATUS:
RELEASED

MATERIAL:
SEE BOM

NOTE OF PROPRIETARY INFORMATION:
THIS DOCUMENT SHALL NOT BE REPRODUCED NOR SHALL THE INFORMATION CONTAINED HEREIN BE USED IN OR DISCLOSED TO OTHERS EXCEPT AS EXPRESSLY AUTHORIZED BY UNISSEN.

UNISEN, INC. DBA 14410 Midland Road Irvine, CA 92606	
DESIGNED BY: SL5	DATE: 2/25/2008
CHECKED BY:	911-S3304AXXXXX D
APPROVED BY:	UNI-LATERAL, LAT. LL
UOM: INCH	SCALE: 1:8 SHEET 2 OF 2 SHEET SIZE: B



DOCUMENT STATUS:
RELEASED

NOTE: OF PROPRIETARY INFORMATION
THIS DOCUMENT SHALL NOT BE REPRODUCED NOR
SHALL THE INFORMATION CONTAINED HEREIN BE
USED IN OR DISCLOSED TO OTHERS EXCEPT AS
EXPRESSLY AUTHORIZED BY UNISEN.

MATERIAL
SEE BOM

FINISH
N/A

TOLERANCES UNLESS OTHERWISE SPECIFIED
FRACTIONS: 1/16, 1/8, 1/4, 3/8, 1/2, 5/8, 3/4, 7/8, 1, 1 1/8, 1 1/4, 1 1/2, 1 3/4, 1 7/8, 2, 2 1/8, 2 1/4, 2 1/2, 2 3/4, 3, 3 1/8, 3 1/4, 3 1/2, 3 3/4, 4, 4 1/8, 4 1/4, 4 1/2, 4 3/4, 5, 5 1/8, 5 1/4, 5 1/2, 5 3/4, 6, 6 1/8, 6 1/4, 6 1/2, 6 3/4, 7, 7 1/8, 7 1/4, 7 1/2, 7 3/4, 8, 8 1/8, 8 1/4, 8 1/2, 8 3/4, 9, 9 1/8, 9 1/4, 9 1/2, 9 3/4, 10

DRAWN: SLS
CHECKED:
APPROVED:

U.O.M. INCH

UNISEN, INC. DBA
14410 Myford Road
Irvine, CA 92606

STAR TRAC
91-L-S3304AXXXX K D

UNI-LATERAL LAT, LL
SCALE: 1:3 SHEET 2 OF 2 SHEET SIZE: D