

REVISION HISTORY				
REV	DATE	DESCRIPTION	ECCO	BY
A	7/22/2008	PRODUCTION RELEASE	100256	SLB
B	10/10/2008	REPLACED ITEMS 4900-0096 WITH 4900-0586, 4900-0089 WITH 4900-0590	100329	DMG
C	11/3/2008	REPLACED ITEMS 4230-0053 & 4500-0025 WITH 4230-0156 & 4500-0053	100342	DMG
E	4/29/2009	REVISED TO LATEST CONFIG. SEE REDLINES ON ECCO	100485	ECCO

ITEM NO.	PART NUMBER	DESCRIPTION	QTY.
1	3211-0153	ASSY. WELD. MAIN FRM., VERT. ROW	1
2	3211-0230	ASSY. WELD. WGT. FRM., VERT. ROW	1
3	3211-0164	ASSY. WELD. HANDLE, VERT. ROW	1
4	3211-0271	ASSY. WELD. LEV. ARM, VERT. ROW	1
5	3211-0238	ASSY. WELD. LINEAR ROM ADJ., OUTER	1
6	3210-0157	ASSY. WELD. SEAT POST	1
7	2130-0064	PLATE, KICK PLATE	1
8	4900-PNTR	POWDER COAT, TBD	2.0 LBS.
9	3311-0087	ASSY. W. STK. 15300LBS. BELT SHIRT, LNL G3	1
10	3500-0025	ASSY. UPHOLSTERY, 13.78 X 8.78 FC, 202-C	1
11	3500-0076	ASSY. UPHOLSTERY, 18.18x9.34, FB-305-A	1
12	4900-UPHX	UPHOLSTERY, TBD	0.75 LBN. YDS.
13	1400-0001	TUBE, ROUND, 1", RUBBER, BLK.	35.38 IN.
14	2120-0154	PLATE, BELT CLAMP, 1/4" BC-002	1
15	2120-0502	PLATE, BELT CLAMP, 1/4" BC-003	1
16	2120-3826	CAP, BEARING, 2 1/2 BND ALUM	2
17	2120-3848	RING, HANDLE, 1"	4
18	2120-4093	SHAFT, LEV. ARM	1
19	2120-4094	SHAFT, HANDLE ARM	1
20	2120-0066	COVER, PULLEY S	1
21	2130-0069	BRACKET MOUNT, KICK PLATE, IMPACT	2
22	2210-0001	SHROUD, UPPER, PRO	2
23	2210-0005	SHROUD, LOWER, SHORT, OUTSIDE, PRO	1
24	2210-0006	SHROUD, LOWER, MINI, INSIDE, IMPACT	1
25	2210-0009	BUSHING, SEAT POST	1
26	3211-0272	ASSY. WELD. LINEAR ROM ADJ., INNER	1
27	3290-0001	ASSY. WELDMENT, HANDLE	1
28	4161-0074	SCREW, #8-18x1-1/2, PHF-AB, PHCS	14
29	4210-0030	BHCS, 3/8-16 X 8.75, BRIGHT Z	4
30	4220-0005	BHCS, 1/4-20 X 1.5, BRIGHT Z	4
31	4230-0048	BHCS, 5/16-18 X 1, BRIGHT Z	8
32	4230-0051	BHCS, 3/8-16 X 2 1/2, BRIGHT Z	4
33	4230-0059	BHCS, 3/8-16 X 4 1/4, BRIGHT Z	3
34	4230-0060	BHCS, 3/8-16 X 2 3/4, BRIGHT Z	2
35	4230-0069	BHCS, 1/4-20 X 1 3/4, BRIGHT Z	1
36	4230-0076	BHCS, 1/2-13 X 3/4, BRIGHT Z	1
37	4230-0093	BHCS, 1/4-20 X 3/4, BRIGHT Z	3
38	4250-0001	SSS, 10-32 X 1/8, BLK	8
39	4250-0015	SSSCP, 1/4-20 X 1/2, BLK	2
40	4500-0001	NUT, HEX, JAM, 5/8-18, ZINC	1
41	4500-0004	NUT, NYLOC, 1/2-20	1
42	4500-0008	NUT, JAM, 1/4-20 Z	1
43	4500-0029	NUT, NYLOC, JAM, 3/8-16 Z	9
44	4500-0046	J NUT, #8, PANEL, 025-125	14
45	4500-0048	J NUT, 1/4-20, EDGE, 531-025-150	2
46	4600-0007	WASHER, SAE, 5/16, Z	8
47	4600-0008	WASHER, SAE, 1/2, Z	2
48	4600-0009	WASHER, SAE, 3/8-16 Z	16
49	4600-0017	WASHER, SAE, FLAT, 5/8, Z	4
50	4600-0025	MACHINE BUSHING, 1", 18 GAGE	2
51	4800-0001	BELT, MECTROL, SPOOL	168 IN.
52	4900-0004	ROD END, 5/8-18	2
53	4900-0005	CAP, HANDLE, T, CHROME	2
54	4900-0052	SPRING O D 5.115, CENTURY 921	1
55	4900-0108	SLEEVE, HANDLE, RED	1
56	4900-0139	BEARING, 1 ID X 2 OD, NRI16-Z	4
57	4900-0241	Pul Pin, 3/8, K, 100PR	1
58	4900-0440	PULLEY BELT 4.750, 3/8B, 1.5W, MOLDED	3
59	4900-0441	PULLEY BELT 4.750, 1/2B, 1.5W, MOLDED	1
60	4900-0522	COVER, SHROUD BRACKET	2
61	4900-0562	PULLEY BELT 3.750, 3/8B, 1.5W, MOLDED	1
62	5210-0126	PLAC, IMPACT, HORZ, 53301, VERTICAL ROW	1
63	5220-0002	LABEL, SAFETY, KEEP HANDS, SMALL	2
64	5220-0004	LABEL, SAFETY, DO NOT ALTER, SMALL	1
65	5220-0005	LABEL, SAFETY, SECURE TO FLOOR	1
66	5220-0038	LABEL, SAFETY, PINCH POINTS	3
67	5230-0008	LOGO, STAR TRAC, IMPACT, TOP SHROUD	2
68	5230-0009	LOGO, IMPACT, LOWER SHROUD	1
69	5230-0028	LABEL, NAME, ROW	1
70	5290-0001	SERIAL NUMBER	2
71	730-0913	BUMPER	1
72	730-1491	LABEL, INSTRUCTIONS, LOCK N LOAD	1
73	4900-0588	CAP, 2.0 x 2.0, BLACK, TEXTURED	2
74	4900-0590	CAP, 0.10, BLACK, TEXTURED	2
75	4230-0106	BUSH, 5/8-11, 2.0, SMC, AS, 81 Z	2
76	4500-0053	NUT, 5/8-11, NYLOC, NTE, AS, Z	2
77	2400-0050	PAD, FOOT, RUBBER, MED.	1

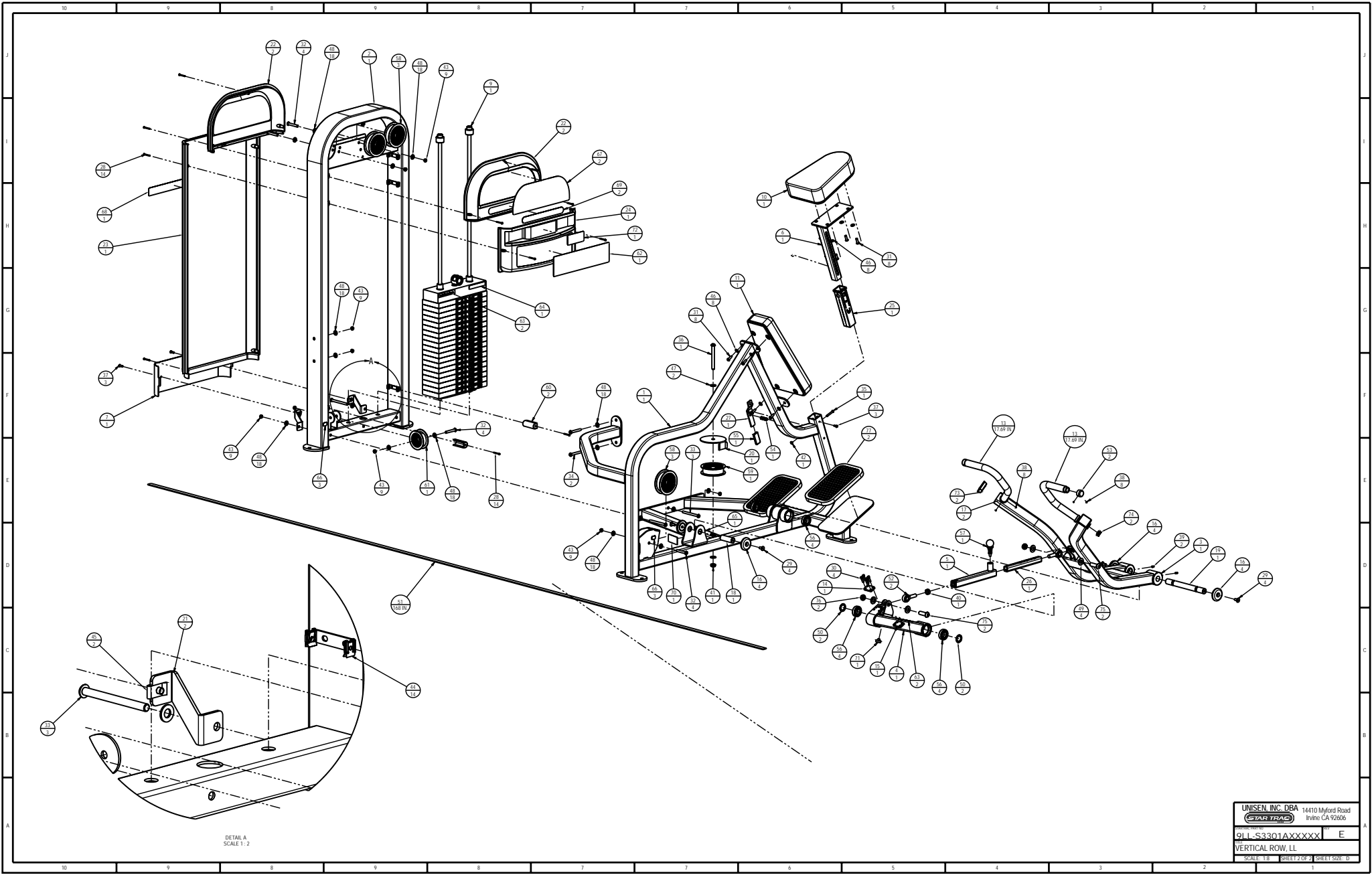
- NOTES:
1. INTERPRET DRAWING PER ASME Y14.5M-1994.
 2. REMOVE ALL BURRS AND SHARP EDGES 0T5/030.
 3. IF APPLICABLE, CRITICAL DIMENSIONS LABELED.
 4. ALL HARDWARE KITTED PER 3700-0027.
 5. ALL UPHOLSTERY KITTED PER 3700-0074.
 6. EST. GROSS WT. 588 LBS.

DOCUMENT STATUS:
RELEASED



MATERIAL	SEE BOM
FINISH	SEE BOM
CHECKED	DATE
APPROVED	DATE

UNISEN, INC. DBA 14410 Myford Road Irvine, CA 92606	9/LL-S3301AXXXXX	E
VERTICAL ROW LL	SCALE: 1:1	SHEET 2 OF 2 SHEET SIZE: B



DETAIL A
SCALE 1:2

UNISEN, INC. DBA		14410 Myford Road	
STARTRAC		Irvine, CA 92606	
911-S3301AXXXXX		E	
VERTICAL ROW LL			
SCALE: 1:8	SHEET 2 OF 2	SHEET SIZE: D	