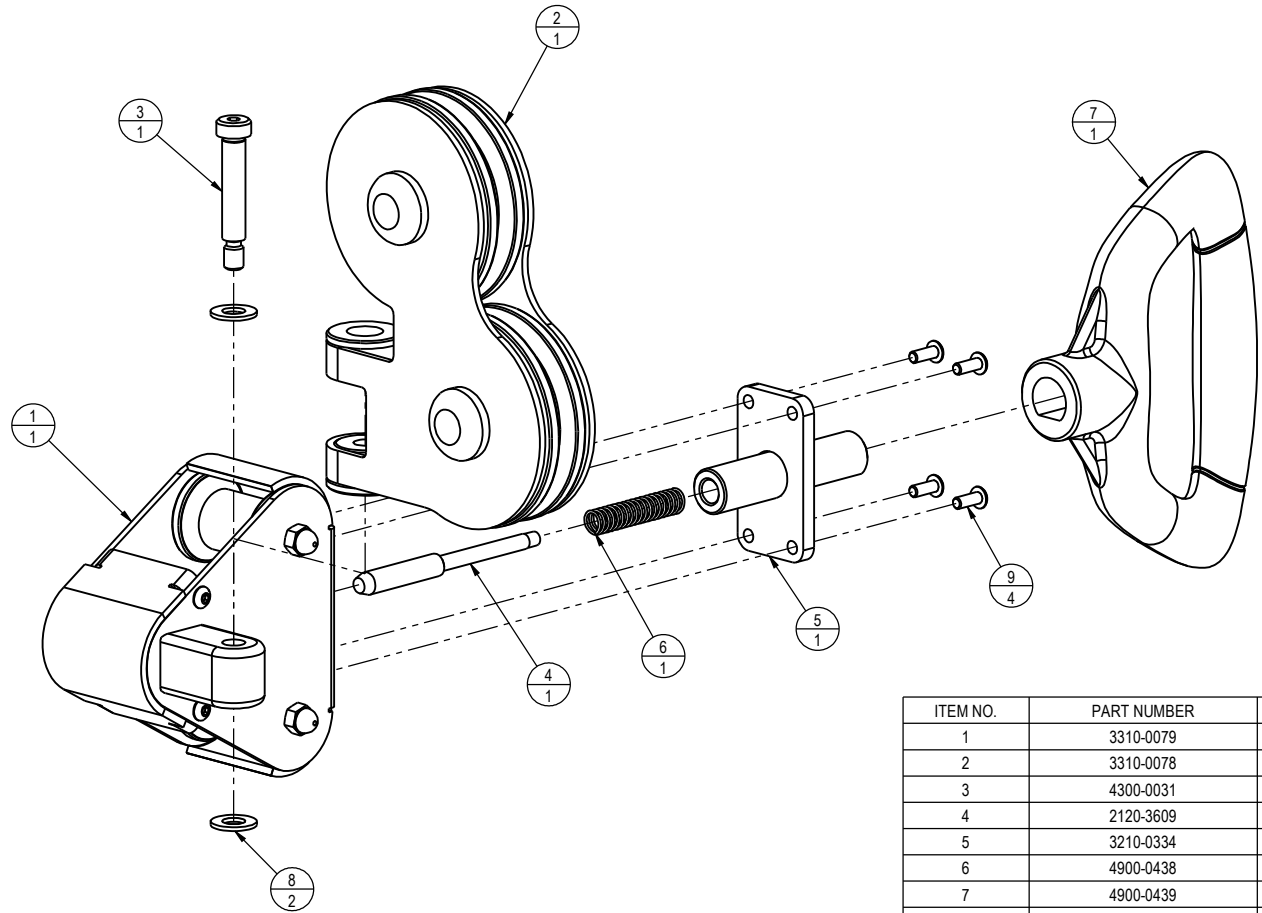


REVISIONS				
REV.	DATE	DESCRIPTION	ECO	BY
A	10/18/06	RELEASE FOR PRODUCTION	11480	SJK



ITEM NO.	PART NUMBER	DESCRIPTION	QTY.
1	3310-0079	ASSY, MECH, PULLEY, ADJ, DP	1
2	3310-0078	ASSY, MECH, BRK, PULLEY, DP	1
3	4300-0031	SHOULDER BOLT 3/8 X 1.75	1
4	2120-3609	PIN, SLIDE, DP	1
5	3210-0334	ASSY, WELD, BASE & INSERT, DP	1
6	4900-0438	SPRING, HANDLE, DP	1
7	4900-0439	GRIP, HANDLE, DAP	1
8	4900-0449	MACHINE BUSHING, 3/8"	2
9	4230-0002	BHSCS, 10-32 X 1/2, BZ	4

NOTES: UNLESS OTHERWISE SPECIFIED

1. INTERPRET DRAWING PER ASME Y14.5M-1994.
2. REMOVE ALL BURRS AND SHARP EDGES .015/.030.
3. IF APPLICABLE CRITICAL DIMENSIONS LABELED.

DOCUMENT STATUS:
RELEASE

NOTICE OF PROPRIETARY INFORMATION

THIS DOCUMENT SHALL NOT BE REPRODUCED NOR SHALL THE INFORMATION CONTAINED HEREIN BE USED BY OR DISCLOSED TO OTHER EXCEPT AS EXPRESSLY AUTHORIZED BY UNISEN

MATERIAL SEE BOM		TOLERANCES UNLESS OTHERWISE SPECIFIED X.XXX = ± .010 ANGLES = ± 2° X.XX = ± .030 FRACTIONS = ± 1/32 X.X = ± .050 X = ± .125		UNISEN, INC. DBA 14410 Myford Road Irvine CA 92606	
FINISH NONE		INITIAL DRAWN SJK	DATE 04/14/06	PART NO. 3310-0102	REV. A
		CHECKED		TITLE ASSY, MECH, DUAL PULLEY, LH, DP	
		APPROVED		SCALE: 1:2	SHEET 1 OF 1 SHEET SIZE: B
		U.O.M.	INCH		