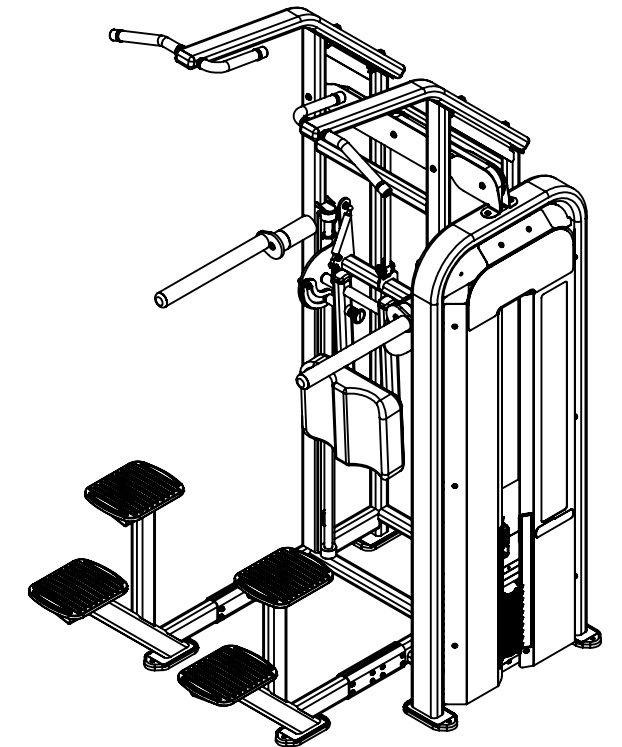
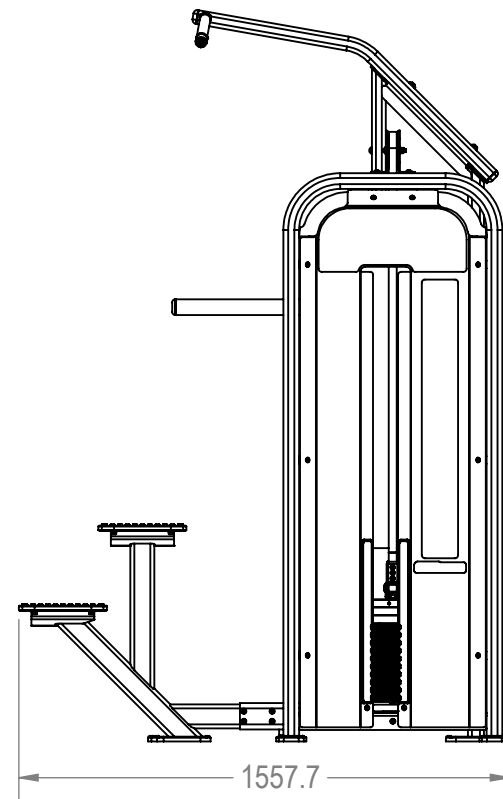
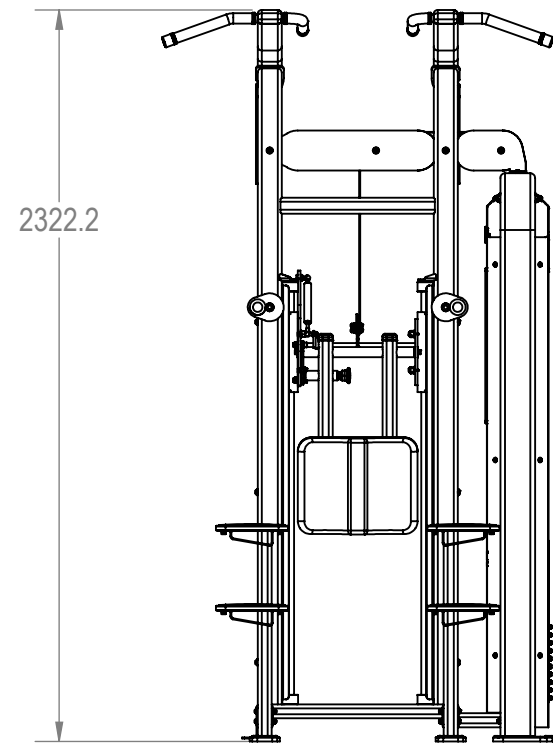
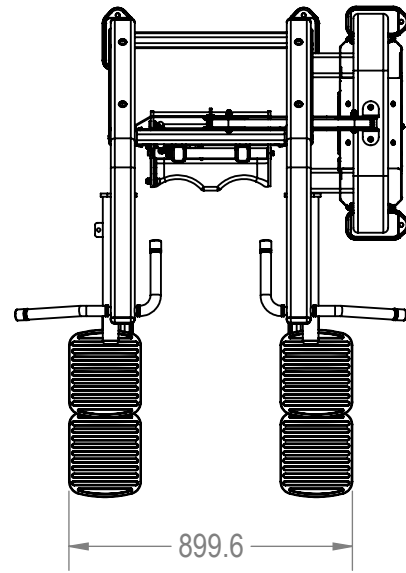


REVISION HISTORY				
REV	DATE	DESCRIPTION	ECO	BY
A	12/1/2011	RELEASED FOR PRODUCTION AT LAND AMERICA	----	LA
B	7/4/2012	UPDATE DESIGN ON THE FOLLOWING COMPONENTS: 731-2073, 731-4237, 731-4248, 731-4254, 731-4260, 731-4265, 731-4268, 731-4270, 731-4277, 731-4282, 731-4300, 731-4302, 731-4311, 731-5184, 731-5186, 731-5219, 731-5508.	13715	CLK



NOTICE OF PROPRIETARY INFORMATION
 THIS DOCUMENT SHALL NOT BE REPRODUCED NOR SHALL THE INFORMATION CONTAINED HEREIN BE USED BY OR DISCLOSED TO OTHER EXCEPT AS EXPRESSLY AUTHORIZED BY CORE INDUSTRIES, INC., D.B.A. STAR TRAC.

DOCUMENT STATUS:

NOTES:

CLASS OF WORK	UNLESS OTHERWISE SPECIFIED DIMS ARE IN mm. TOLERANCES FOR MEASURE OF LENGTH ARE:							ANGLES = ±2°
	0.5 to 3	> 3 to 6	> 6 to 30	> 30 to 120	> 120 to 400	> 400 to 1000	> 1000 to 2000	
FINE	±0.05	±0.05	±0.1	±0.15	±0.2	±0.3	±0.5	----
MEDIUM X	±0.1	±0.1	±0.2	±0.3	±0.5	±0.8	±1.2	±2
COARSE	±0.2	±0.3	±0.5	±0.8	±1.2	±2	±3	±4
VERY COARSE	----	±0.5	±1	±1.5	±2.5	±4	±6	±8

MATERIAL
SEE BOM

FINISH
N/A

VENDOR: N/A

P/N: N/A

THIRD ANGLE PROJECTION



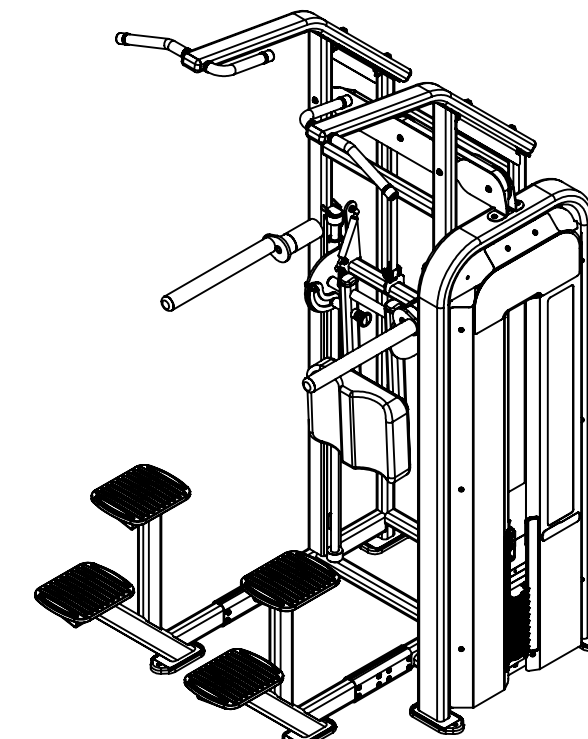
DRAWN	INITIAL CLK	DATE 2/8/2012
CHECKED		
APPROVED		
	U.O.M.	MM

CORE INDUSTRIES, INC. DBA

 14410 Myford Road
 Irvine CA 92606

STARTRAC PART NO	REV
LA-S6302-XXXXS	B
TITLE LA, SSS, CHIN DIP ASSIST	
SCALE: 1:24	SHEET 1 OF 9 SHEET SIZE: B

9				8				7				6				5				4				3				2				1																																																																																																																																																																																																																			
J				I				H				G				F				E				D				C				B				A																																																																																																																																																																																																															
ITEM NO.	PART NUMBER	DESCRIPTION	QTY.	ITEM NO.	PART NUMBER	DESCRIPTION	QTY.	ITEM NO.	PART NUMBER	DESCRIPTION	QTY.	ITEM NO.	PART NUMBER	DESCRIPTION	QTY.	ITEM NO.	PART NUMBER	DESCRIPTION	QTY.	ITEM NO.	PART NUMBER	DESCRIPTION	QTY.	ITEM NO.	PART NUMBER	DESCRIPTION	QTY.	ITEM NO.	PART NUMBER	DESCRIPTION	QTY.																																																																																																																																																																																																																				
1	4800-0001	BELT, 6302	2500	46	731-3115	HOUSING,PLASTIC,WGT STACK,IMP	2	91	731-4316	SHIPPING FOOT	1	47	731-3320	BRONZE BUSHING,32X20	2	92	731-4317	STICKER,LNL,6302	1	48	731-3391	BELT CLAMP BODY	1	93	731-4318-XX	CLAMSHELL,76.2X250MM,4HOLE	2	49	731-3392	PLATE,THREADED,BELT CLAMP	1	94	731-4780	STICKER,LOCK N LOAD,IMPACT	1	50	731-3393	BELT CLAMP PLATE	2	95	731-4894	NUT,M16X1.5, NYLOC, ZP	1	51	731-3396	SHROUD CENTER SUPPORT	1	96	731-4956	PLACARD,IMPACT,CHIN DIP ASSIST	1	52	731-3522	SCREW,M8 X 1.25,110mm,BHC,HK,NP	3	97	731-5161	STICKER, IMPACT STRENGTH	1	53	731-3540	PIN,BELT CLAMP	1	98	731-5184	PLATE,FOOT PAD, 8MM	4	54	731-3541	CLIP,BELT CLAMP PIN	2	99	731-5186	SCREW,M8 X 1.25, 12MM, SHC, HK, CS, NP	16	55	731-3559	SCREW,M10 X 1.5,65MM,BHC,HK, NP	2	100	731-5187	WINDOW,IMP,TALL	1	56	731-3662	CAP,TUBE,44.5 X 50.8	4	101	731-5219	WINDOW,INSIDE,IMP,LONG	1	57	731-3773	PLATE, BELT CLAMP, IMP	2	102	731-5496	TUBE,GUIDE,BEARING,SMITH	2	58	731-3780	SCREW,M6 X1.0, 35mm, BHC,HK	4	103	731-5508	WASHER, WAVE 25.4MM ID	2	59	731-4237-XX	ASSY, WELD, MAIN FRAME, CHIN DIP	1	104	731-5534	NUT, M12 X 1.5, NYLOC	4	60	731-4248-XX	ASSY, WELD, KNEE PIVOT, CHIN DIP	1	105	731-5559	SCREW, M10 X 1.5, 35mm, SHC, HK, CS, NP	2	61	731-4254	ASSY,WELD, KNEE SLED, CHIN DIP	1	62	731-4260-XX	ASSY, WELD, ADJUSTABLE GRIP	2	63	731-4265-XX	ASSY, WELD, CHIN UP, RH	1	64	731-4268-XX	ASSY, WELD, CHIN UP, LH	1	65	731-4270-XX	ASSY,WELD,STEPS,LHS	1	66	731-4277-XX	ASSY,WELD,STEPS,RH	1	67	731-4279-XX	CLAMSHELL,76.2X250MM	2	68	731-4280	LINEAR SYSTEM FINGER GUARD	2	69	731-4281	ROM PLATE, INNER, KNEE PIVOT	1	70	731-4282	ROM PLATE, OUTER, KNEE PIVOT	1	71	731-4283	ASSY,SHOCK,SEAT SLED,120LBS	1	72	731-4284	BUMPER,ROUND,25MM ID	4	73	731-4285-XX	PULLEY COVER, OUTER	1	74	731-4286-XX	PULLEY COVER, INNER	1	75	731-4287	SPACER, PULLEY COVERS	1	76	731-4288	STICKER,NAME,CHIN DIP ASSIST	1	77	731-4290	CAP, BEARING TUBE STOP	2	78	731-4295	ASSY,WGT STK,130 KG, 30KG TOP PLATE	1	79	731-4296-00XX	ASSY,UPHOLSTERY,285 x 715	1	80	731-4297	ASSY,WGT FRAME,6302	1	81	731-4299	SHROUD,INSIDE,6302	1	82	731-4300	SHROUD,OUTSIDE,6302	1	83	731-4301	STUD,AXLE,12MM X 1.5P X 40MM	4	84	731-4302	GRIP, INSIDE,6302	2	85	731-4303	GRIP, OUTSIDE,6302	2	86	731-4305	STOP, 25MM SHAFT	2	87	731-4310	ROD,GUIDE,25MM X 1324,THRD	2	88	731-4311	PULL PIN ASSY,12.5 X 127	1	89	731-4314	SHAFT,20 X 377,D	1	90	731-4315	GUIDE RODE,Ø22MM X 1363MM	2

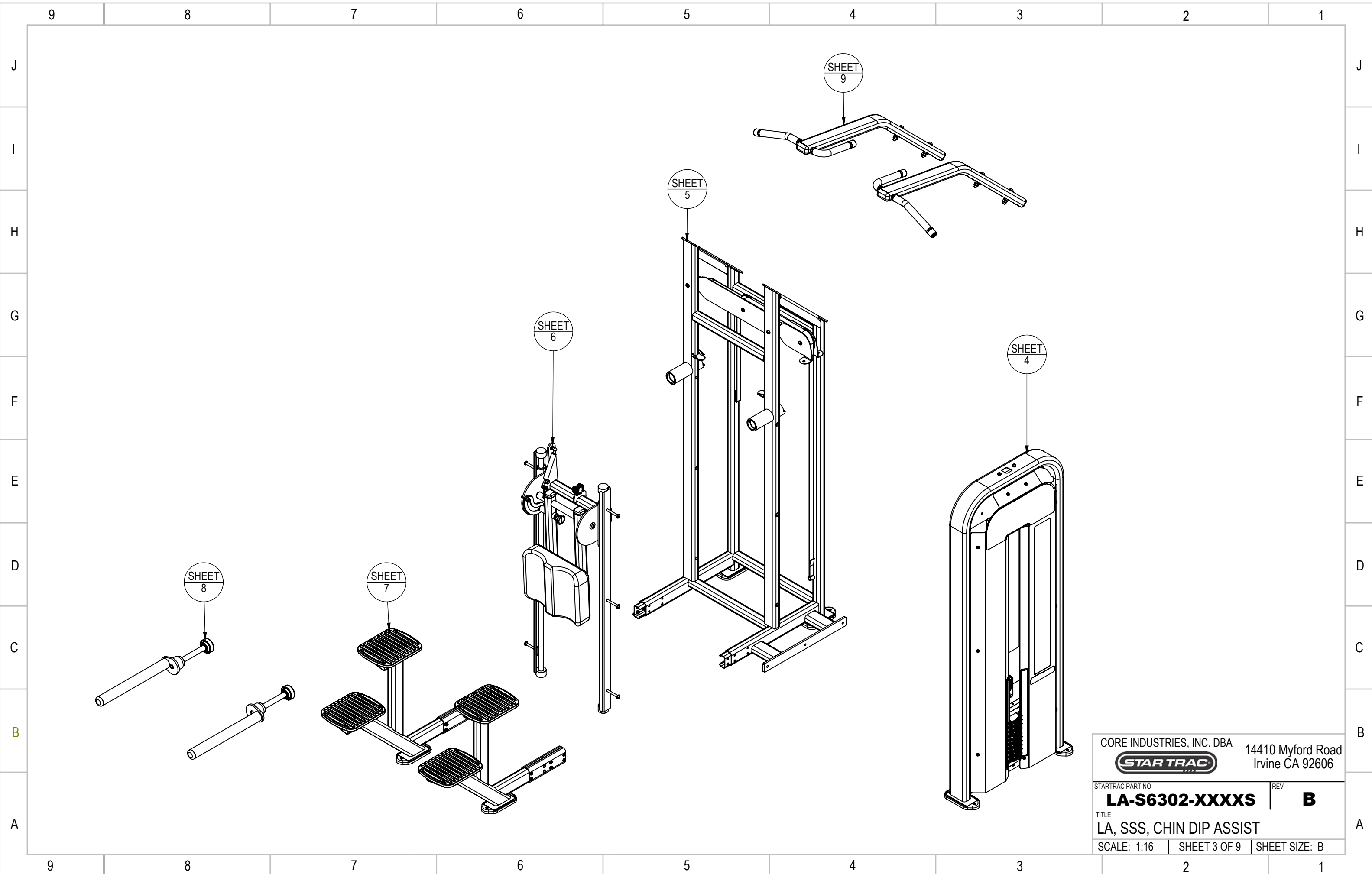


CORE INDUSTRIES, INC. DBA **STAR TRAC** 14410 Myford Road
Irvine CA 92606

STARTRAC PART NO. **LA-S6302-XXXXS** REV **B**

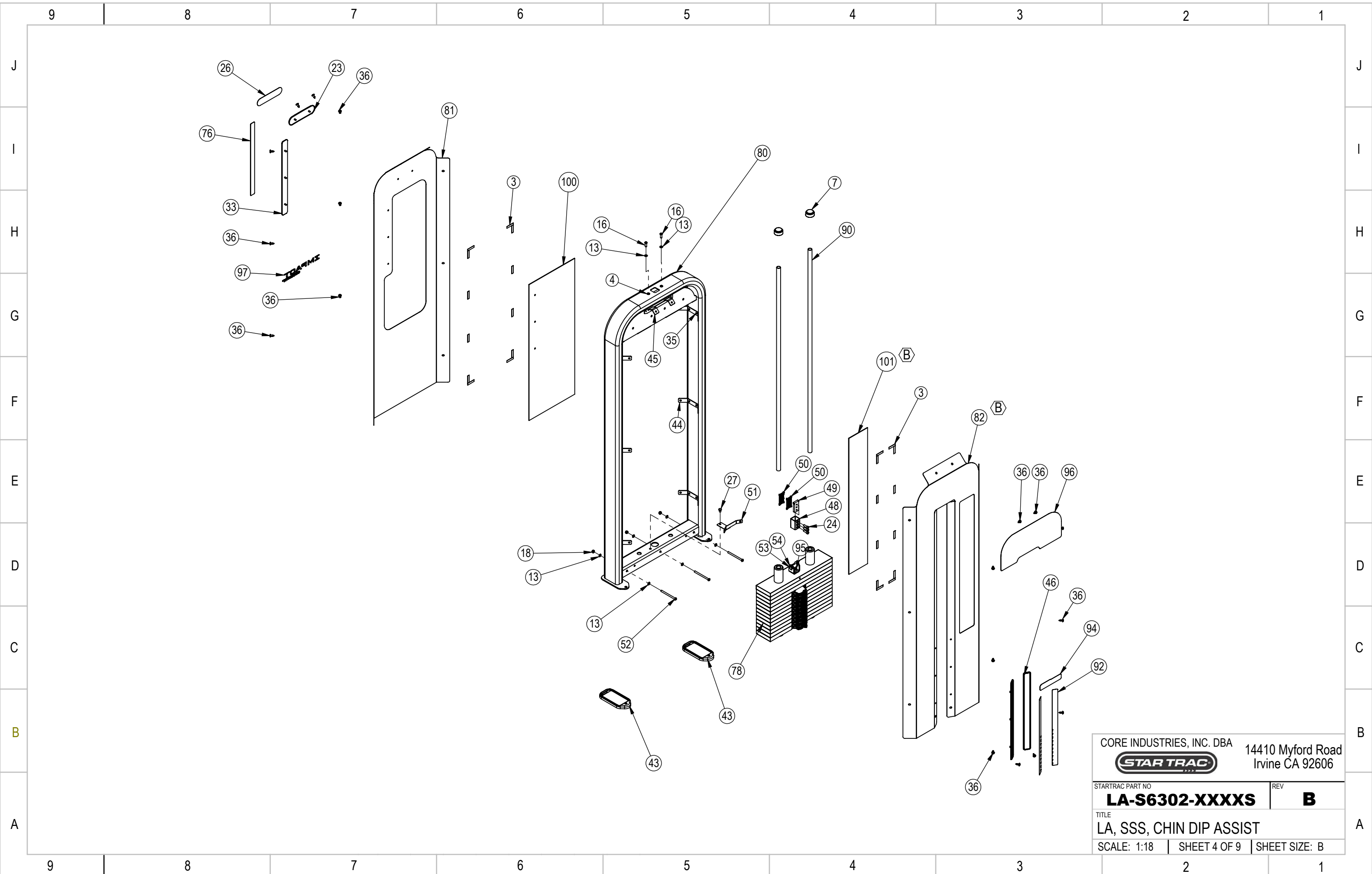
TITLE **LA, SSS, CHIN DIP ASSIST**

SCALE: 1:24 | SHEET 2 OF 9 | SHEET SIZE: B

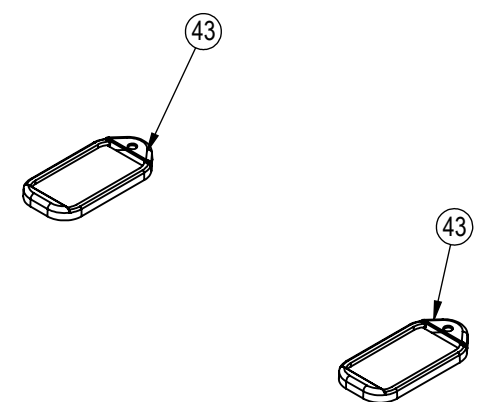
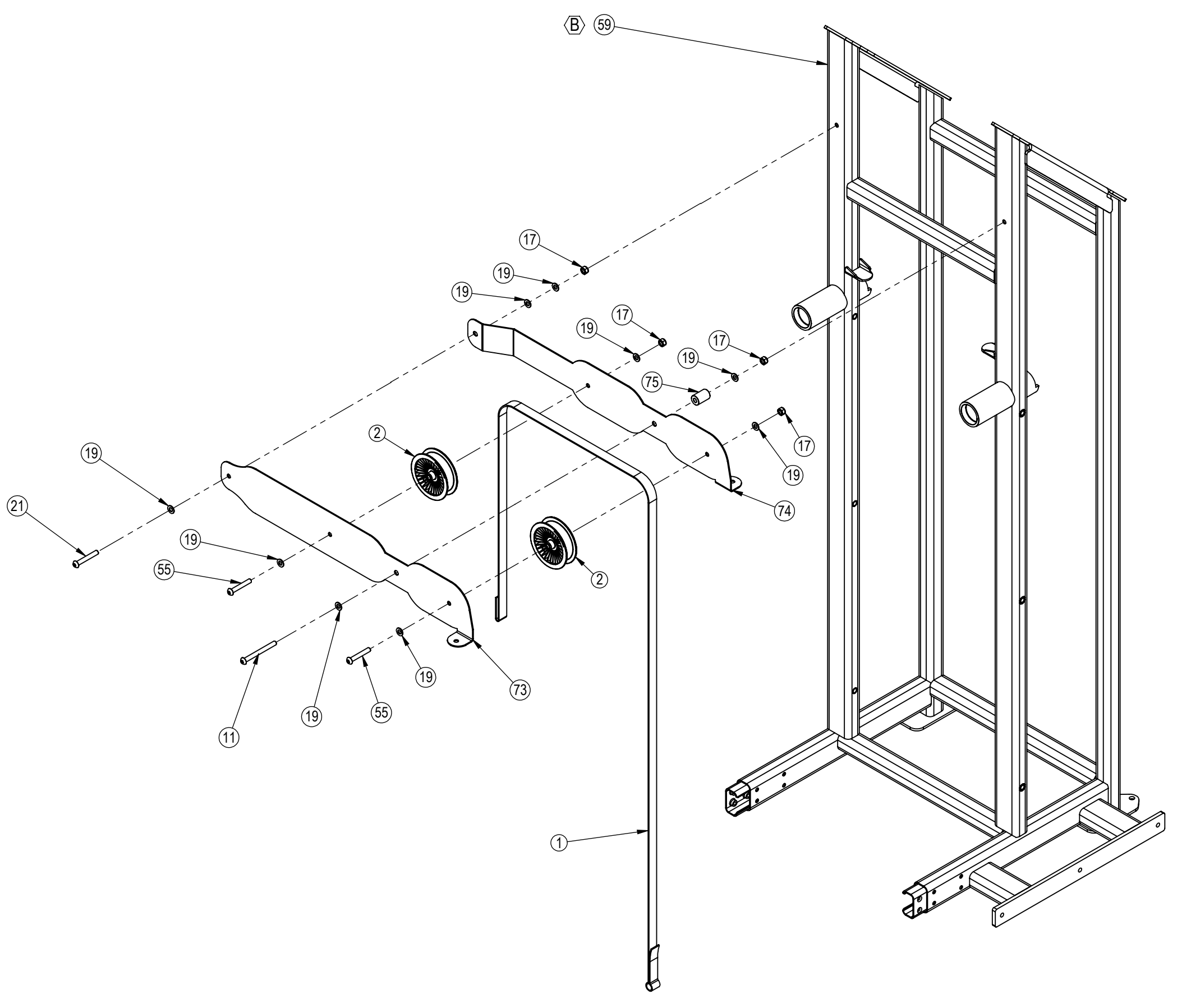


CORE INDUSTRIES, INC. DBA **STAR TRAC** 14410 Myford Road
Irvine CA 92606

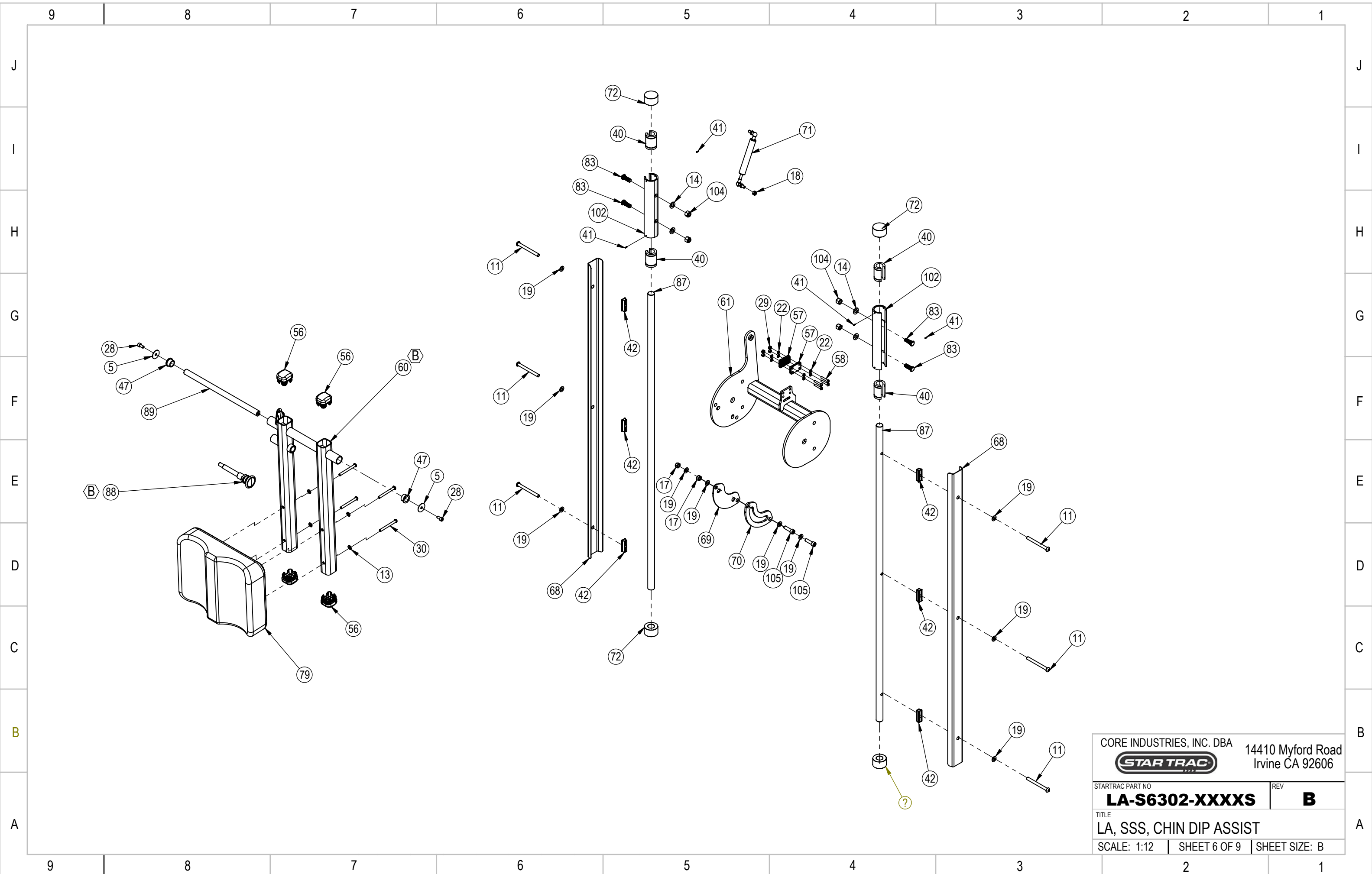
STARTRAC PART NO	REV
LA-S6302-XXXXS	B
TITLE	
LA, SSS, CHIN DIP ASSIST	
SCALE: 1:16	SHEET 3 OF 9 SHEET SIZE: B



CORE INDUSTRIES, INC. DBA		14410 Myford Road Irvine CA 92606	
STAR TRAC			
STARTRAC PART NO.	LA-S6302-XXXXS		REV B
TITLE LA, SSS, CHIN DIP ASSIST			
SCALE: 1:18	SHEET 4 OF 9	SHEET SIZE: B	

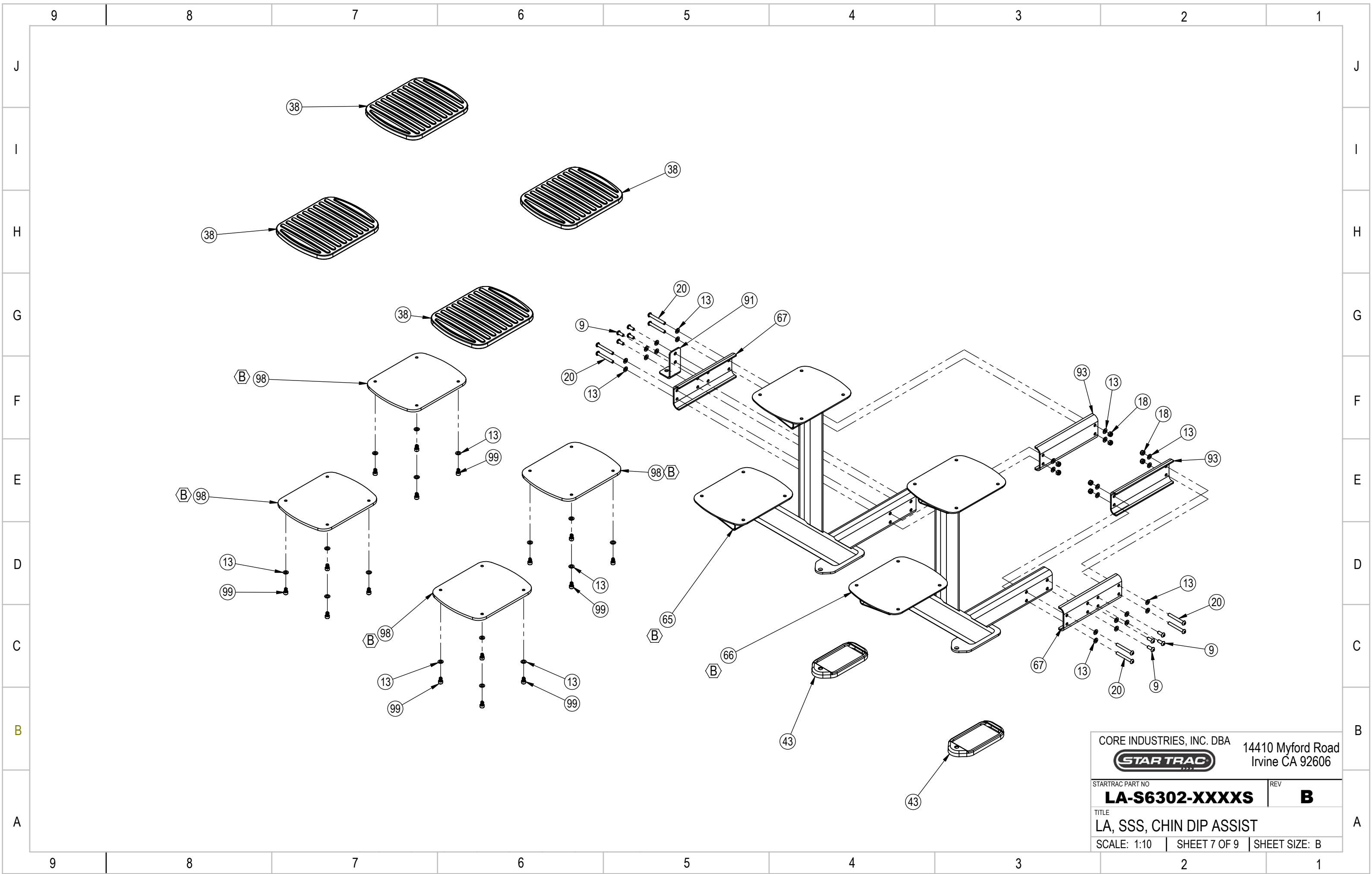


CORE INDUSTRIES, INC. DBA		14410 Myford Road Irvine CA 92606	
STARTRAC			
STARTRAC PART NO	LA-S6302-XXXXS		REV B
TITLE	LA, SSS, CHIN DIP ASSIST		
SCALE: 1:10	SHEET 5 OF 9	SHEET SIZE: B	



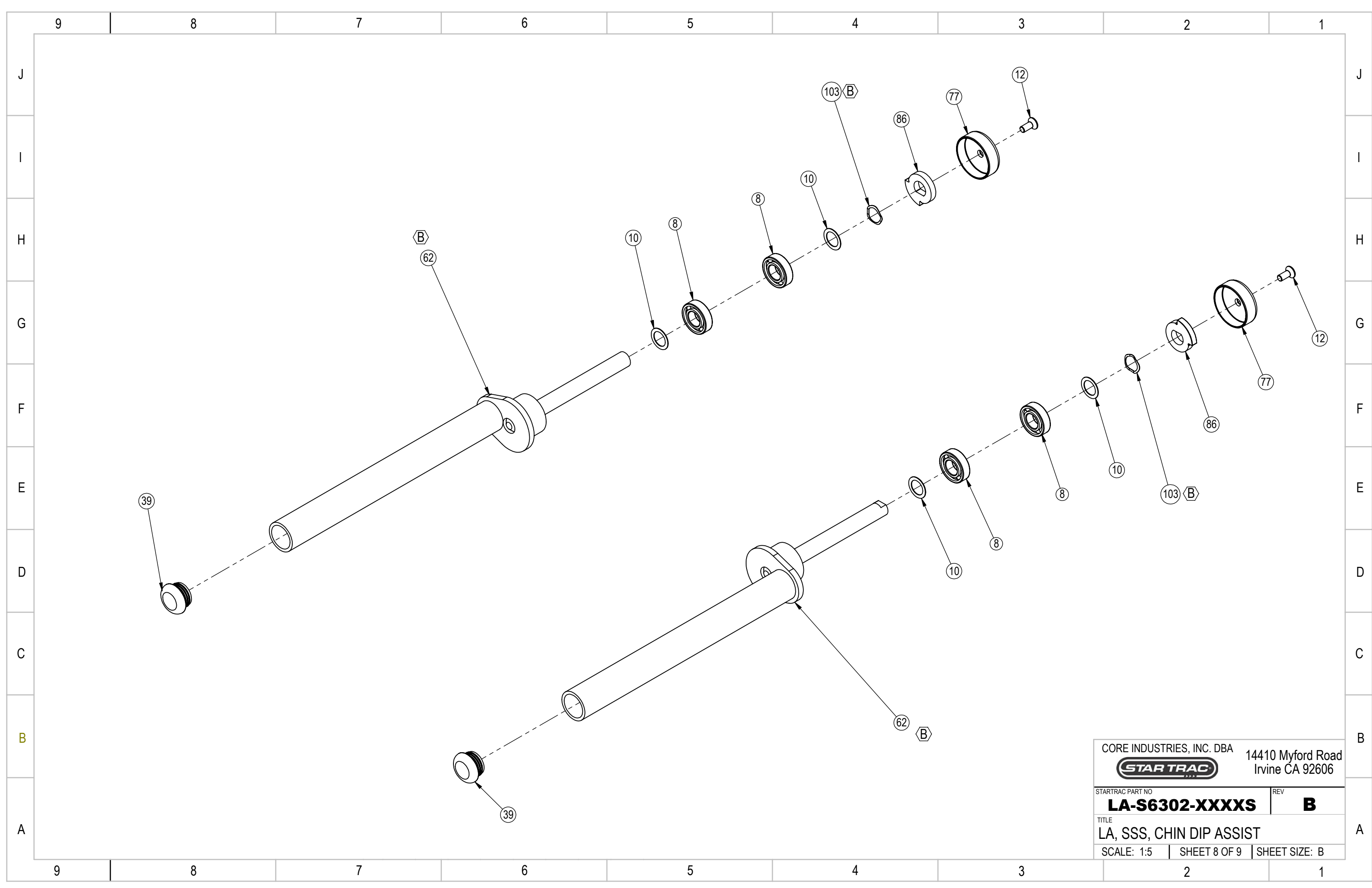
CORE INDUSTRIES, INC. DBA **STARTRAC** 14410 Myford Road
Irvine CA 92606

STARTRAC PART NO	REV
LA-S6302-XXXXS	B
TITLE	
LA, SSS, CHIN DIP ASSIST	
SCALE: 1:12	SHEET 6 OF 9
SHEET SIZE: B	

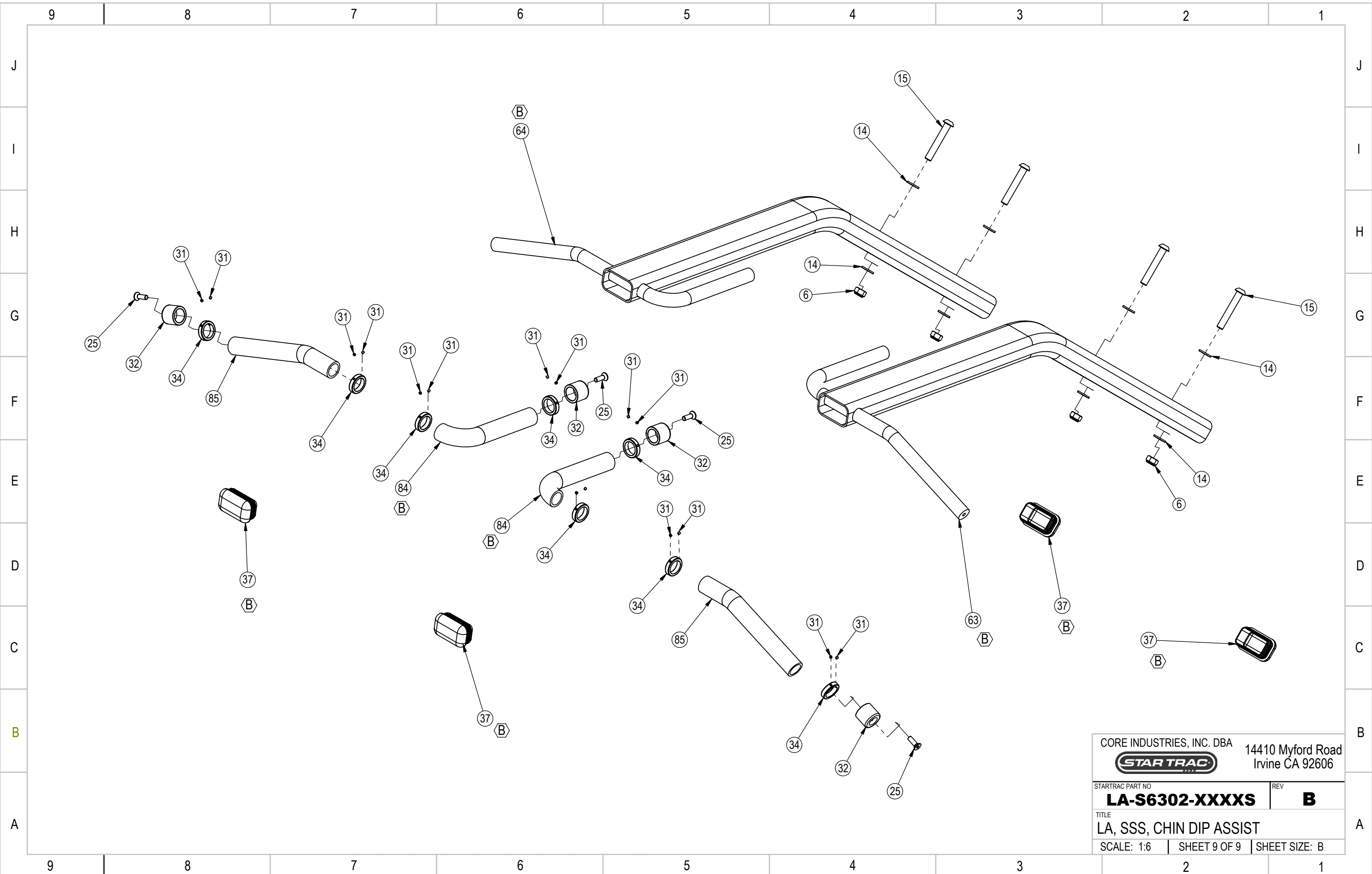


CORE INDUSTRIES, INC. DBA **STARTRAC** 14410 Myford Road
Irvine CA 92606

STARTRAC PART NO	REV
LA-S6302-XXXXS	B
TITLE LA, SSS, CHIN DIP ASSIST	
SCALE: 1:10	SHEET 7 OF 9 SHEET SIZE: B



CORE INDUSTRIES, INC. DBA		14410 Myford Road Irvine CA 92606	
STARTRAC			
STARTRAC PART NO.	LA-S6302-XXXXS		REV B
TITLE LA, SSS, CHIN DIP ASSIST			
SCALE: 1:5	SHEET 8 OF 9	SHEET SIZE: B	



CORE INDUSTRIES, INC. DBA **STARTRAC** 14410 Myford Road
Irvine CA 92606

STARTRAC PART NO	REV
LA-S6302-XXXXS	B
TITLE	
LA, SSS, CHIN DIP ASSIST	
SCALE: 1:6	SHEET 9 OF 9 SHEET SIZE: B