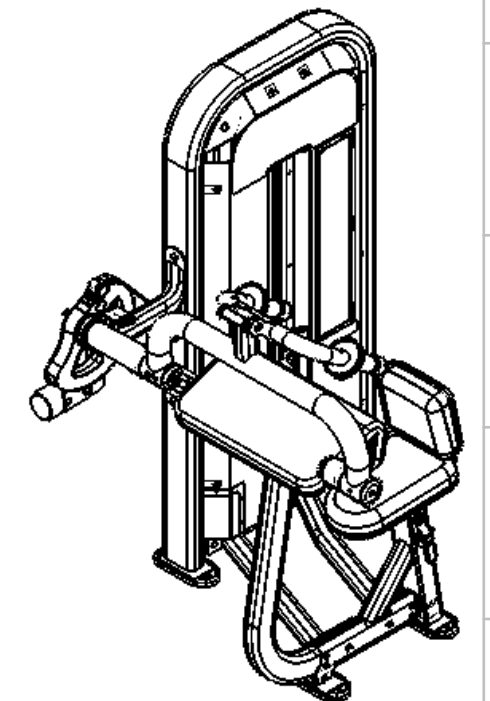
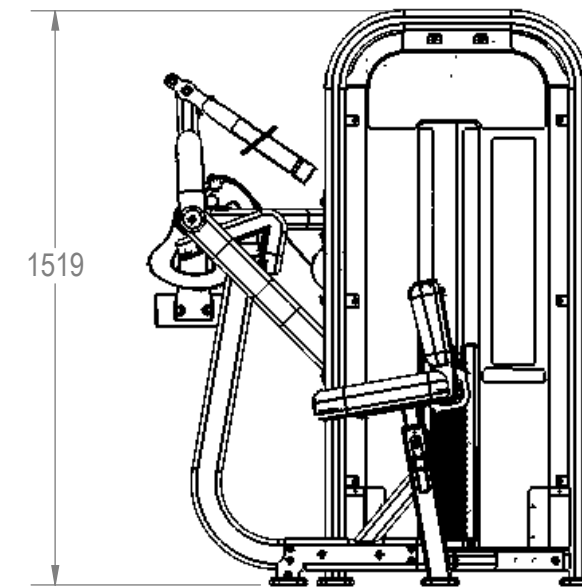
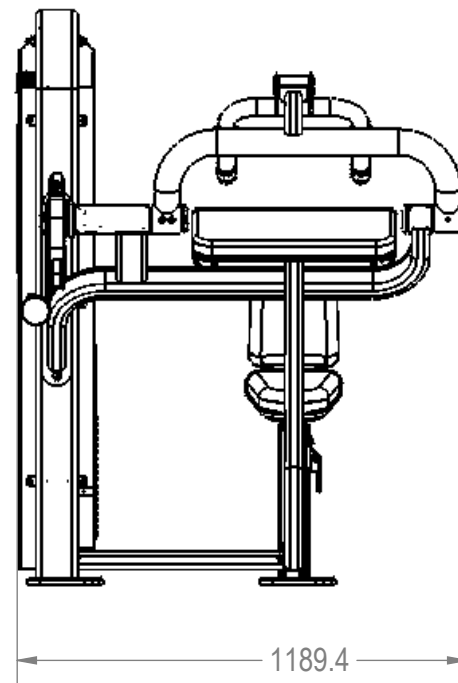
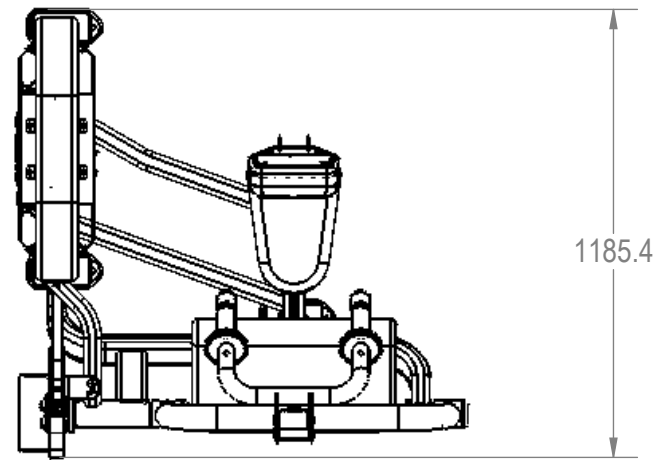


REVISION HISTORY				
REV	DATE	DESCRIPTION	ECO	BY
A	12/1/2011	RELEASED FOR PRODUCTION AT LAND AMERICA	----	LA
B	6/20/2012	UPDATE DESIGN AND COMPONENTS USED: IS 731-0312 (*IN TWO PLACES ONLY) WAS 731-1265 , PART 731-0660 ADDED TO ASSEMBLY. THE FOLLOWING UPDATED: 731-3109 , 731-4063, 731-4103, 731-4107, 731-4125, 731-4127, 731-5217.	13690	CLK



NOTICE OF PROPRIETARY INFORMATION
 THIS DOCUMENT SHALL NOT BE REPRODUCED NOR SHALL THE INFORMATION CONTAINED HEREIN BE USED BY OR DISCLOSED TO OTHER EXCEPT AS EXPRESSLY AUTHORIZED BY CORE INDUSTRIES, INC., D.B.A. STAR TRAC.

DOCUMENT STATUS:

NOTES:

CLASS OF WORK	UNLESS OTHERWISE SPECIFIED DIMS ARE IN mm. TOLERANCES FOR MEASURE OF LENGTH ARE:							ANGLES = ±2°
	0.5 to 3	>3 to 6	>6 to 30	>30 to 120	>120 to 400	>400 to 1000	>1000 to 2000	
FINE	±0.05	±0.05	±0.1	±0.15	±0.2	±0.3	±0.5	----
MEDIUM	±0.1	±0.1	±0.2	±0.3	±0.5	±0.8	±1.2	±2
COARSE	±0.2	±0.3	±0.5	±0.8	±1.2	±2	±3	±4
VERY COARSE	----	±0.5	±1	±1.5	±2.5	±4	±6	±8

MATERIAL
SEE BOM

FINISH
N/A

VENDOR: N/A

P/N: N/A

THIRD ANGLE PROJECTION

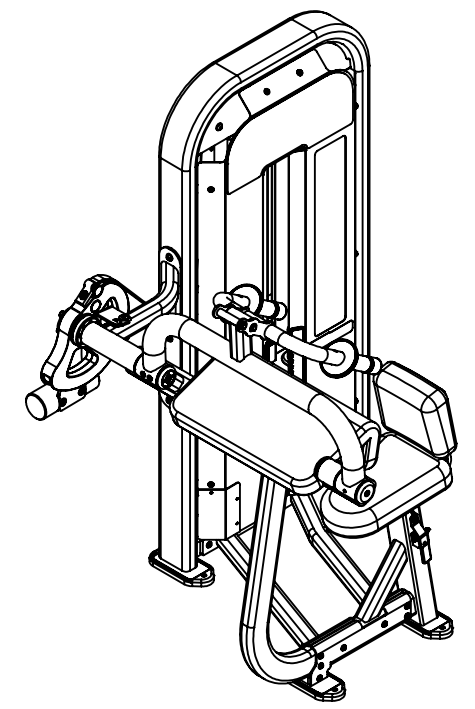


DRAWN	INITIAL CLK	DATE 6/8/2012
CHECKED		
APPROVED		
	U.O.M.	MM

CORE INDUSTRIES, INC. DBA
STAR TRAC
 14410 Myford Road
 Irvine CA 92606

STARTRAC PART NO. LA-S5302-XXXXS	REV B
TITLE LA, SSS, TRICEPS EXTENSION	
SCALE: 1:20	SHEET 1 OF 7
SHEET SIZE: B	

9		8		7		6		5		4		3		2		1	
	ITEM NO.	PART NUMBER	DESCRIPTION	QTY.		ITEM NO.	PART NUMBER	DESCRIPTION	QTY.		ITEM NO.	PART NUMBER	DESCRIPTION	QTY.			
J	1	4800-0001	BELT, 1312	117		46	731-2080	BUMPER,ADJ,HYPER	1		91	731-4117	PIN, PIVOT,15MM X 106	2			
	2	4900-0072	CAM, VRC-6	1		47	731-2396	WASHER,ID10.4,OD40,BZ	2		92	731-4118	PLASTIC STOP,15MM X 80MM	1			
	3	4900-0440	PULLEY,BELT,4.75D,3/8B,1.5W,MOLDED	1		48	731-2523	SCREW,M6,50MM,SHCS,HK,CS,BZ	1		93	731-4119	STICKER,NAME,TRICEPS EXTENSION	1			
I	4	4900-0620	PULLEY,BELT,4.75D,3/8B,1.74W,MOLDED	2		49	731-2647	FOOT,LONG,LEVERAGE	4		94	731-4120	BRKT,OUTER BOLT PLATE,5301-2	1			
	5	4900-0626	TAPE, 3M VHB 5925	1100	(B)	50	731-3109	SHROUD,INSIDE,TALL,IMP	1		95	731-4122	ASSY,WGT FRAME,5301-2	1			
	6	730-0913	BUMPER,DIA 25MM	5		51	731-3111	SHROUD,OUTSIDE,SHORT,IMP	1		96	731-4123-00XX	ASSY,UPHOLSTREY,ELBOW PAD,5301-2	1			
H	7	731-0022-00XX	ASSY,UPHOLSTERY,HEAD REST	1		52	731-3113	BRKT,SHROUD,IMP	5	(B)	97	731-4125	GRIP, 5302	2			
	8	731-0033	NUT, RIVET,M8 X 1.25	1		53	731-3114	BRKT, SHROUD, UPPER,IMP	2	(B)	98	731-4127	PAD, GRIP REST,RUBBER	2			
	9	731-0034	WASHER,M8,34MM OD,1.5MM THK	1		54	731-3115	HOUSING,PLASTIC,WGT STACK,IMP	2		99	731-4780	STICKER,LOCK N LOAD,IMPACT	1			
G	10	731-0113	ASSY,2.5Kg,ADD ON	1		55	731-3116	BRKT,MOUNT,LOWER,INCR CHNL,IMP	1		100	731-4882	WINDOW,IMP,SHORT	1			
	11	731-0124	CAP,GUIDE ROD,RUBBER	2		56	731-3117	COVER,SHROUD,LEFT,IMP	1		101	731-4894	NUT,M16X1.5, NYLOC, ZP	1			
	12	731-0130	BEARING,15mm BORE,35MM OD,11MM	2		57	731-3118	COVER,SHROUD,RIGHT, IMP	1		102	731-4955	PLACARD,IMPACT, TRICEPS EXTENSION	1			
F	13	731-0137	BEARING,52 OD,25 ID,X 15MM	4		58	731-3122	Brkt,mount,upper,increm. channel,IMP	1		103	731-5161	STICKER, IMPACT STRENGTH	1			
	14	731-0208	MACHINE WASHER 25MM ID	2		59	731-3323	STICKER,IMP,130 KG	1		104	731-5217	WINDOW,INSIDE,IMPACT,IMP,SHORT	1			
	15	731-0225	SCREW,M3.5 X 9.5,SELF TAPPING	4		60	731-3324	WELD,ADD ON,SHORT,IMP	2	(B)							
E	16	731-0287	NUT,M8x1.25,NYLOCK	7		61	731-3391	BELT CLAMP BODY	1								
	(B) 17	731-0312	CAP, END, 65MM	2		62	731-3392	PLATE,THREADED,BELT CLAMP	1								
	18	731-0319	SCREW,M10 X 1.5,75MM,BHC,ZP	4		63	731-3393	BELT CLAMP PLATE	2								
D	19	731-0351	SCREW,M10 X 1.5,25mm,FHM,HK	2		64	731-3396	SHROUD CENTER SUPPORT	1								
	20	731-0354	SCREW,M8 X 1.25,25MM,HHM,HE	6		65	731-3415	ASSY,WGT STK,90kG	1								
	21	731-0355	WASHER,PLAIN,M8,NARROW	48		66	731-3522	SCREW,M8 X 1.25,110mm,BHC,HK,NP	3								
C	22	731-0363	NUT,M10X1.5,NYLOC	6		67	731-3537	GUIDE RODE,Ø22MM X 1248MM	2								
	23	731-0365	NUT,M8 X 1.25,NYLOC JAM	9		68	731-3540	PIN,BELT CLAMP	1								
	24	731-0367	WASHER,PLAIN,M10	14		69	731-3541	CLIP,BELT CLAMP PIN	6								
B	25	731-0371	SCREW,M10 X 1.5,70MM,BHC,HK	2		70	731-3542	SCREW,M12 X 1.75,50mm,SHC,HK,CS,N	1								
	26	731-0373	WASHER,PLAIN,M6	4		71	731-3551	PIN,CAM,BELT CLAMP	1								
	27	731-0379	SCREW,M8 X1.25,20mm,SHC,HK	3		72	731-3552	CLAMP,CAM,BELT CLAMP	1								
A	28	731-0381	HOUSING,LOGO,STARTRAC	1		73	731-3553	WRAP PIN,BELT CLAMP	1								
	29	731-0390	SCREW,M8 X 1.25,25mm,SHC,HK	3		74	731-3775	END CAP,32MM	2								
	30	731-0397	SCREW,M8 X 1.25,25mm,FHM,HK	2		75	731-3776	TRIM RING,GRIP,32MM	2								
	31	731-0398	SCREW,M8 X 1.25,70mm,BHC,HK	7		76	731-3792-00XX	ASSY,UPHOLSTERY,SEAT	1								
	32	731-0513	STICKER,STAR TRAC,DECO,45MMX191MM	1		77	731-3796	ASSY,STOP,MOUNT,ADD ON,IMP	1								
	33	731-0532	SCREW,M8 X 1.25,12MM,HHM,HE	3		78	731-3802	HANDLE ASSY,SEAT ADJUST,RATCHET	1								
	34	731-0582	SETSCREW, M8 X 1.25, 10mm, CUP	1		79	731-3874	HOUSING,WGT FRAME,NAME,SHORT	1								
	35	731-0637	RING,BEAUTY,ADJ,PAD	1	(B)	80	731-4063	ASSY,WELD,MAIN FRAME,S5301	1								
	36	731-0638	SUPPORT,TUBE,ADJ,CHEST	1		81	731-4073	ASSY,WF CONNECT,LOWER,5301-2	1								
	(B) 37	731-0660	STICKER,AXIS/ROTATION,END CAP	2		82	731-4088	ASSY,WELD,CAM AXLE	1								
	38	731-1043	SCREW, M10X1.5, 75MM, SHC, HK, NP	4		83	731-4093	ASSY,WELD,PASS THROUGH,5301	1								
	39	731-1265	CAP,END,65MM,NO GROOVE	1		84	731-4096	PLATE, MOUNT,C'BALANCE,5301-2	1								
	39	731-1363	NUT, M6X1.0, NYLOC	3		85	731-4099	C'BALANCE, 7KG	1								
	41	731-1720	SCREW,M8 X 45,SHS,HK,CS,NI	2		86	731-4102	SHAFT, 25MM X 141.5	1								
	42	731-1777	SCREW,M8 X 1.25,30mm,BHC,HK	12	(B)	87	731-4103	ASSY,SEAT POST,5302	1								
	43	731-1932	RIVET,5MM	14	(B)	88	731-4107	ASSY,WELD,TRICEP ARM	1								
	44	731-1933	RIVET, PUSH TYPE	19		89	731-4109	ASSY, WELD, TRICEPT ARM UPPER	1								
	45	731-2079	SCREW,M4 X .7,8MM,SHC,HK,NP	2		90	731-4114	ASSY,WELD,STOP,TRICEPS	1								

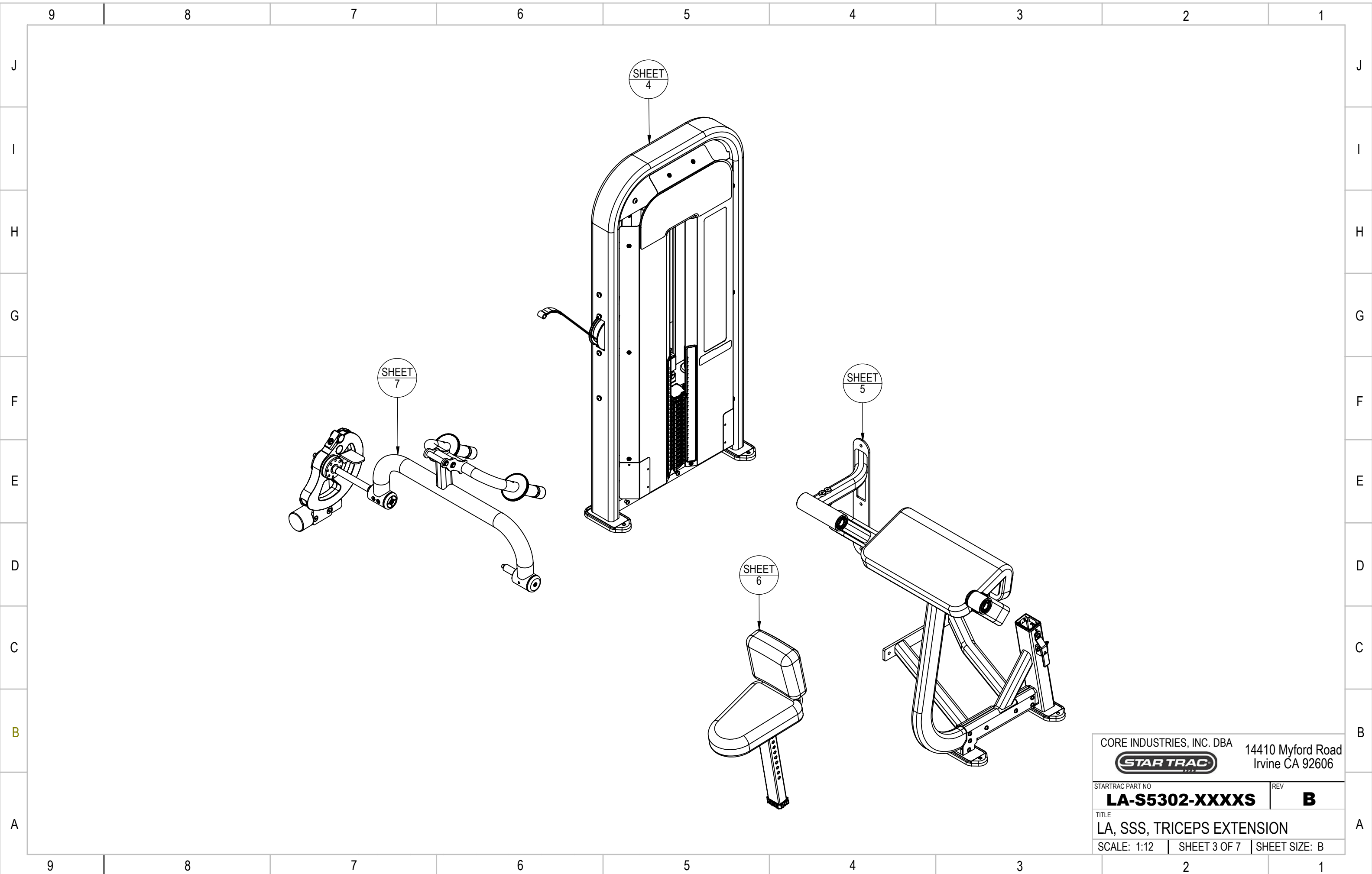


CORE INDUSTRIES, INC. DBA **STARTRAC** 14410 Myford Road
Irvine CA 92606

STARTRAC PART NO **LA-S5302-XXXXS** REV **B**

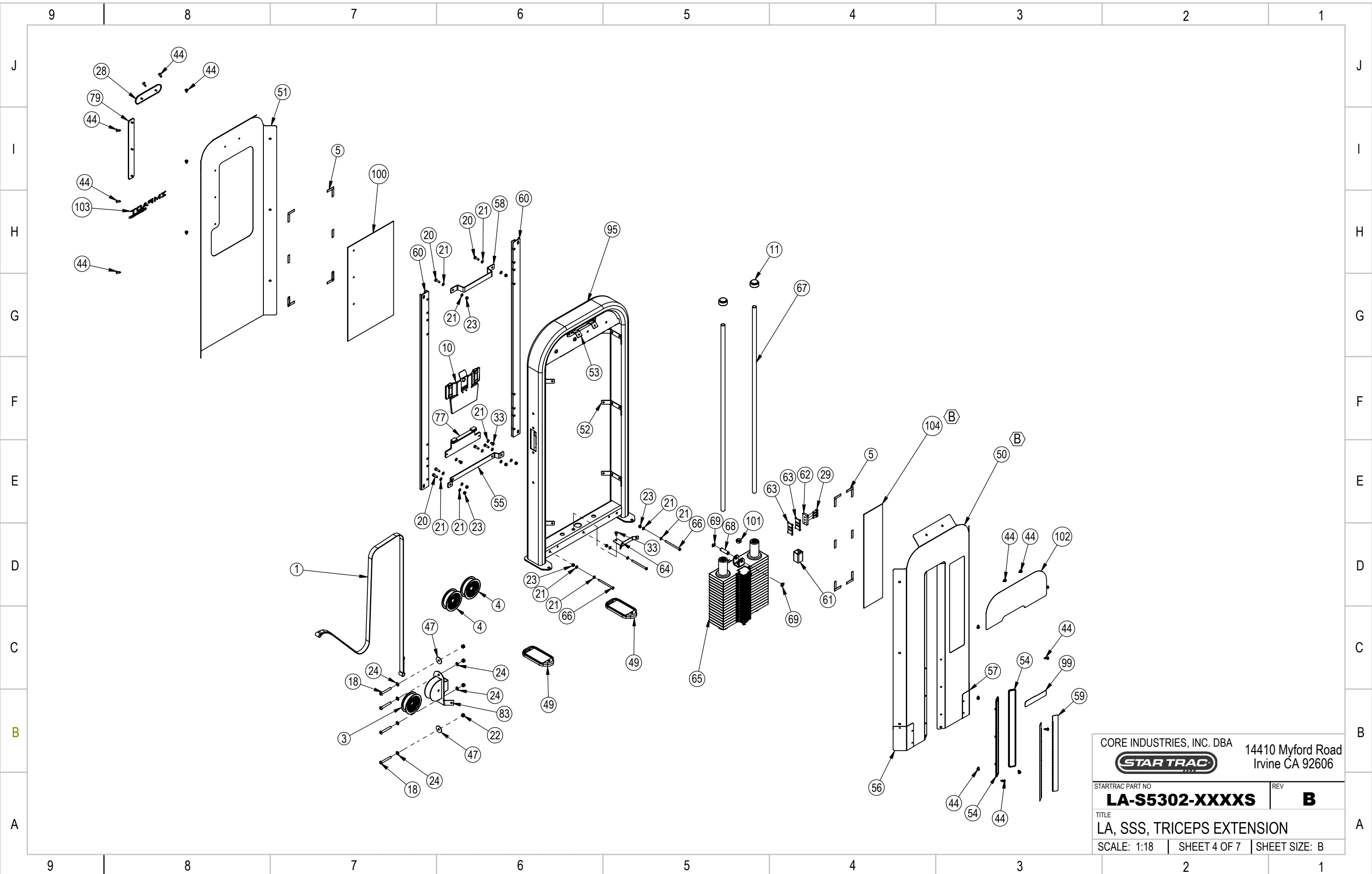
TITLE **LA, SSS, TRICEPS EXTENSION**

SCALE: 1:20 | SHEET 2 OF 7 | SHEET SIZE: B



CORE INDUSTRIES, INC. DBA **STAR TRAC** 14410 Myford Road
Irvine CA 92606

STARTRAC PART NO.	REV
LA-S5302-XXXXS	B
TITLE	
LA, SSS, TRICEPS EXTENSION	
SCALE: 1:12	SHEET 3 OF 7
SHEET SIZE: B	



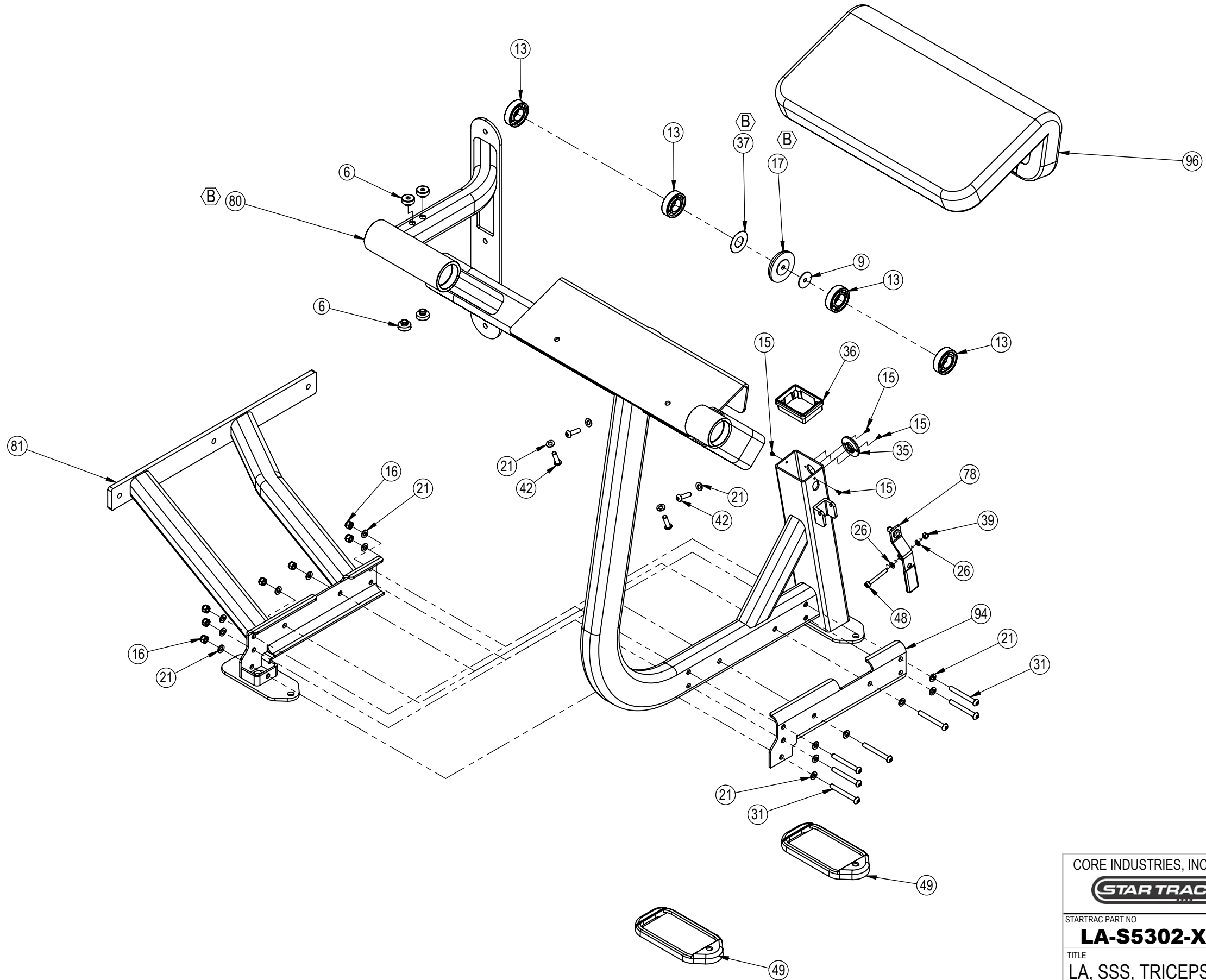
CORE INDUSTRIES, INC. DBA 14410 Myford Road
Irvine CA 92606

STARTRAC

STARTRAC PART NO. **LA-S5302-XXXXS** REV **B**

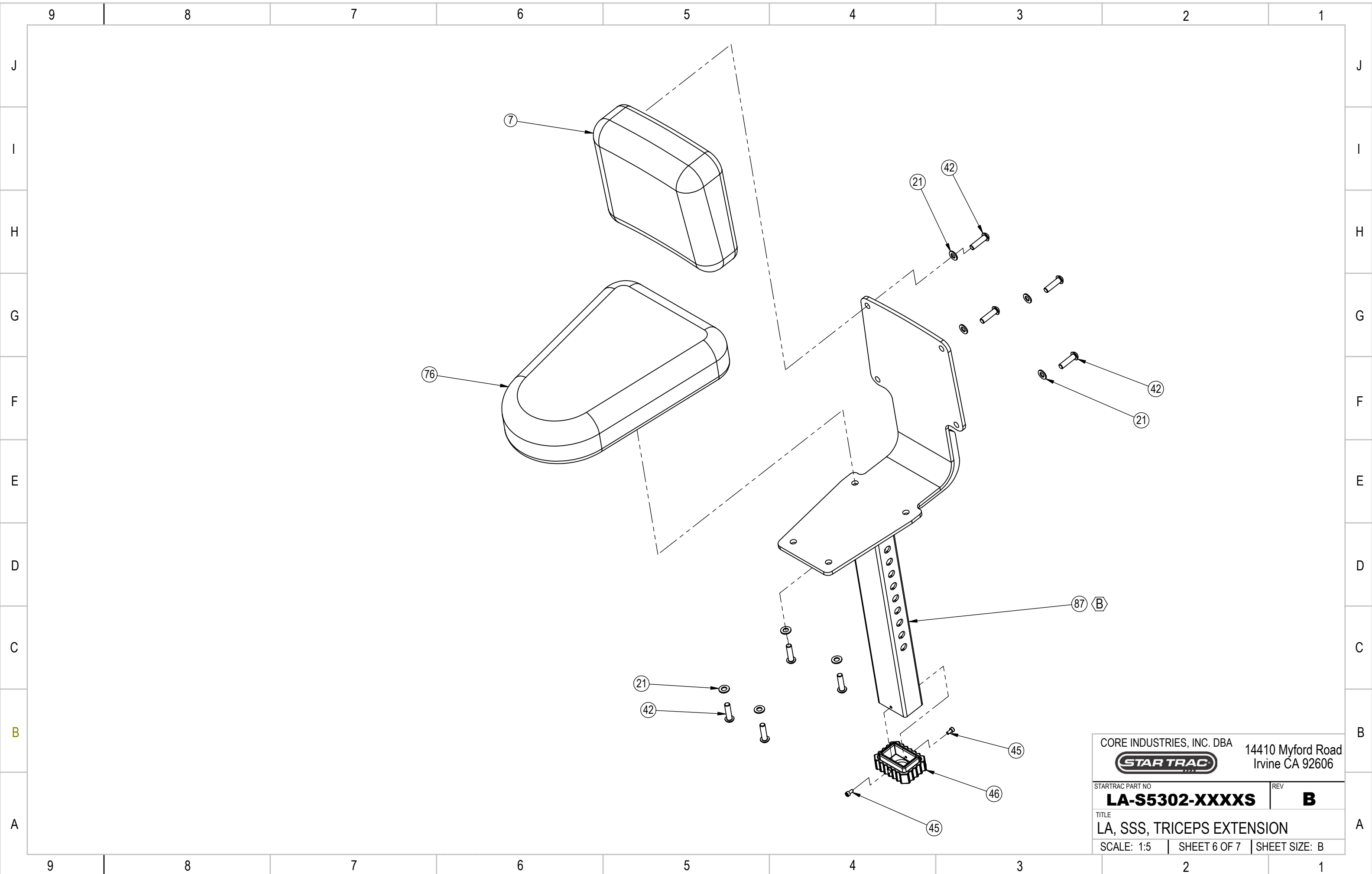
TITLE **LA, SSS, TRICEPS EXTENSION**

SCALE: 1:18 | SHEET 4 OF 7 | SHEET SIZE: B



CORE INDUSTRIES, INC. DBA **STAR TRAC** 14410 Myford Road
Irvine CA 92606

STARTRAC PART NO	REV
LA-S5302-XXXXS	B
TITLE	
LA, SSS, TRICEPS EXTENSION	
SCALE: 1:8	SHEET 5 OF 7 SHEET SIZE: B

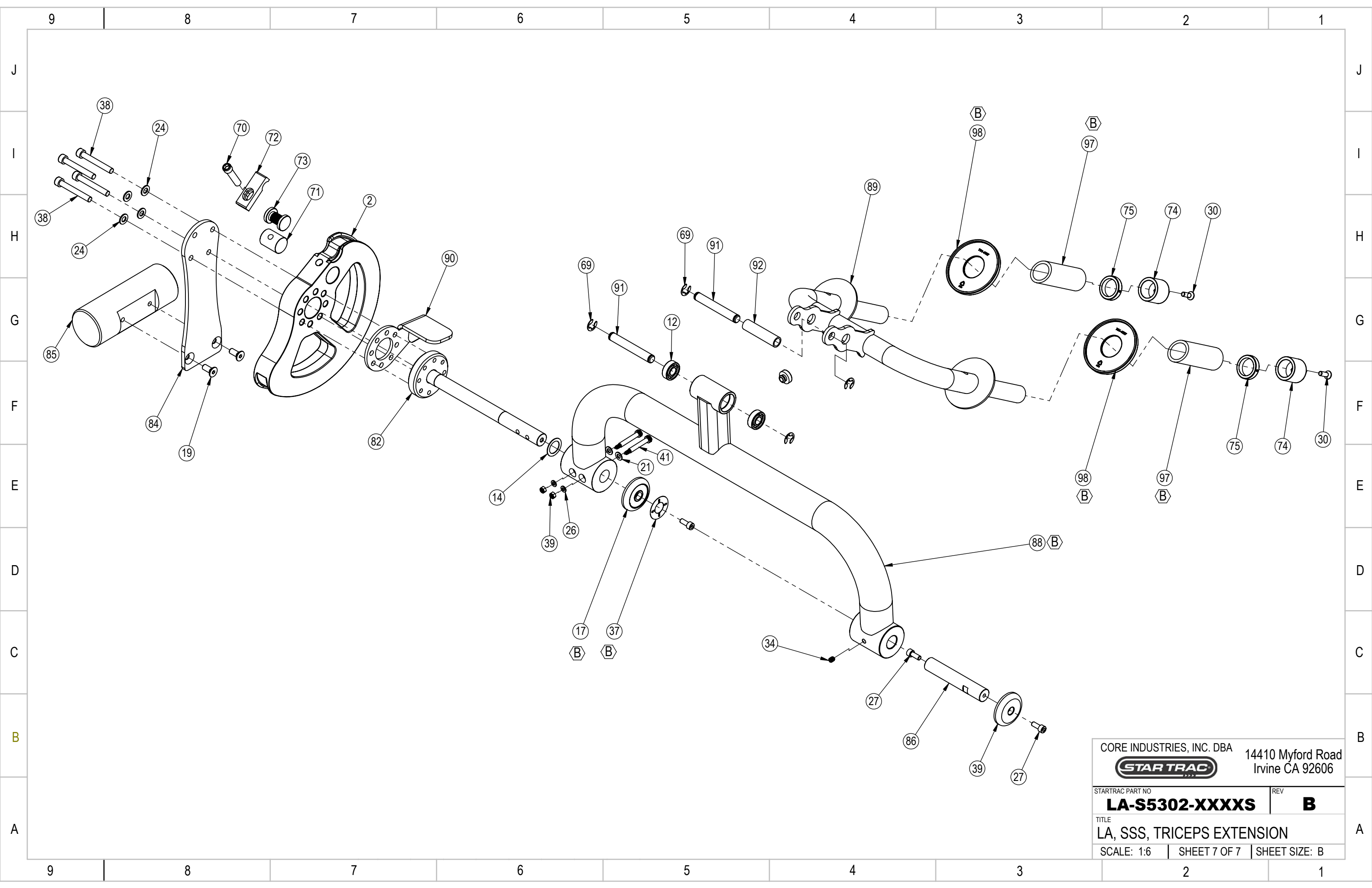


CORE INDUSTRIES, INC. DBA **STARTRAC** 14410 Myford Road
Irvine CA 92606

STARTRAC PART NO. **LA-S5302-XXXXS** REV **B**

TITLE
LA, SSS, TRICEPS EXTENSION

SCALE: 1:5 | SHEET 6 OF 7 | SHEET SIZE: B



CORE INDUSTRIES, INC. DBA **STARTRAC** 14410 Myford Road
Irvine CA 92606

STARTRAC PART NO.	REV
LA-S5302-XXXXS	B
TITLE	
LA, SSS, TRICEPS EXTENSION	
SCALE: 1:6	SHEET 7 OF 7 SHEET SIZE: B