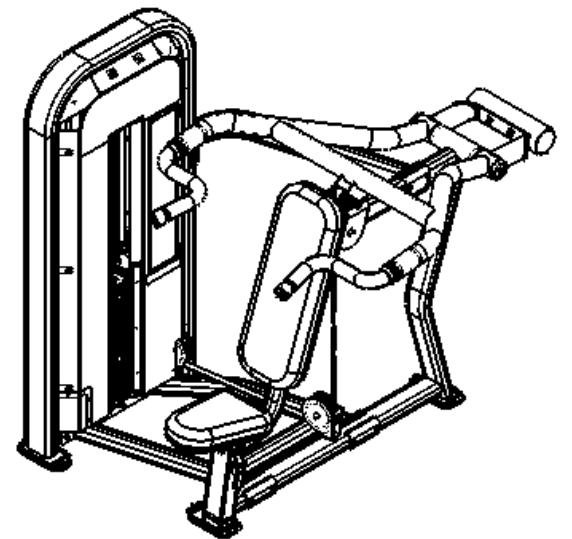
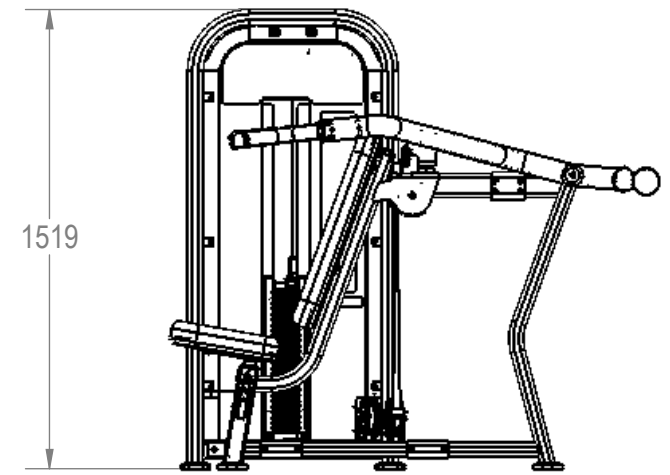
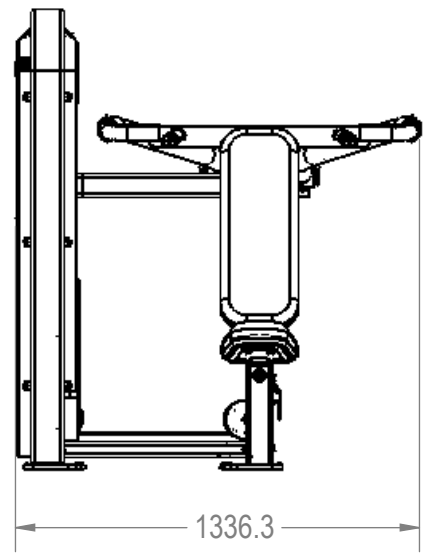
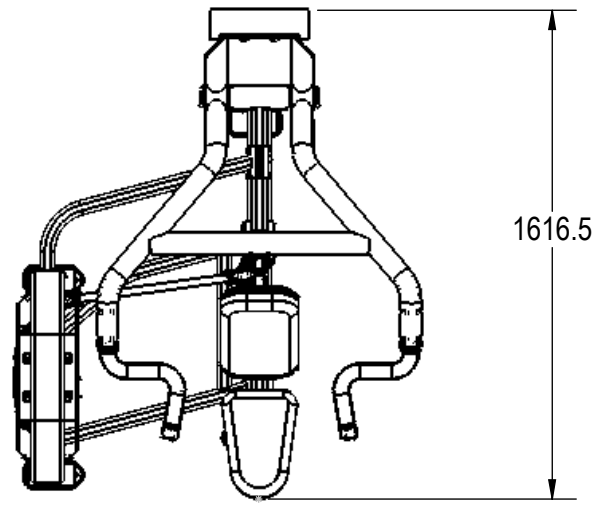


REVISION HISTORY				
REV	DATE	DESCRIPTION	ECO	BY
A	12/1/2011	RELEASED FOR PRODUCTION AT LAND AMERICA	----	LA
B	5/30/2012	MAKE DRAWING	13688	CLK



NOTICE OF PROPRIETARY INFORMATION
 THIS DOCUMENT SHALL NOT BE REPRODUCED NOR SHALL THE INFORMATION CONTAINED HEREIN BE USED BY OR DISCLOSED TO OTHER EXCEPT AS EXPRESSLY AUTHORIZED BY CORE INDUSTRIES, INC., D.B.A. STAR TRAC.

DOCUMENT STATUS:

NOTES:

CLASS OF WORK	UNLESS OTHERWISE SPECIFIED DIMS ARE IN mm. TOLERANCES FOR MEASURE OF LENGTH ARE:							ANGLES = ±2°
	0.5 to 3	> 3 to 6	> 6 to 30	> 30 to 120	> 120 to 400	> 400 to 1000	> 1000 to 2000	
FINE	±0.05	±0.05	±0.1	±0.15	±0.2	±0.3	±0.5	----
MEDIUM	±0.1	±0.1	±0.2	±0.3	±0.5	±0.8	±1.2	±2
COARSE	±0.2	±0.3	±0.5	±0.8	±1.2	±2	±3	±4
VERY COARSE	----	±0.5	±1	±1.5	±2.5	±4	±6	±8

MATERIAL
SEE BOM

FINISH
N/A

VENDOR: N/A

P/N: N/A

THIRD ANGLE PROJECTION



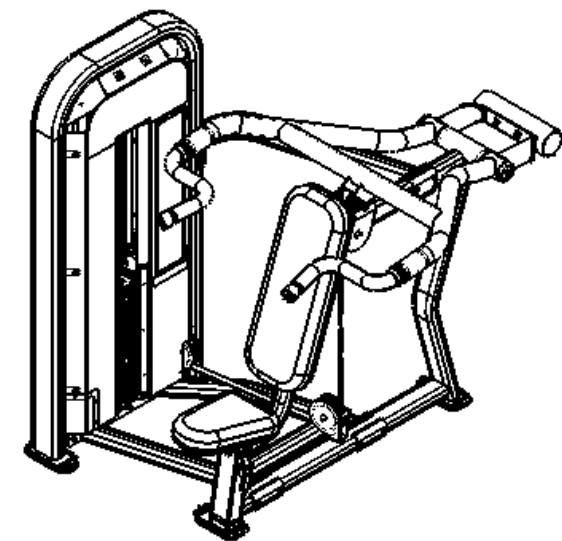
DRAWN	INITIAL CLK	DATE 5/21/2012
CHECKED		
APPROVED		
	U.O.M.	MM

CORE INDUSTRIES, INC. DBA
 14410 Myford Road
 Irvine CA 92606

STARTRAC PART NO	REV
LA-S4307-XXXXS	B
TITLE LA, SSS, SHOULDER PRESS	
SCALE: 1:25	SHEET 1 OF 7 SHEET SIZE: B

9		8		7		6		5		4		3		2		1				
	ITEM NO.	PART NUMBER	DESCRIPTION	QTY.		ITEM NO.	PART NUMBER	DESCRIPTION	QTY.		ITEM NO.	PART NUMBER	DESCRIPTION	QTY.		ITEM NO.	PART NUMBER	DESCRIPTION	QTY.	
J	1	4900-0440	PULLEY,BELT,4.75D,3/8B,1.5W,MOLDED	2		46	731-3116	BRKT,MOUNT,LOWER,INCR CHNL,IMP	1		91	731-4882	WINDOW,IMP,SHORT	1						
	2	4900-0620	PULLEY,BELT,4.75D,3/8B,1.74W,MOLDED	3		47	731-3117	COVER,SHROUD,LEFT,IMP	1		92	731-4889	JFI-1214-08 BEARING, FLANGE, IGUS	2						
	3	4900-0626	TAPE, 3M VHB 5925	1100		48	731-3122	Brkt,mount,upper,incr. channel,IMP	1		93	731-4890	TUBE,OUTER,BELT CLAMP,PIVOT	1						
	4	731-0033	NUT, RIVET,M8 X 1.25	1		49	731-3300	CLAMSHELL, 76X110	1		94	731-4891	TUBE,INNER,BELT CLAMP,PIVOT	1						
I	5	731-0040	STOP,Ø50X26,RUBBER	1		50	731-3323	STICKER,IMP,130 KG	1		95	731-4894	NUT,M16X1.5, NYLOC, ZP	1						
	6	731-0113	ASSY,2.5Kg,ADD ON	1		51	731-3324	WELD,ADD ON,SHORT,IMP	2		96	731-4951	PLACARD,IMPACT,SHOULDER PRESS	1						
	7	731-0124	CAP,GUIDE ROD,RUBBER	2		52	731-3391	BELT CLAMP BODY	1		97	731-5161	STICKER, IMPACT STRENGTH	1						
	8	731-0137	BEARING,52 OD,25 ID,X 15MM	2		53	731-3392	PLATE,THREADED,BELT CLAMP	1		98	731-5217	WINDOW,INSIDE,IMPACT,IMP,SHORT	1						
	9	731-0225	SCREW,M3.5 X 9.5,SELF TAPPING	4		54	731-3393	BELT CLAMP PLATE	2											
H	10	731-0234	SCREW,M6 X1.0,30MM,BHC,HK	4		55	731-3394	TOP PLATE,BELT BRKT,IMP	1											
	11	731-0235	SCREW,M8 X 1.25,75mm,BHC,HK	8		56	731-3396	SHROUD CENTER SUPPORT	1											
	12	731-0287	NUT,M8x1.25,NYLOCK	4		57	731-3417	ASSY,WGT STK,130kG	1											
	13	731-0350	SCREW,M10 X 1.5,25mm,SHC,HK	2		58	731-3521	SCREW,M8 X 1.25,105mm,BHC,HK,NP	4											
	14	731-0354	SCREW,M8 X 1.25,25MM,HHM,HE	6		59	731-3522	SCREW,M8 X 1.25,110mm,BHC,HK,NP	3											
G	15	731-0355	WASHER,PLAIN,M8,NARROW	54		60	731-3526	CLAMSHELL,44.5X 110 HS NO BREATHER	2											
	16	731-0359	SCREW,M8 X 1.25,25mm,BHC,HK	1		61	731-3537	GUIDE RODE,Ø22MM X 1248MM	2											
	17	731-0363	NUT,M10X1.5,NYLOC	6		62	731-3540	PIN,BELT CLAMP	1											
	18	731-0365	NUT,M8 X 1.25,NYLOC JAM	18		63	731-3541	CLIP,BELT CLAMP PIN	2											
	19	731-0367	WASHER,PLAIN,M10	15		64	731-3557	BOLT PLATE,FLAT,52X105 HS	1											
F	20	731-0371	SCREW,M10 X 1.5,70MM,BHC,HK	3		65	731-3559	SCREW,M10 X 1.5,65MM,BHC,HK	2											
	21	731-0373	WASHER,PLAIN,M6	10		66	731-3662	CAP,TUBE,44.5 X 50.8	1											
	22	731-0379	SCREW,M8 X1.25,20mm,SHC,HK	2		67	731-3770	ASSY,SEAT POST,IMP	1											
	23	731-0381	HOUSING,LOGO,STARTRAC	1		68	731-3773	PLATE, BELT CLAMP, IMP	2											
E	24	731-0390	SCREW,M8 X 1.25,25mm,SHC,HK	3		69	731-3775	END CAP,32MM	2											
	25	731-0397	SCREW,M8 X 1.25,25mm,FHM,HK	2		70	731-3776	TRIM RING,GRIP,32MM	2											
	26	731-0513	STICKER,STAR TRAC,DECO,45MMX191MM	1		71	731-3788	SHAFT, 25MM X 365.5	1											
	27	731-0532	SCREW,M8 X 1.25,12MM,HHM,HE	3		72	731-3792-00XX	ASSY,UPHOLSTERY,SEAT	1											
	28	731-0637	RING,BEAUTY,ADJ,PAD	1		73	731-3796	ASSY,STOP,MOUNT,ADD ON,IMP	1											
D	29	731-0638	SUPPORT,TUBE,ADJ,CHEST	1		74	731-3802	HANDLE ASSY,SEAT ADJUST,RATCHET	1											
	30	731-1045	SCREW, M10X1.5, 80MM, SHC, HK, ZP	1		75	731-3805	SPRING,O.D 12mm,L 38MM, 1N/MM RATE	1											
	31	731-1265	CAP,END,65MM,NO GROOVE	2		76	731-3807-00XX	ASSY,UPHOLSTERY,285 x 715	1											
	32	731-1363	NUT, M6X1.0, NYLOC	7		77	731-3808	ASSY, WELD, MAIN FRAME, SP	1											
	33	731-1777	SCREW,M8 X 1.25,30mm,BHC,HK	8		78	731-3815	ASSY,WELD,BOT CONNECT,SP	1											
C	34	731-1785	SCREW,SET,M4X.7,4MM	7		79	731-3819	ASSY,WELD,HANDLEBAR,SP	1											
	35	731-1932	RIVET,5MM	16		80	731-3827	ASSY,WGT FRAME,IMP,SP	1											
	36	731-1933	RIVET, PUSH TYPE	19		81	731-3829	COUNTER BALANCE, SP	1											
	37	731-2079	SCREW,M4 X .7,8MM,SHC,HK,NP	2		82	731-3830	BELT. SP	1											
	38	731-2080	BUMPER,ADJ,HYPER	1		83	731-3832	STICKER,NAME,SHOULDER PRESS	1											
B	39	731-2523	SCREW,M6,50MM,SHCS,HK,CS,BZ	1		84	731-3833	TUBE,BELT GUIDE	1											
	40	731-2647	FOOT,LONG,LEVERAGE	4		85	731-3834	SCREW,M6X1.0,55MM,BHC,HK	2											
	41	731-3109	SHROUD,INSIDE,TALL,IMP	1		86	731-3836	TUBE,HANDLE,SP	2											
	42	731-3111	SHROUD,OUTSIDE,SHORT,IMP	1		87	731-3837	Assy,Upper Connector,SP	1											
	43	731-3113	BRKT,SHROUD,IMP	6		88	731-3874	HOUSING,WGT FRAME,NAME,SHORT	1											
A	44	731-3114	BRKT, SHROUD, UPPER,IMP	2		89	731-3954	BASE,HANDLE GRIP,ARMS,IMP	2											
	45	731-3115	HOUSING,PLASTIC,WGT STACK,IMP	2		90	731-4780	STICKER,LOCK N LOAD,IMPACT	1											

ⓑ

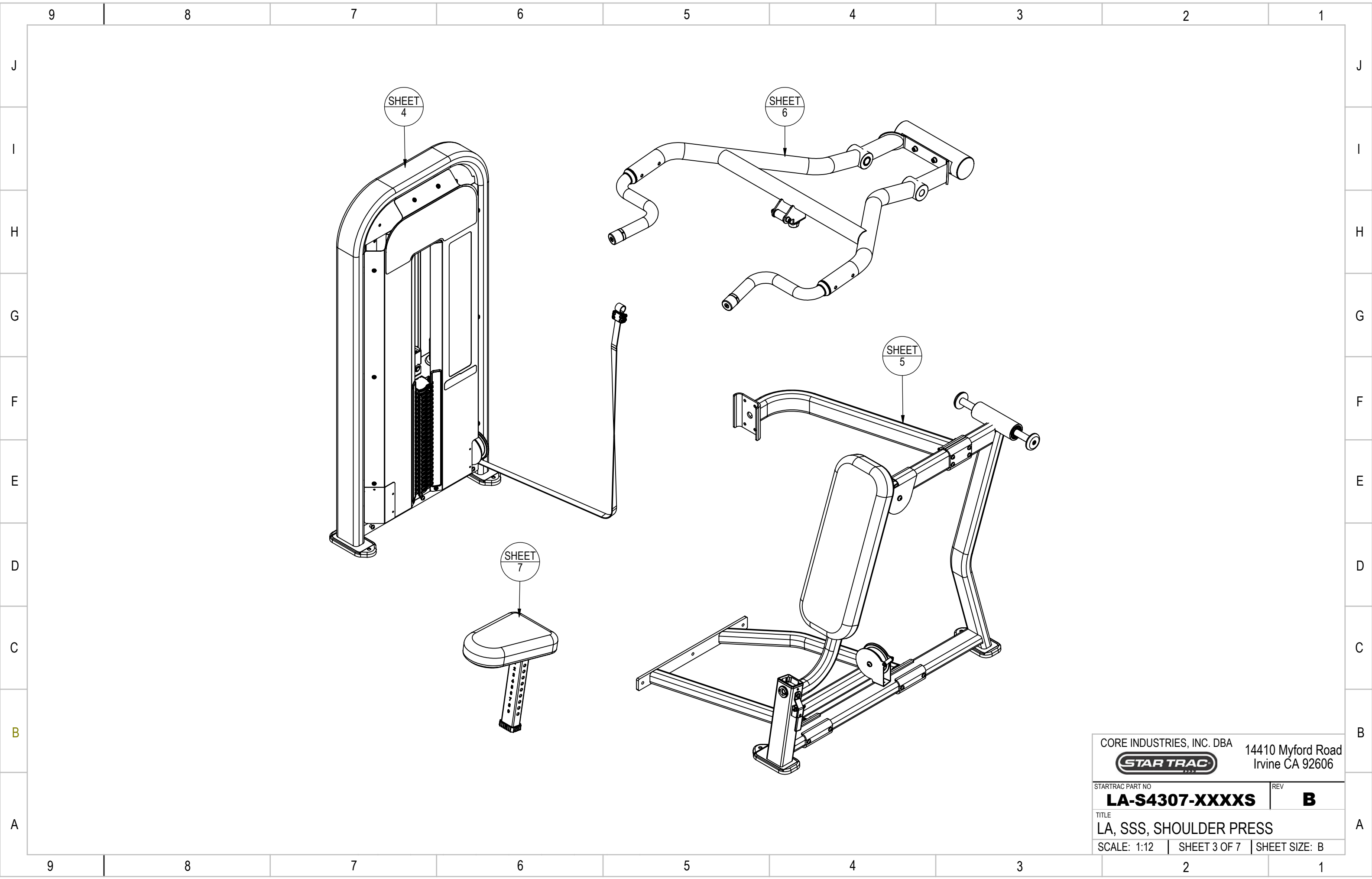


CORE INDUSTRIES, INC. DBA **STARTRAC** 14410 Myford Road
Irvine CA 92606

STARTRAC PART NO **LA-S4307-XXXXS** REV **B**

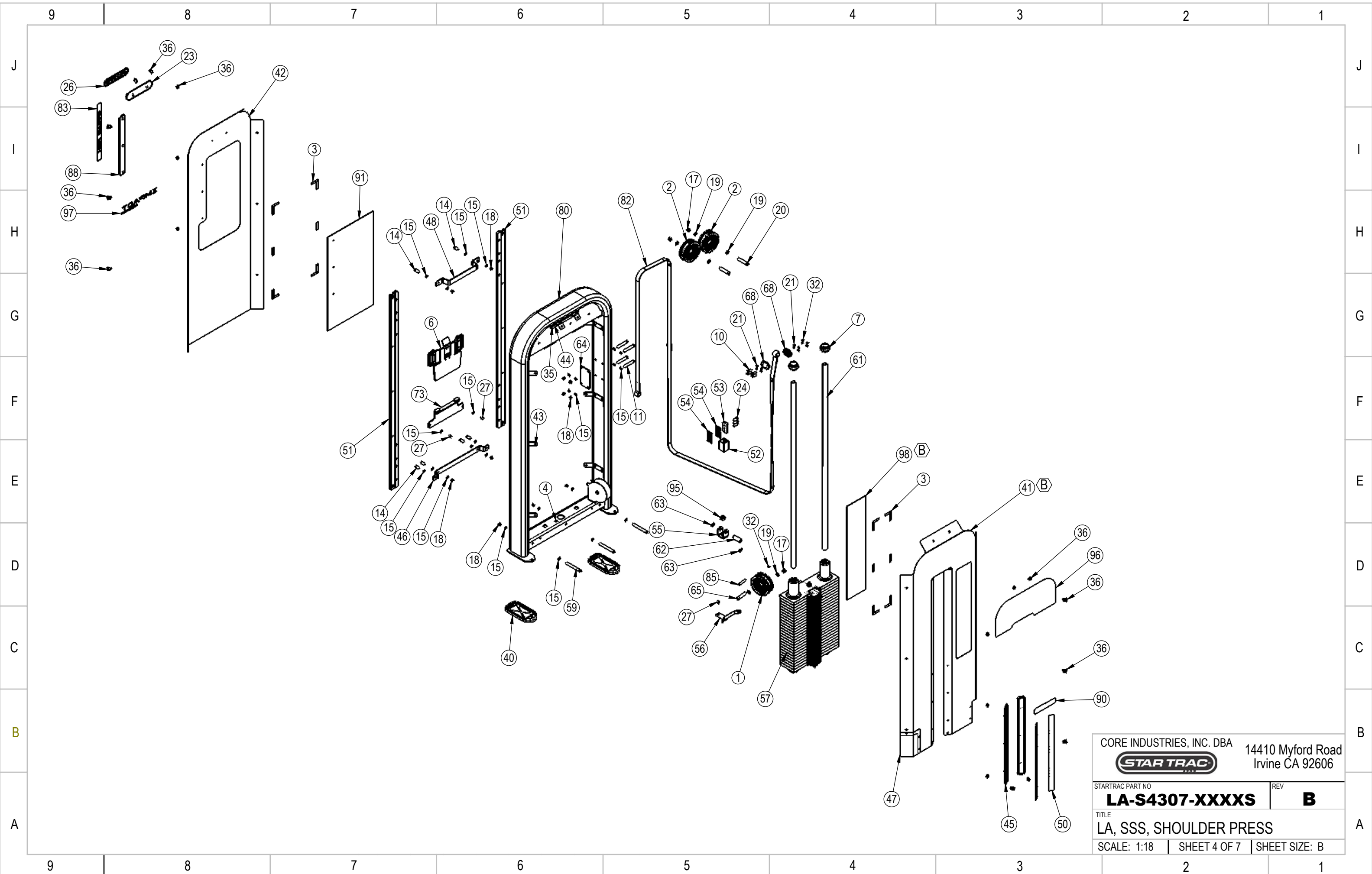
TITLE **LA, SSS, SHOULDER PRESS**

SCALE: 1:25 | SHEET 2 OF 7 | SHEET SIZE: B



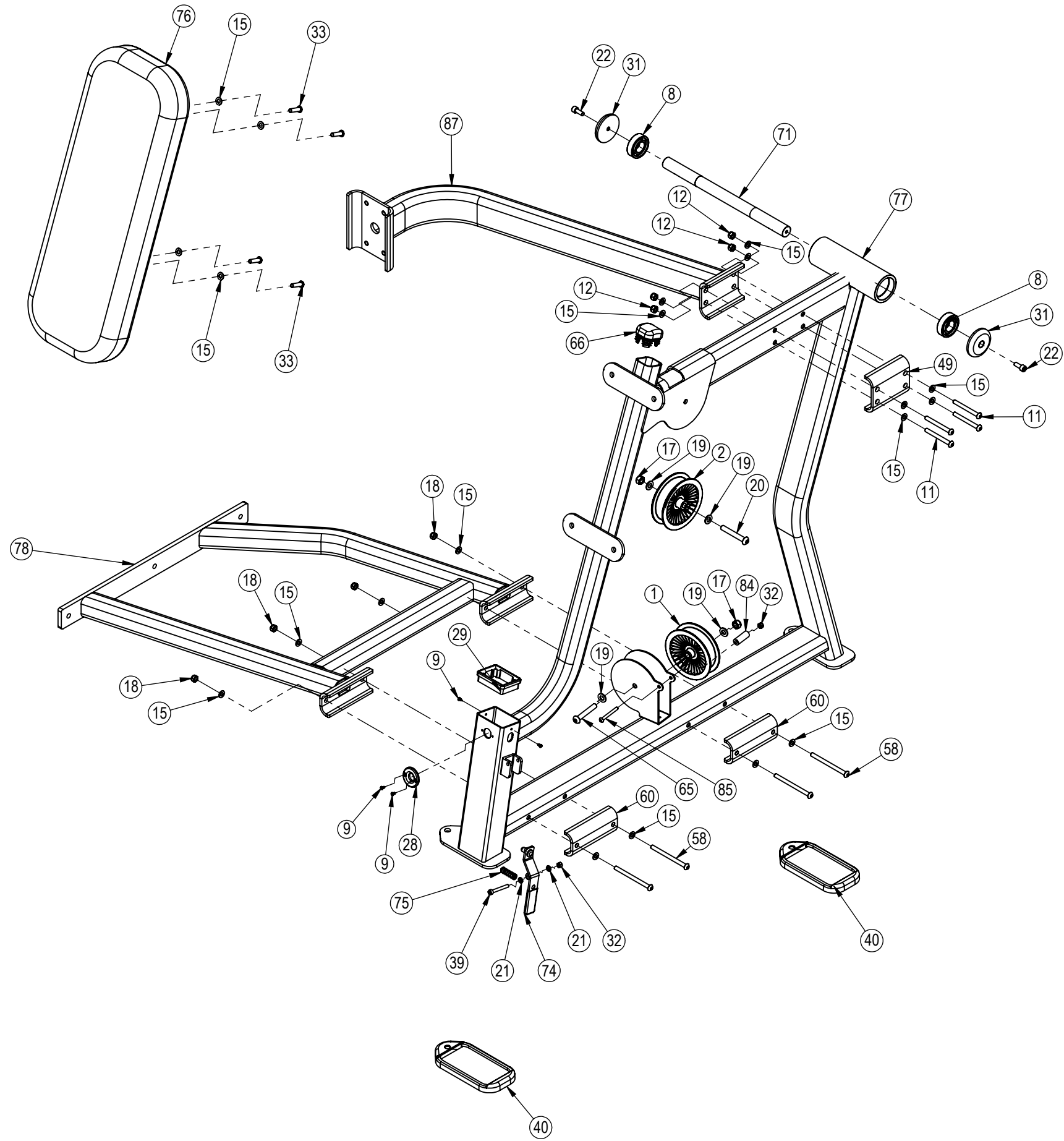
CORE INDUSTRIES, INC. DBA **STAR TRAC** 14410 Myford Road
Irvine CA 92606

STARTRAC PART NO	REV
LA-S4307-XXXXS	B
TITLE	
LA, SSS, SHOULDER PRESS	
SCALE: 1:12	SHEET 3 OF 7 SHEET SIZE: B

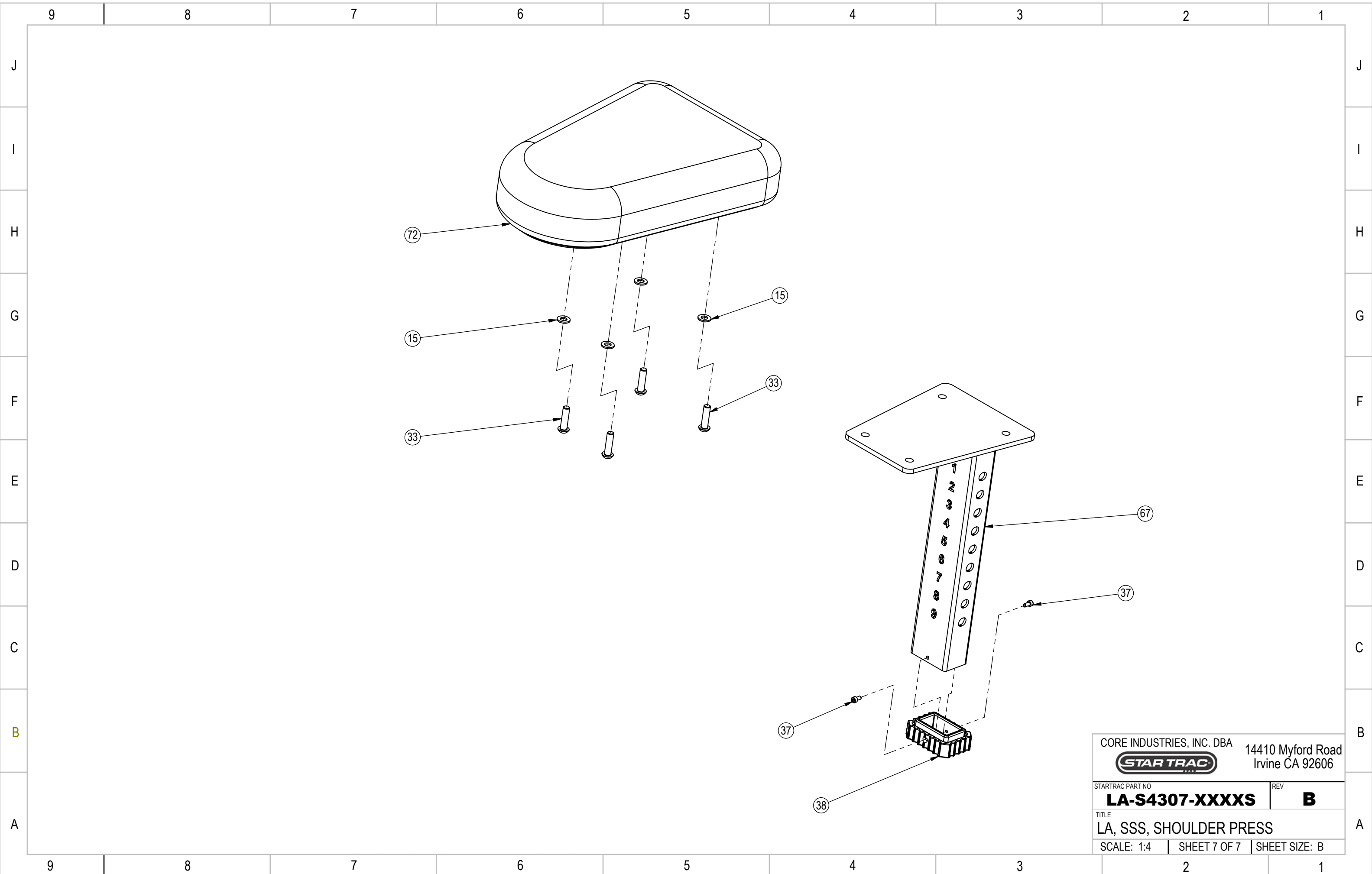


CORE INDUSTRIES, INC. DBA **STARTRAC** 14410 Myford Road
Irvine CA 92606

STARTRAC PART NO	REV
LA-S4307-XXXXS	B
TITLE LA, SSS, SHOULDER PRESS	
SCALE: 1:18	SHEET 4 OF 7 SHEET SIZE: B



CORE INDUSTRIES, INC. DBA		14410 Myford Road Irvine CA 92606	
STAR TRAC			
STARTRAC PART NO	LA-S4307-XXXXS		REV B
TITLE LA, SSS, SHOULDER PRESS			
SCALE: 1:10	SHEET 5 OF 7	SHEET SIZE: B	



CORE INDUSTRIES, INC. DBA **STARTRAC** 14410 Myford Road
Irvine CA 92606

STARTRAC PART NO	REV
LA-S4307-XXXXS	B
TITLE	
LA, SSS, SHOULDER PRESS	
SCALE: 1:4	SHEET 7 OF 7 SHEET SIZE: B