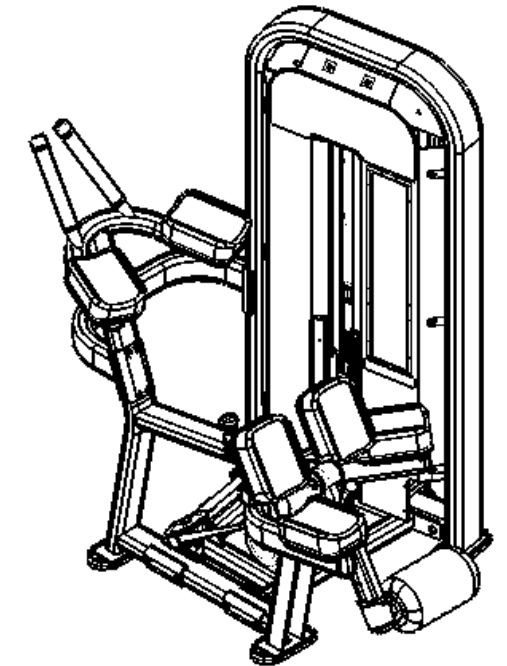
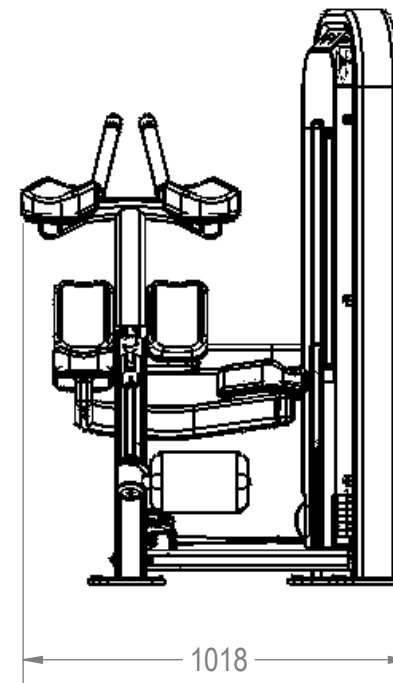
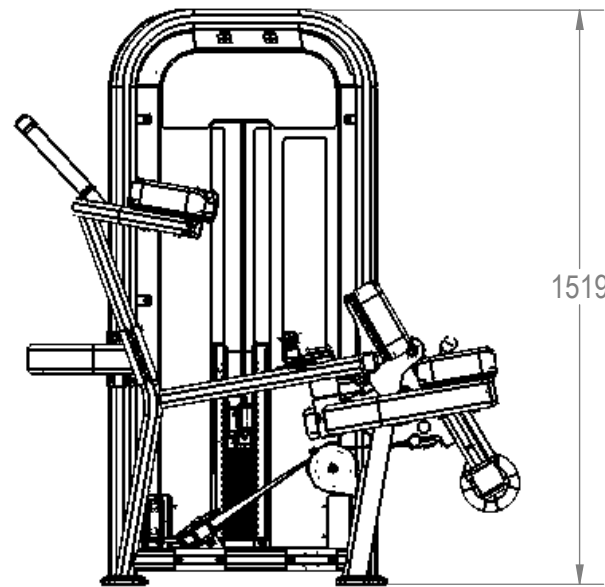
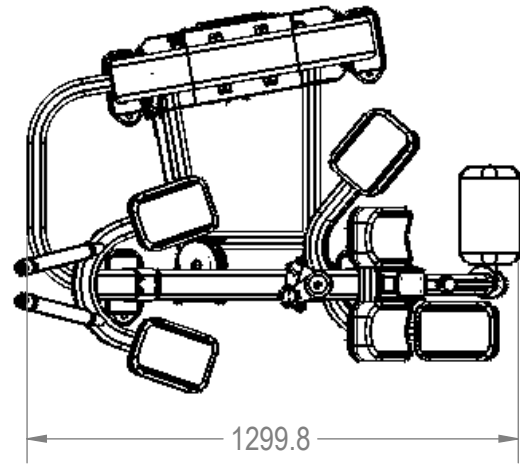


REVISION HISTORY				
REV	DATE	DESCRIPTION	ECO	BY
A	12/1/2011	RELEASE FOR PRODUCTION AT LAND AMERICA	----	LA
B	5/9/2012	UPDATE DESIGN: IS 731-5269 WAS 731-4040, IS 731-3466 WAS 731-0652, IS 731-5271 WAS 731-4052, 731-4516 IS UPDATED, 731-4526 IS UPDATED.	13677	CLK



NOTICE OF PROPRIETARY INFORMATION
 THIS DOCUMENT SHALL NOT BE REPRODUCED NOR SHALL THE INFORMATION CONTAINED HEREIN BE USED BY OR DISCLOSED TO OTHER EXCEPT AS EXPRESSLY AUTHORIZED BY CORE INDUSTRIES, INC., D.B.A. STAR TRAC.

DOCUMENT STATUS:

NOTES:

CLASS OF WORK	UNLESS OTHERWISE SPECIFIED DIMS ARE IN mm. TOLERANCES FOR MEASURE OF LENGTH ARE:							ANGLES = ±2°
	0.5 to 3	>3 to 6	>6 to 30	>30 to 120	>120 to 400	>400 to 1000	>1000 to 2000	
FINE	±0.05	±0.05	±0.1	±0.15	±0.2	±0.3	±0.5	----
MEDIUM	±0.1	±0.1	±0.2	±0.3	±0.5	±0.8	±1.2	±2
COARSE	±0.2	±0.3	±0.5	±0.8	±1.2	±2	±3	±4
VERY COARSE	----	±0.5	±1	±1.5	±2.5	±4	±6	±8

MATERIAL
SEE BOM

FINISH
N/A

VENDOR: N/A

P/N: N/A

THIRD ANGLE PROJECTION

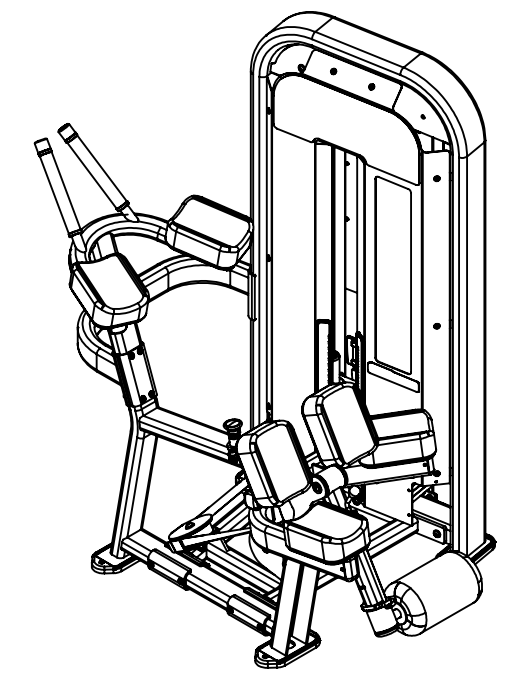


DRAWN	INITIAL CLK	DATE 3/5/2012
CHECKED		
APPROVED		
	U.O.M.	MM

CORE INDUSTRIES, INC. DBA
 14410 Myford Road
 Irvine CA 92606

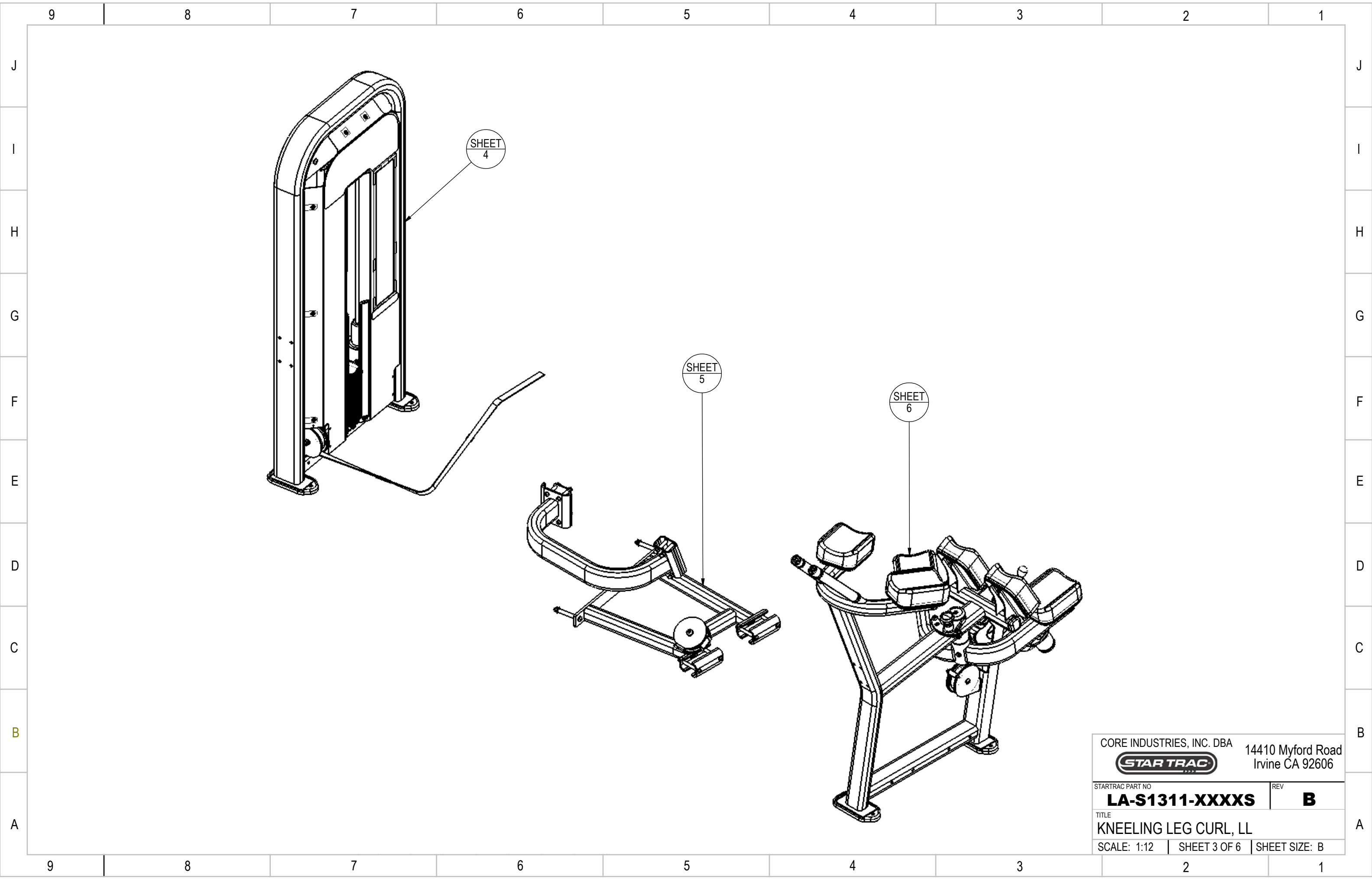
STARTRAC PART NO	REV
LA-S1311-XXXXS	B
TITLE KNEELING LEG CURL, LL	
SCALE: 1:20	SHEET 1 OF 6 SHEET SIZE: B

9	8				7				6				5				4				3				2				1			
ITEM NO.	PART NUMBER	DESCRIPTION			QTY.	ITEM NO.	PART NUMBER	DESCRIPTION			QTY.	ITEM NO.	PART NUMBER	DESCRIPTION			QTY.	ITEM NO.	PART NUMBER	DESCRIPTION			QTY.									
J	1	3500-0021	ASSY,UP.,ROLLER PAD,5.7ODX10LG		1	46	731-1917	TRIM RING,GRIP			4	Ⓚ	91	731-4516	ASSY,WELD,KNEE,ROM			1	J													
	2	3500-0166	ASSY,UPHOLSTERY,S1311		6	47	731-1932	RIVET,5MM			12		92	731-4519	WELD,WT STACK CONN,KLC			1	I													
	3	4250-0015	SSSCP,1/4-20 X 1/2,BLK		1	48	731-1933	RIVET, PUSH TYPE			18		93	731-4524	ROM PLATE,KLC			1														
	4	4900-0052	SPRING,O.D .5,L1.5, CENTURY 921		1	49	731-2068	SCREW,M8 X 1.25,95mm,BHC,HK,NP			4		94	731-4525	END PLATE, UPHOLSTERY, Ø 3"			1														
I	5	4900-0060	PULL,RED BALL		1	50	731-2073	CAP,TUBE,44.5 X 76.2			2	Ⓚ	95	731-4526-XX	WELD,UPPER CONN,KLC			1														
	6	4900-0075	CAM, VRC - 9		1	51	731-2346	WASHER,M10,FENDER,BZ			2		96	731-4529	BELT, KLC			1														
	7	4900-0440	PULLEY,BELT,4.75D,3/8B,1.5W,MOLDED		2	52	731-2647	FOOT, LONG,LEVERAGE			4		97	731-4780	STICKER,LOCK N LOAD,IMPACT			1														
	8	4900-0441	PULLEY,BELT,4.75D,1/2B,1.5W,MOLDED		1	Ⓚ	53	731-3109	SHROUD,INSIDE,TALL,IMP			1		98	731-4882	WINDOW,IMP,SHORT			1													
	9	4900-0620	PULLEY,BELT,4.75D,3/8B,1.74W,MOLDED		2	54	731-3111	SHROUD,OUTSIDE,SHORT,IMP			1		99	731-4961	PLACARD,IMPACT,KNEELING LEG CURL			1														
	10	4900-0626	TAPE, 3M VHB 5925		1100	55	731-3113	BRKT,SHROUD,IMP			6		100	731-5161	STICKER, IMPACT STRENGTH			1														
H	11	731-0033	NUT, RIVET,M8 X 1.25		3	56	731-3114	BRKT, SHROUD, UPPER,IMP			2		101	731-5217	WINDOW,INSIDE,IMPACT,IMP,SHORT			1	H													
	12	731-0040	STOP,Ø50X26,RUBBER		1	57	731-3115	HOUSING,PLASTIC,WGT STACK,IMP			2	Ⓚ	102	731-5269	ASSY,WGT FRAME,1311			1														
	13	731-0113	ASSY,2.5Kg,ADD ON		1	58	731-3116	BRKT,MOUNT,LOWER,INCR CHNL,IMP			1	Ⓚ	103	731-5271	CLAMSHELL,76.2X125 HS, NO BREATHER			1														
	14	731-0119	NUT,M12X1.75, NYLOC		1	59	731-3122	Brkt,mount,upper,increm. channel,IMP			1	Ⓚ	104	B18.3.3M - 10 x 40 SHSS --N	SHOULDER BOLT B18.3.3M-10X60 SHCC			1														
G	15	731-0121	ASSY,STOP,ADD ON		1	60	731-3323	STICKER,IMP,130 KG			1		105	731-3542	SCREW,M12 X 1.75,50mm,SHC,HK,CS,N			1	G													
	16	731-0124	CAP,GUIDE ROD,RUBBER		2	61	731-3324	WELD,ADD ON,SHORT,IMP			2		106	731-3551	PIN,CAM,BELT CLAMP			1														
	17	731-0137	BEARING,52 OD,25 ID,X 15MM		4	62	731-3387	BELT GUIDE,63MM			2		107	731-3552	CLAMP,CAM,BELT CLAMP			1														
	18	731-0169	SCREW, M8X1.25,20MM, BHC, HK		1	63	731-3391	BELT CLAMP BODY			1		108	731-3553	WRAP PIN,BELT CLAMP			1														
	19	731-0225	SCREW,M3.5 X 9.5,SELF TAPPING		4	64	731-3392	PLATE,THREADED,BELT CLAMP			1																					
F	20	731-0235	SCREW,M8 X 1.25,75mm,BHC,HK		8	65	731-3393	BELT CLAMP PLATE			2																					
	21	731-0242	SCREW,M10 X 1.5,105MM,BHC,HK		3	66	731-3396	SHROUD CENTER SUPPORT			1																					
	22	731-0278	SCREW,M10 X 1.5,35MM,BHC,HK		2	67	731-3419	ASSY,WGT STK,65KG			1																					
	23	731-0287	NUT,M8x1.25,NYLOCK		13	Ⓚ	68	731-3466	LEVERAGE BIG PIN			1																				
E	24	731-0350	SCREW,M10 X 1.5,25mm,SHC,HK		2	69	731-3521	SCREW,M8 X 1.25,105mm,BHC,HK,NP			4																					
	25	731-0354	SCREW,M8 X 1.25,25MM,HHM,HE		6	70	731-3526	CLAMSHELL,44.5X 110 HS NO BREATHER			2																					
	26	731-0355	WASHER,PLAIN,M8,NARROW		55	71	731-3537	GUIDE RODE,Ø22MM X 1248MM			2																					
	27	731-0357	WASHER,PLAIN,M12		2	72	731-3538	STICKER,NAME,LEG CURL			1																					
	28	731-0358	SCREW, M12 X 1.75, 75mm, BHC, HK		1	73	731-3540	PIN,BELT CLAMP			1																					
D	29	731-0363	NUT,M10X1.5,NYLOC		9	74	731-3541	CLIP,BELT CLAMP PIN			2																					
	30	731-0365	NUT,M8 X 1.25,NYLOC JAM		7	75	731-3557	BOLT PLATE,FLAT,52X105 HS			1																					
	31	731-0367	WASHER,PLAIN,M10		16	76	731-3559	SCREW,M10 X 1.5,65MM,BHC,HK			2																					
	32	731-0370	SCREW,M8 X 1.25,65mm,BHC,HK		4	77	731-3662	CAP,TUBE,44.5 X 50.8			4																					
	33	731-0371	SCREW,M10 X 1.5,70MM,BHC,HK		2	78	731-3833	TUBE,BELT GUIDE			2																					
C	34	731-0379	SCREW,M8 X1.25,20mm,SHC,HK		3	79	731-3834	SCREW,M6X1.0,55MM,BHC,HK			2																					
	35	731-0381	HOUSING,LOGO,STARTRAC		1	80	731-3874	HOUSING,WGT FRAME,NAME,SHORT			1																					
	36	731-0390	SCREW,M8 X 1.25,25mm,SHC,HK		3	81	731-4484	WELD,MAIN FRAME,KLC			1																					
	37	731-0397	SCREW,M8 X 1.25,25mm,FHM,HK		2	82	731-4495	GRIP,KLC			2																					
	38	731-0411	SCREW, M8 X 1.25, 50MM, BHC, HK, CS		2	83	731-4496	ASSY,WELD,KNEE PIVOT,KLC			1																					
B	39	731-0513	STICKER,STAR TRAC,DECO.45MMX191MM		1	84	731-4503	ASSY,WELD,ROLLER PAD PIVOT			1																					
	40	731-0532	SCREW,M8 X 1.25,12MM,HHM,HE		3	85	731-4508	SHAFT,ROM HANDLE			1																					
	41	731-0705	HAT, SPACER, 25 OD X 20 ID		2	86	731-4509	COLLAR, KNEE PIVOT ROM			1																					
	42	731-1265	CAP,END,65MM,NO GROOVE		2	87	731-4510	SHAFT,KNEE PIVOT			1																					
	43	731-1363	NUT, M6X1.0, NYLOC		2	88	731-4511	ASSY,WELD,KNEE			1																					
A	44	731-1777	SCREW,M8 X 1.25,30mm,BHC,HK		4	89	731-4514	SPACER,BUSHING TO BEARING HOLDER			2																					
	45	731-1904	END CAP		2	90	731-4515	BEARING, FLANGE, 1.00B X 1.00H			2																					



CORE INDUSTRIES, INC. DBA **STARTRAC** 14410 Myford Road
Irvine CA 92606

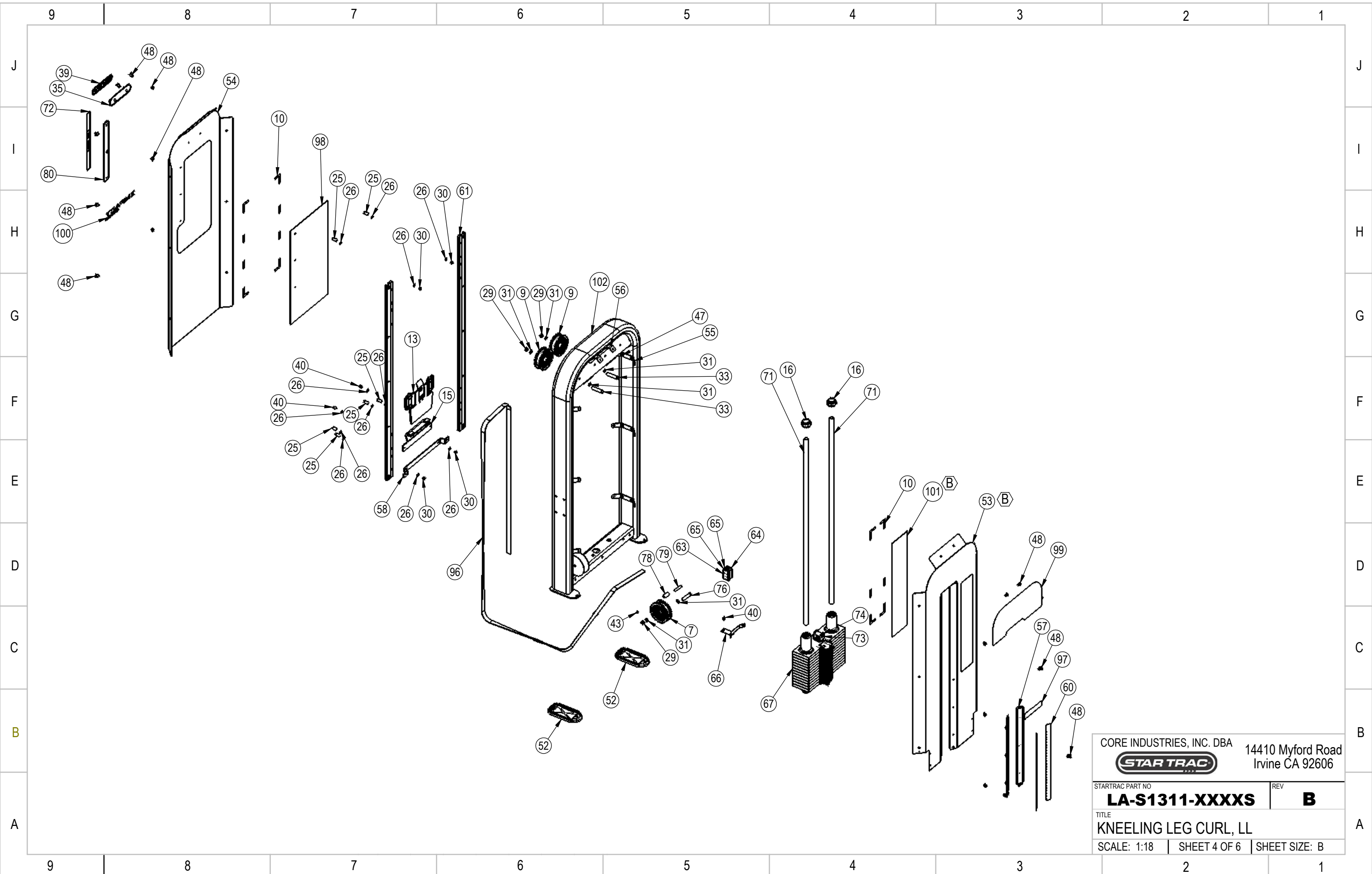
STARTRAC PART NO	REV
LA-S1311-XXXXS	B
TITLE	
KNEELING LEG CURL, LL	
SCALE: 1:20	SHEET 2 OF 6
SHEET SIZE: B	



CORE INDUSTRIES, INC. DBA 14410 Myford Road
Irvine CA 92606



STARTRAC PART NO	REV
LA-S1311-XXXXS	B
TITLE	
KNEELING LEG CURL, LL	
SCALE: 1:12	SHEET 3 OF 6
SHEET SIZE: B	



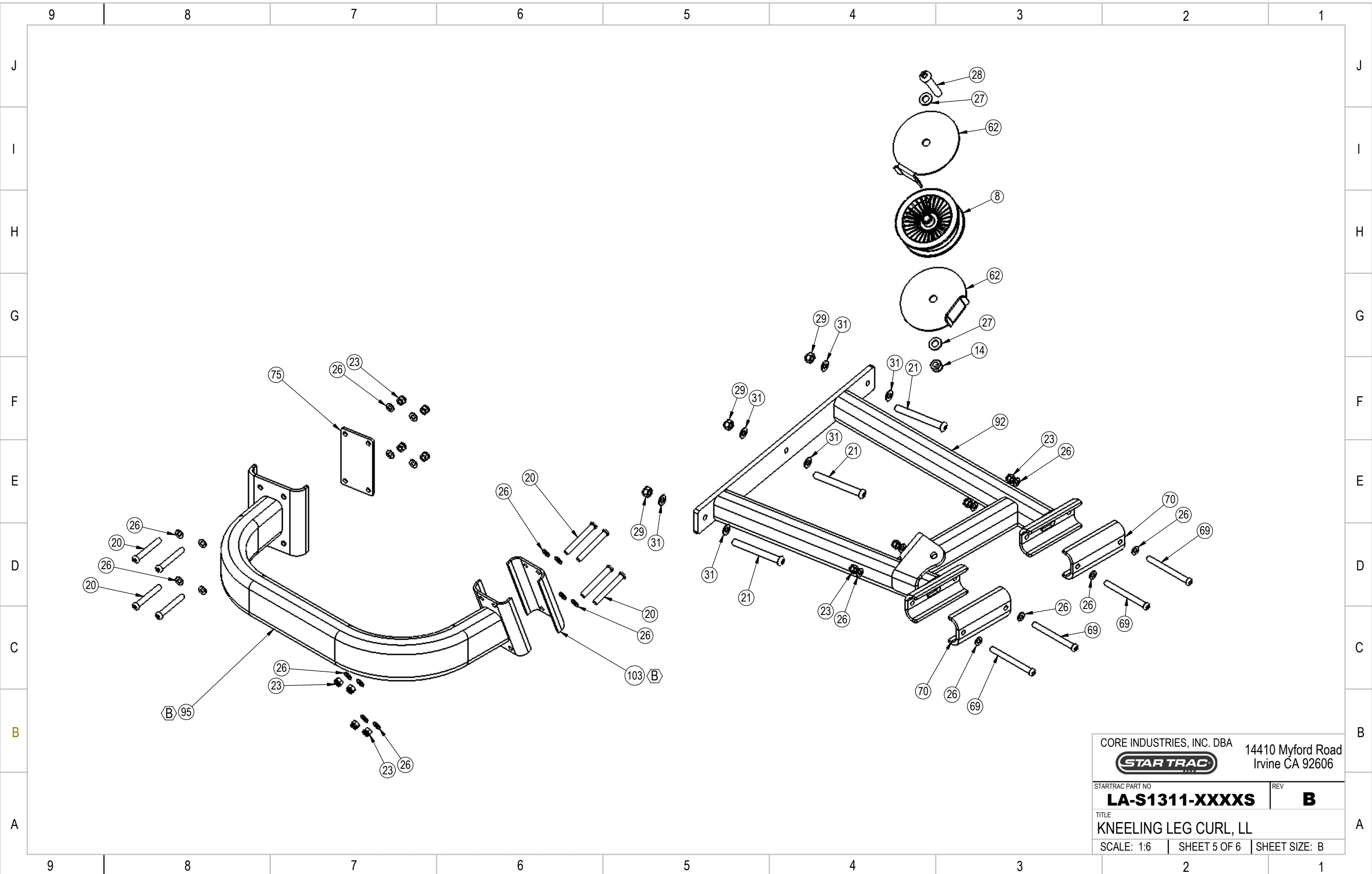
CORE INDUSTRIES, INC. DBA 14410 Myford Road
Irvine CA 92606

STARTRAC

STARTRAC PART NO. **LA-S1311-XXXXS** REV **B**

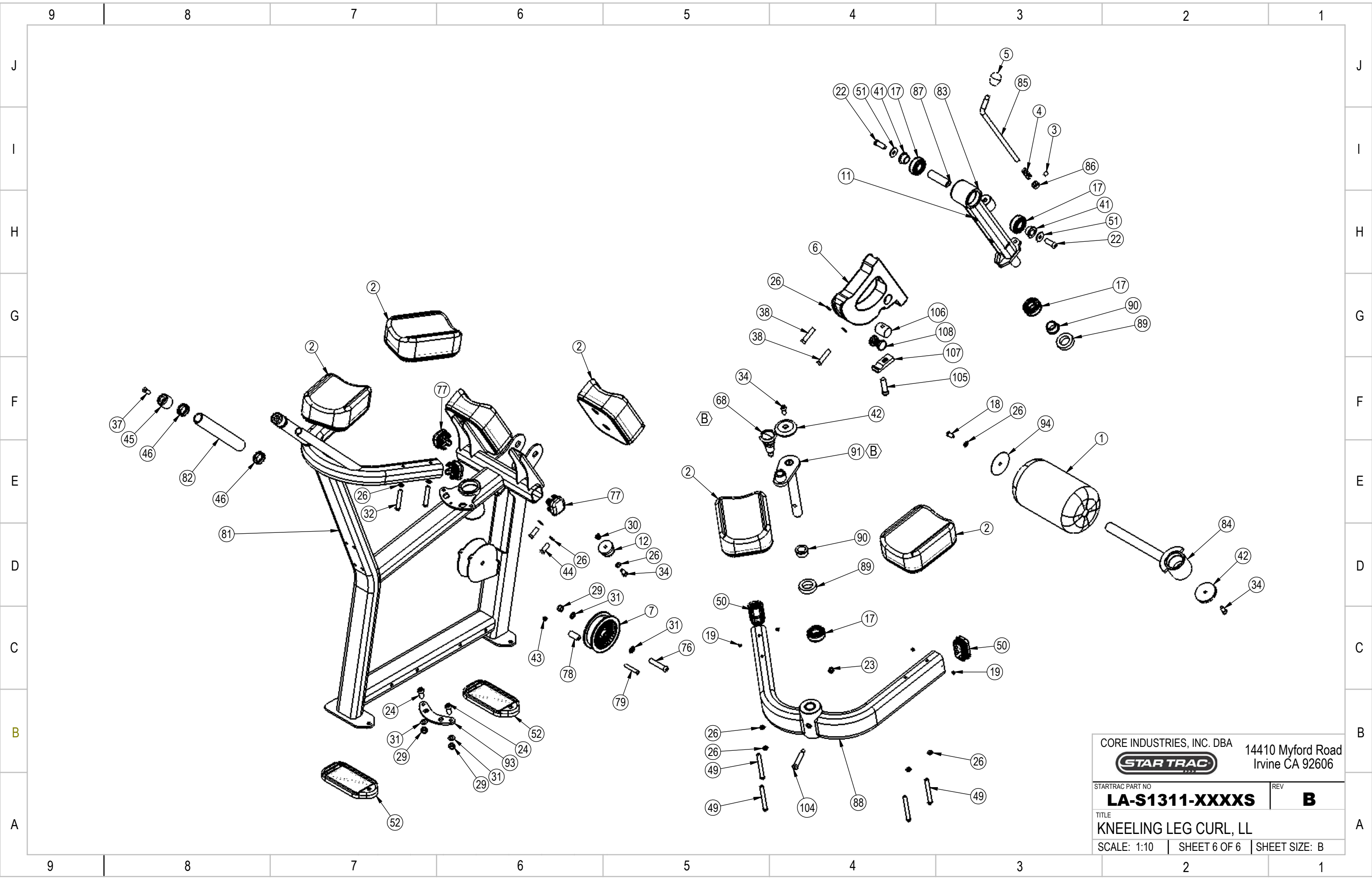
TITLE
KNEELING LEG CURL, LL

SCALE: 1:18 | SHEET 4 OF 6 | SHEET SIZE: B



CORE INDUSTRIES, INC. DBA **STARTRAC** 14410 Myford Road
Irvine CA 92606

STARTRAC PART NO	REV
LA-S1311-XXXXS	B
TITLE	
KNEELING LEG CURL, LL	
SCALE: 1:6	SHEET 5 OF 6 SHEET SIZE: B



CORE INDUSTRIES, INC. DBA **STARTRAC** 14410 Myford Road
Irvine CA 92606

STARTRAC PART NO. **LA-S1311-XXXXS** REV. **B**

TITLE: **KNEELING LEG CURL, LL**

SCALE: 1:10 | SHEET 6 OF 6 | SHEET SIZE: B