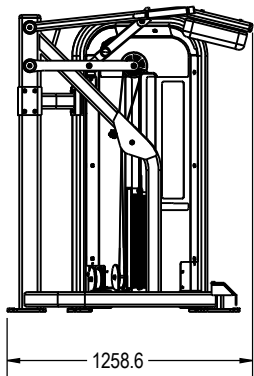
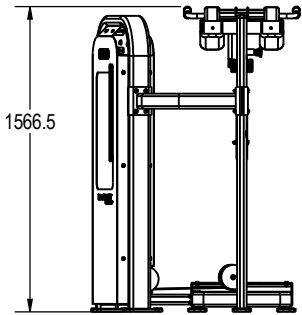
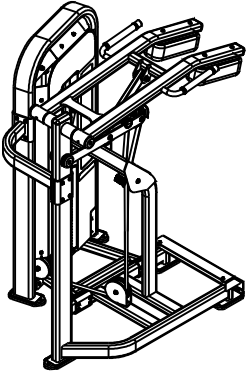
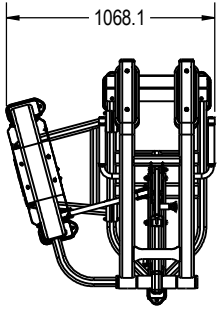


REVISION HISTORY				
REV	DATE	DESCRIPTION	ECO	BY
A	11/1/2011	RELEASED FOR PRODUCTION	13676	KEY



NOTICE OF PROPRIETARY INFORMATION

THIS DOCUMENT SHALL NOT BE REPRODUCED NOR SHALL THE INFORMATION CONTAINED HEREIN BE USED BY OR DISCLOSED TO OTHER EXCEPT AS EXPRESSLY AUTHORIZED BY CORE INDUSTRIES, INC., D.B.A. STAR TRAC.

**DOCUMENT STATUS:
DEVELOPMENT**

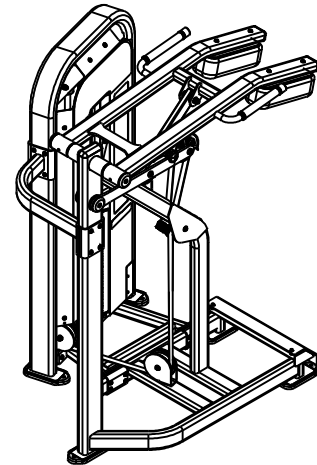
- NOTES:
- ASSEMBLE AND INSPECT PER SOP 620-7918.
 - INSTALL Kg STICKER AND AFFIX Lb STICKER TO INSIDE OF SHROUD WITH TAPE.

CLASS OF WORK	UNLESS OTHERWISE SPECIFIED DIMS ARE IN mm. TOLERANCES FOR MEASURE OF LENGTH ARE:							ANGLES = ±2°		
	0.5 to 3	> 3 to 6	> 6 to 30	> 30 to 120	> 120 to 400	> 400 to 1000	> 1000 to 2000	> 2000		
FINE	±0.05	±0.05	±0.1	±0.15	±0.2	±0.3	±0.5	----		
MEDIUM X	±0.1	±0.1	±0.2	±0.3	±0.5	±0.8	±1.2	±2		
COARSE	±0.2	±0.3	±0.5	±0.8	±1.2	±2	±3	±4		
VERY COARSE	----	±0.5	±1	±1.5	±2.5	±4	±6	±8		

MATERIAL SEE BOM	THIRD ANGLE PROJECTION 												
FINISH N/A	<table border="1"> <tr> <td>DRAWN</td> <td>KEY</td> <td>DATE</td> <td>8/17/12</td> </tr> <tr> <td>CHECKED</td> <td></td> <td></td> <td></td> </tr> <tr> <td>APPROVED</td> <td></td> <td></td> <td></td> </tr> </table>	DRAWN	KEY	DATE	8/17/12	CHECKED				APPROVED			
DRAWN	KEY	DATE	8/17/12										
CHECKED													
APPROVED													
VENDOR: N/A	P/N: N/A												

CORE INDUSTRIES, INC. DBA		14410 Myford Road Irvine CA 92606	
		STARTRAC PART NO	REV
		LA-S1309-XXXXS	008
TITLE LA,SSS,STANDING CALF			
SCALE: 1:25	SHEET 1 OF 7	SHEET SIZE: B	

9	8		7	6	5		4	3	2		1		
J	ITEM NO.	PART NUMBER	DESCRIPTION	Default/ QTY.	ITEM NO.	PART NUMBER	DESCRIPTION	Default/ QTY.	ITEM NO.	PART NUMBER	DESCRIPTION	Default/ QTY.	J
I	1	4900-0440	PULLEY,BELT,4.75D,3/8B,1.5W,MOLDED	3	46	731-3111	SHROUD,OUTSIDE,SHORT,IMP	1	91	731-3986	ROLL PIN, M3 X 16	2	I
H	2	4900-0441	PULLEY,BELT,4.75D,1/2B,1.5W,MOLDED	1	47	731-3113	BRKT,SHROUD,IMP	6	92	731-4780	STICKER,LOCK N LOAD,IMPACT	1	H
G	3	4900-0540	BALL STUD, 10 mm X .75" LG. TH'D	2	48	731-3114	BRKT, SHROUD, UPPER,IMP	2	93	731-4882	WINDOW,IMP,SHORT	1	G
F	4	4900-0620	PULLEY,BELT,4.75D,3/8B,1.74W,MOLDED	2	49	731-3115	HOUSING,PLASTIC,WGT STACK,IMP	2	94	731-4948	PLACARD,IMPACT, STANDING CALF	1	F
E	5	4900-0626	TAPE, 3M VHB 5925	500	50	731-3116	BRKT,MOUNT,LOWER,INCR CHNL,IMP	1	95	731-5161	STICKER, IMPACT STRENGTH	1	E
D	6	731-0040	STOP,Ø50X26,RUBBER	1	51	731-3118	COVER,SHROUD,RIGHT, IMP	1	96	731-5217	WINDOW,INSIDE,IMPACT,IMP,SHORT	1	D
C	7	731-0113	ASSY,2.5Kg,ADD ON	1	52	731-3122	BRKT,MOUNT,UPPER,INCR.CHAN,IMP.	1					C
B	8	731-0119	NUT,M12X1.75, NYLOC	3	53	731-3267	ASSY, MAIN FRAME, 1309	1					B
A	9	731-0124	CAP,GUIDE ROD,RUBBER	2	54	731-3283	UPPER ROM TUBE ASSY	1					A
	10	731-0137	BEARING,52 OD,25 ID,X 15MM	4	55	731-3286	ARM ASSY, S1309	1					
	11	731-0169	SCREW, M8X1.25,20MM, BHC, HK	2	56	731-3293	UPPER WF ATTACH ASSY	1					
	12	731-0209	CAP, END, 110 X 50	1	57	731-3295	LOWER WF ATTACH ASSY	1					
	13	731-0235	SCREW,M8 X 1.25,75mm,BHC,HK	8	58	731-3300	CLAMHELL, 76X110	2					
	14	731-0287	NUT,M8x1.25,NYLOCK	1	59	731-3301	LOWER ROM ASSY	1					
	15	731-0319	SCREW,M10 X 1.5,75MM,BHC,ZP	1	60	731-3303	MAIN PIVOT PIN,1309	1					
	16	731-0354	SCREW,M8 X 1.25,25MM,HHM,HE	6	61	731-3304	LEV ARM BOSS	2					
	17	731-0355	WASHER,PLAIN,M8,NARROW	60	62	731-3305	FOOT PLATE, S1309	1					
	18	731-0357	WASHER,PLAIN,M12	6	63	731-3306	SHOCK, 120 lbs, 213C X 90S	1					
	19	731-0363	NUT,M10X1.5,NYLOC	5	64	731-3307	LEV ARM 1	1					
	20	731-0365	NUT,M8 X 1.25,NYLOC JAM	27	65	731-3308	LEVERAGE ARM 2	1					
	21	731-0367	WASHER,PLAIN,M10	10	66	731-3309	BUMP STOP ASSY	1					
	22	731-0370	SCREW,M8 X 1.25,65mm,BHC,HK	4	67	731-3312	ASSY, PULLEY COVER, S1309	1					
	23	731-0371	SCREW,M10 X 1.5,70MM,BHC,HK	2	68	731-3320	BRONZE BUSHING,32X20	4					
	24	731-0373	WASHER,PLAIN,M6	8	69	731-3321	BUSHING,ROM,1309	1					
	25	731-0379	SCREW,M8 X1.25,20mm,SHC,HK	4	70	731-3322	STICKER,NAME,STANDING CALF	1					
	26	731-0381	HOUSING,LOGO,STARTRAC	1	71	731-3323	STICKER,IMP,130 KG	1					
	27	731-0397	SCREW,M8 X 1.25,25mm,FHM,HK	2	72	731-3324	WELD,ADD ON,SHORT,IMP	2					
	28	731-0398	SCREW,M8 X 1.25,70mm,BHC,HK	8	73	731-3417	ASSY,WGT STK,130KG	1					
	29	731-0513	STICKER,STAR TRAC,DECO,45MMX191MM	1	74	731-3522	SCREW,M8 X 1.25,110mm,BHC,HK,NP	3					
	30	731-0532	SCREW,M8 X 1.25,12MM,HHM,HE	2	75	731-3537	GUIDE RODE,Ø22MM X 1248MM	2					
	31	731-0582	SETSCREW, M8 X 1.25, 10mm, CUP	2	76	731-3556	ASSY,WGT FRAME,1309	1					
	32	731-0705	HAT, SPACER, 25 OD X 20 ID	2	77	731-3557	BOLT PLATE,FLAT,52X105 HS	1					
	33	731-1265	CAP,END,65MM,NO GROOVE	4	78	731-3558	BRKT,C-SHP,110X50,NO BREATHER	1					
	34	731-1363	NUT, M6X1.0, NYLOC	5	79	731-3559	SCREW,M10 X 1.5,65MM,BHC,HK, NP	2					
	35	731-1777	SCREW,M8 X 1.25,30mm,BHC,HK	1	80	731-3560	SCREW, M12 X 1.75, 110mm, BHC, HK	2					
	36	731-1904	END CAP	2	81	731-3561	GRIP,1309, 25mm	2					
	37	731-1916	HOUSING,PLASTIC,WGT STACK,DAP	1	82	731-3562	SCREW, M12 X 1.75, 90mm, BHC, HK	1					
	38	731-1917	TRIM RING,GRIP	4	83	731-3773	PLATE, BELT CLAMP, IMP	2					
	39	731-1932	RIVET,5MM	19	84	731-3780	SCREW,M6 X1.0, 35mm, BHC,HK	4					
	40	731-1933	RIVET, PUSH TYPE	17	85	731-3796	ASSY,STOP,MOUNT,ADD ON,IMP	1					
	41	731-1994	PULL PIN,LARGE	1	86	731-3833	TUBE,BELT GUIDE	1					
	42	731-2073	CAP,TUBE,44.5 X 76.2	2	87	731-3834	SCREW,M6X1.0,55MM,BHC,HK	1					
	43	731-2426	BUSHING,ROM,LEG PRESS	1	88	731-3952	SHAFT,20MM,D,3303	1					
	44	731-2647	FOOT,LONG,LEVERAGE	5	89	731-3984-00XX	ASSY,UPHOLSTERY,101.6 x 305	2					
	45	731-3109	SHROUD,INSIDE,TALL,IMP	1	90	731-3985	BELT,1309	1					



CORE INDUSTRIES, INC. DBA

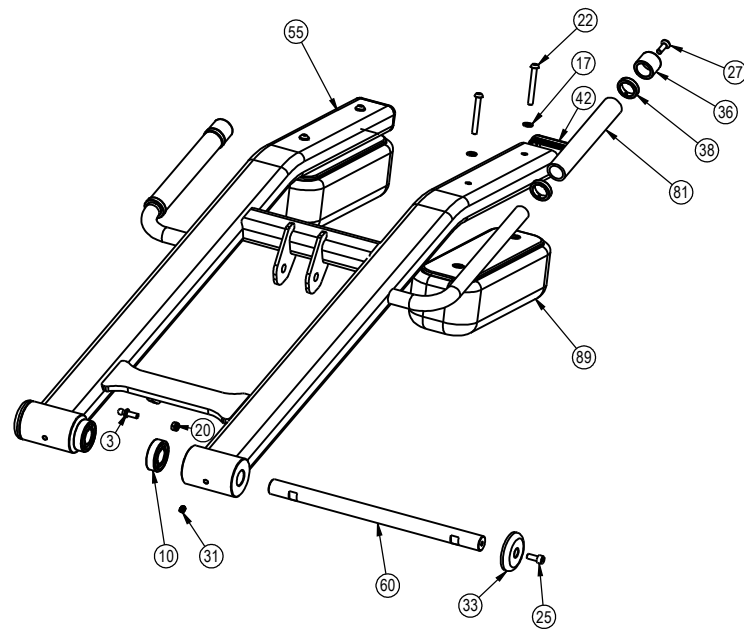
STARTRAC

14410 Myford Road
Irvine CA 92606

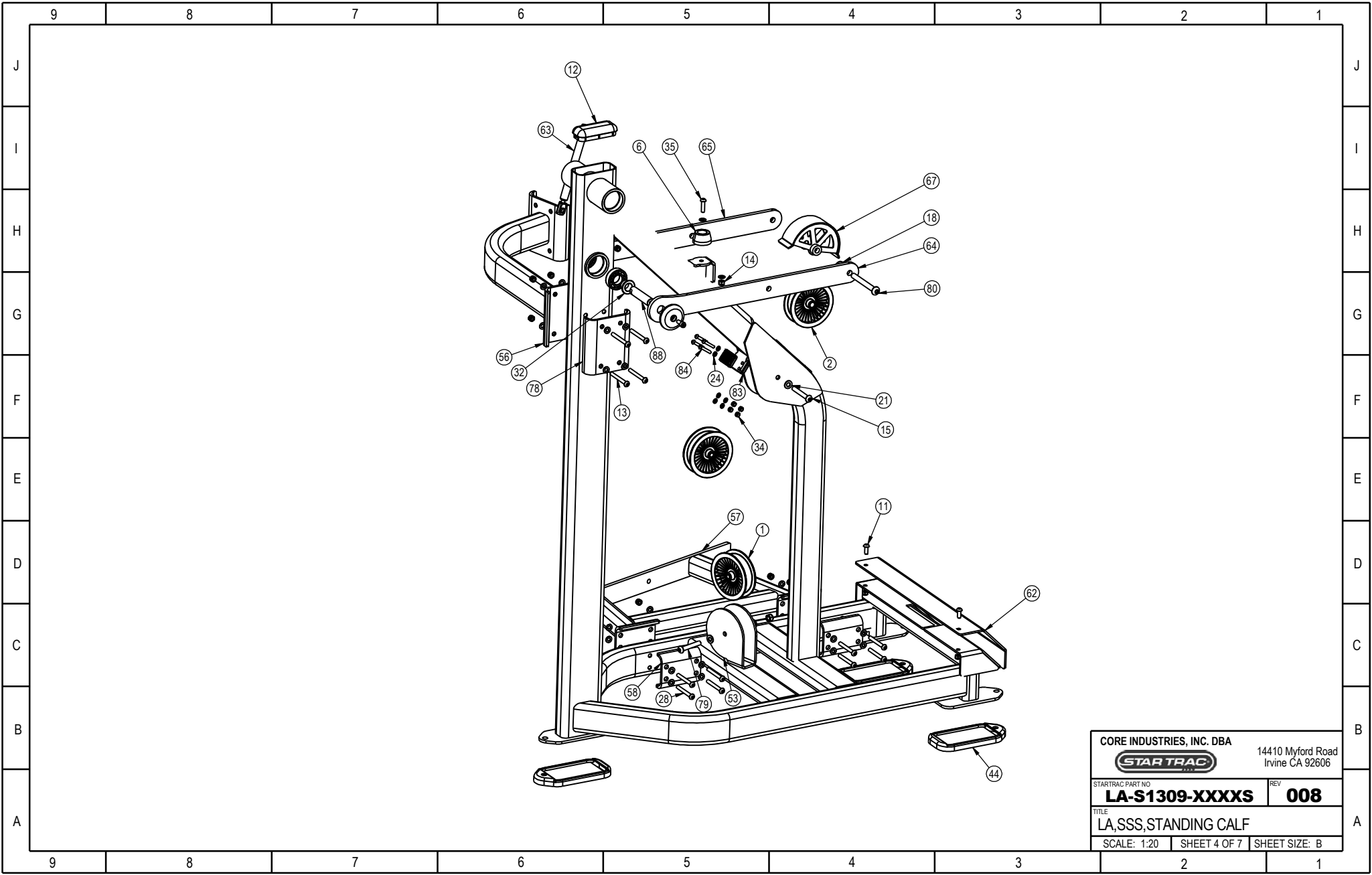
STARTRAC PART NO: **LA-S1309-XXXXS** REV: **008**

TITLE: **LA,SSS,STANDING CALF**

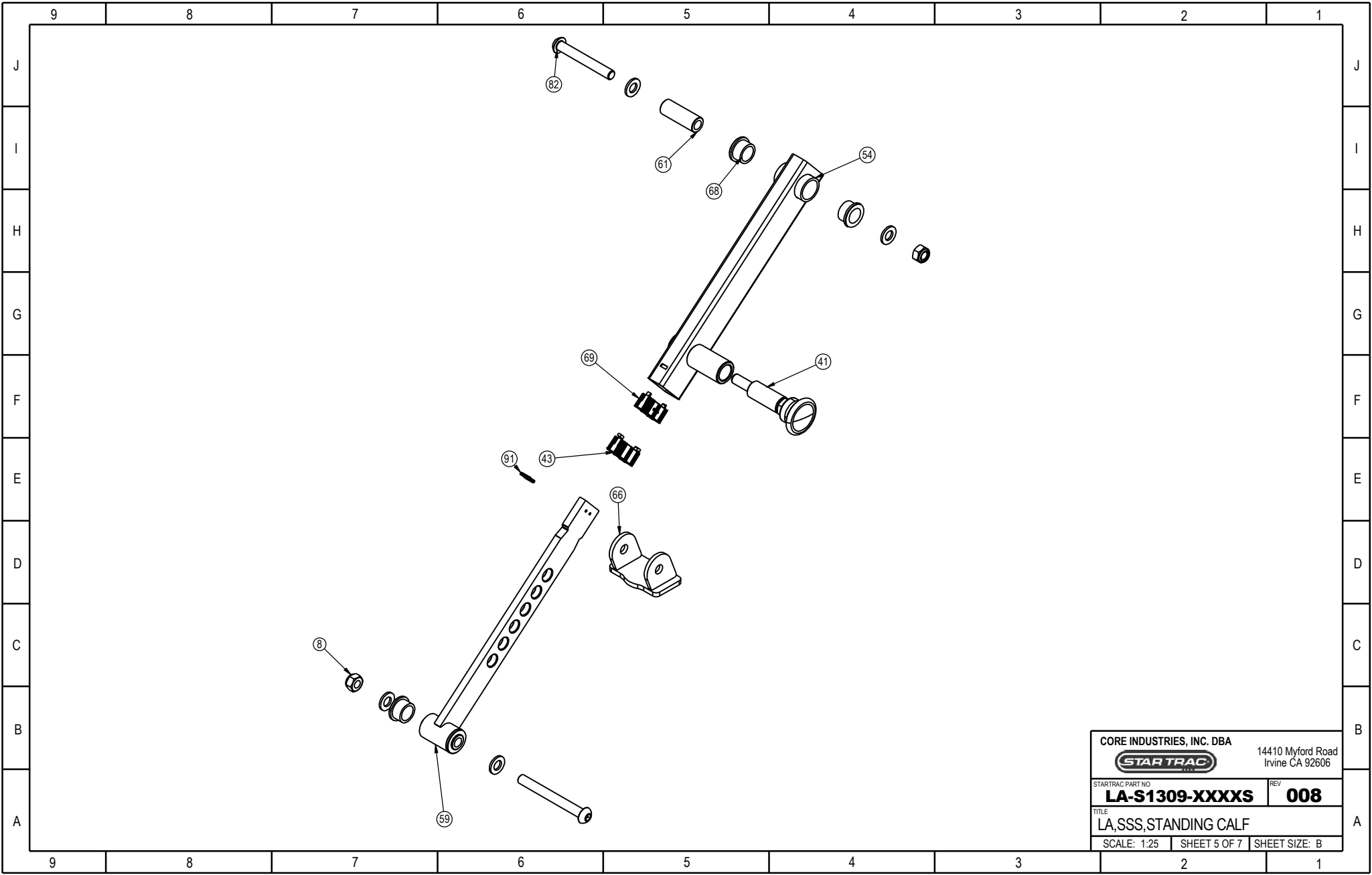
SCALE: 1:20 SHEET 2 OF 7 SHEET SIZE: B



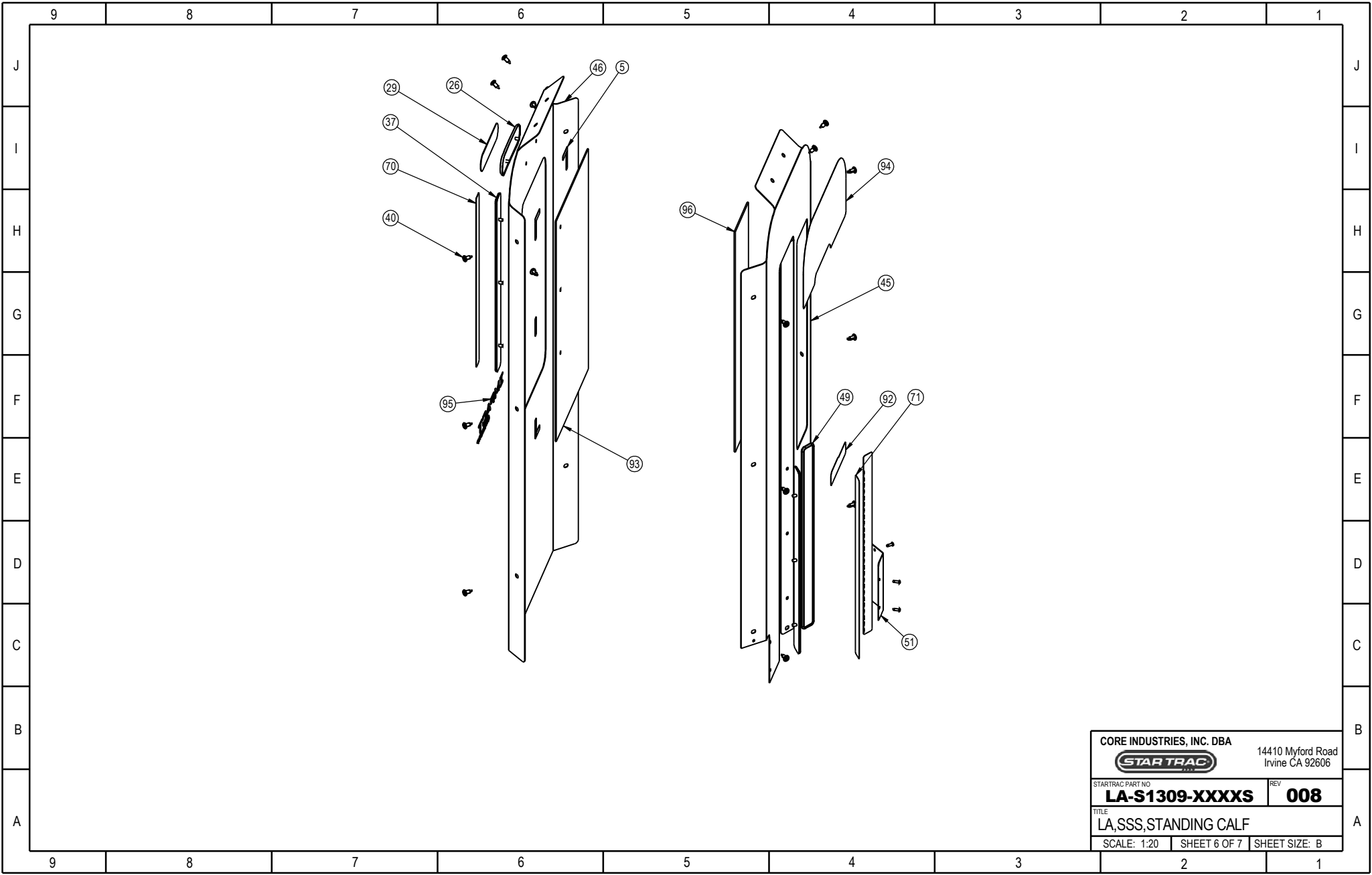
CORE INDUSTRIES, INC. DBA		14410 Myford Road Irvine CA 92606
STARTRAC PART NO	LA-S1309-XXXXS	REV 008
TITLE LA,SSS,STANDING CALF		
SCALE: 1:20	SHEET 3 OF 7	SHEET SIZE: B



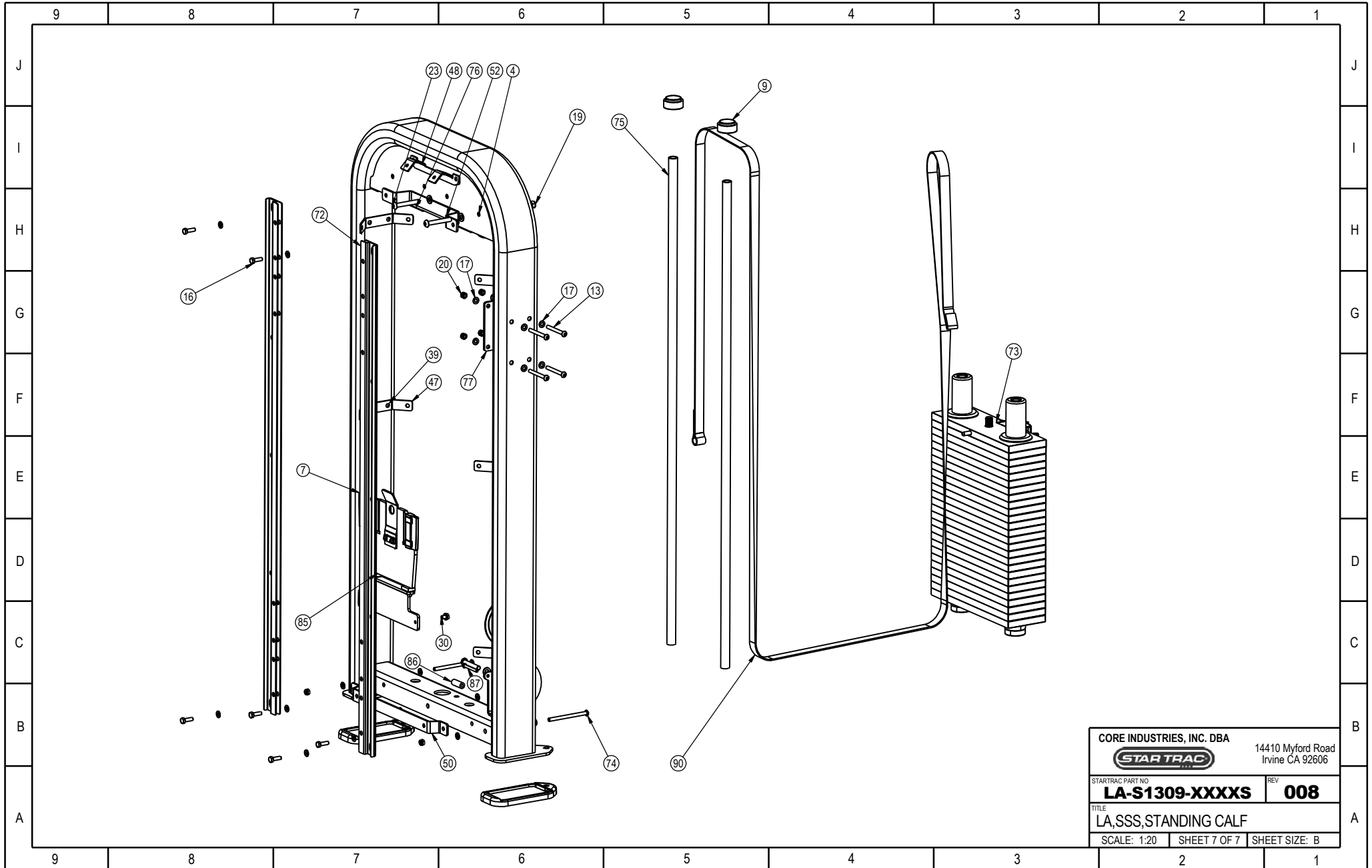
CORE INDUSTRIES, INC. DBA		14410 Myford Road
STAR TRAC		Irvine CA 92606
STARTRAC PART NO	REV	
LA-S1309-XXXXS	008	
TITLE		
LA,SSS,STANDING CALF		
SCALE: 1:20	SHEET 4 OF 7	SHEET SIZE: B



CORE INDUSTRIES, INC. DBA		14410 Myford Road Irvine CA 92606
STARTRAC PART NO	LA-S1309-XXXXS	REV 008
TITLE LA,SSS,STANDING CALF		
SCALE: 1:25	SHEET 5 OF 7	SHEET SIZE: B



CORE INDUSTRIES, INC. DBA		14410 Myford Road Irvine CA 92606
STARTRAC PART NO	LA-S1309-XXXXS	REV 008
TITLE LA,SSS,STANDING CALF		
SCALE: 1:20	SHEET 6 OF 7	SHEET SIZE: B



CORE INDUSTRIES, INC. DBA		14410 Myford Road Irvine CA 92606
STAR TRAC		
STARTRAC PART NO	LA-S1309-XXXXS	REV 008
TITLE LA,SSS,STANDING CALF		
SCALE: 1:20	SHEET 7 OF 7	SHEET SIZE: B