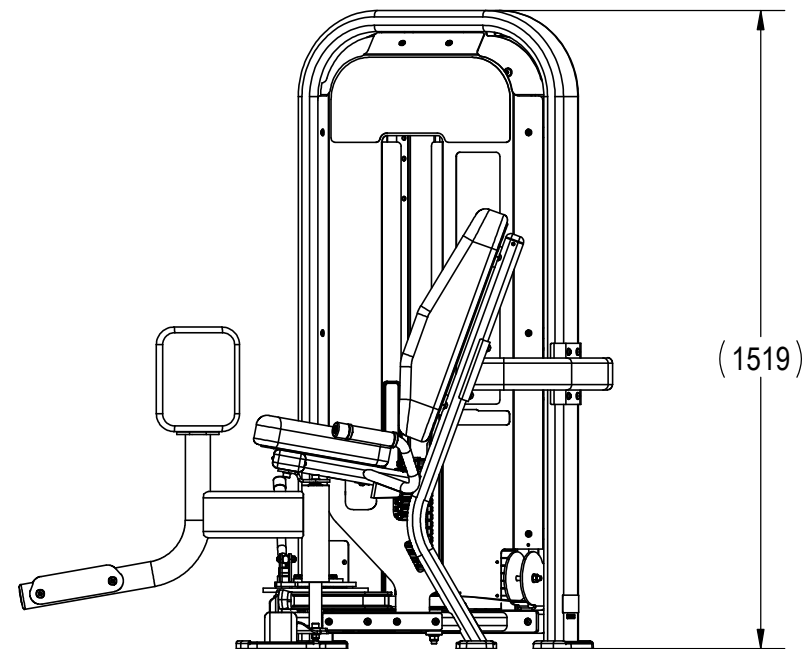
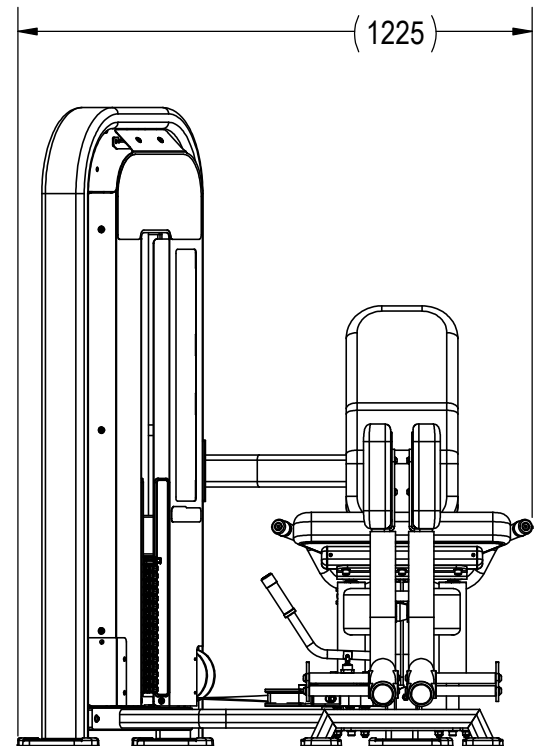
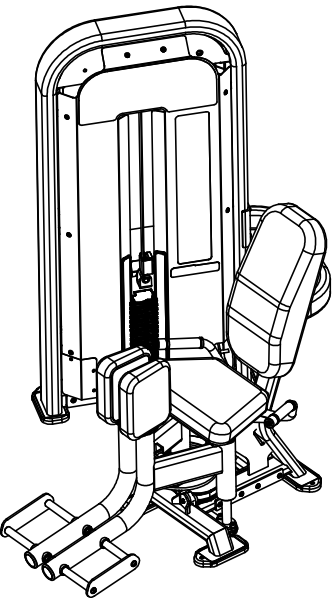
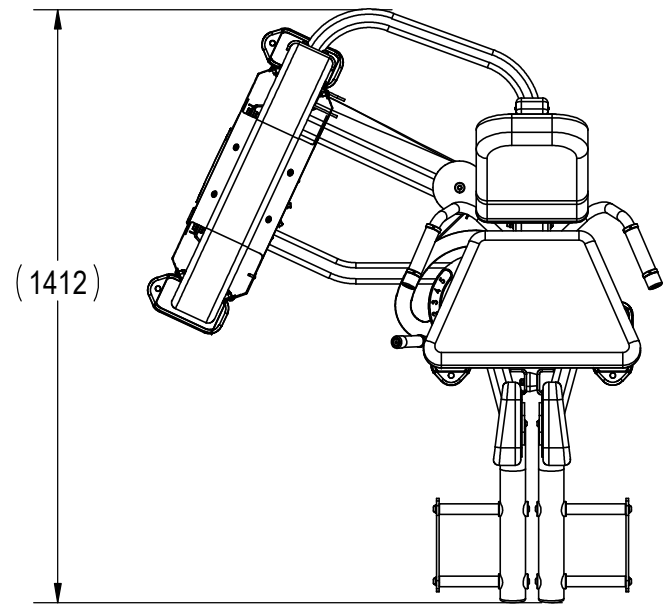


REVISION HISTORY				
REV	DATE	DESCRIPTION	ECO	BY
A	9/28/2012	RELEASED DRAWING	13675	PG



NOTICE OF PROPRIETARY INFORMATION  
 THIS DOCUMENT SHALL NOT BE REPRODUCED NOR SHALL THE INFORMATION CONTAINED HEREIN BE USED BY OR DISCLOSED TO OTHER EXCEPT AS EXPRESSLY AUTHORIZED BY CORE INDUSTRIES, INC., D.B.A. STAR TRAC.

**DOCUMENT STATUS:**

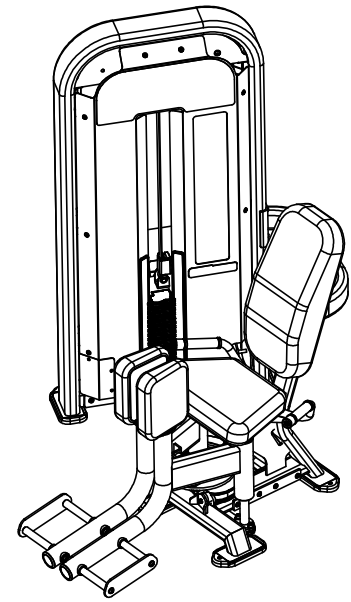
NOTES:  
 1. ASSEMBLE AND INSPECT PER SOP 620-7918.

CLASS OF WORK	UNLESS OTHERWISE SPECIFIED DIMS ARE IN mm. TOLERANCES FOR MEASURE OF LENGTH ARE:							ANGLES = ±2°
	0.5 to 3	> 3 to 6	> 6 to 30	> 30 to 120	> 120 to 400	> 400 to 1000	> 1000 to 2000	
FINE	±0.05	±0.05	±0.1	±0.15	±0.2	±0.3	±0.5	----
MEDIUM <b>X</b>	±0.1	±0.1	±0.2	±0.3	±0.5	±0.8	±1.2	±2
COARSE	±0.2	±0.3	±0.5	±0.8	±1.2	±2	±3	±4
VERY COARSE	----	±0.5	±1	±1.5	±2.5	±4	±6	±8

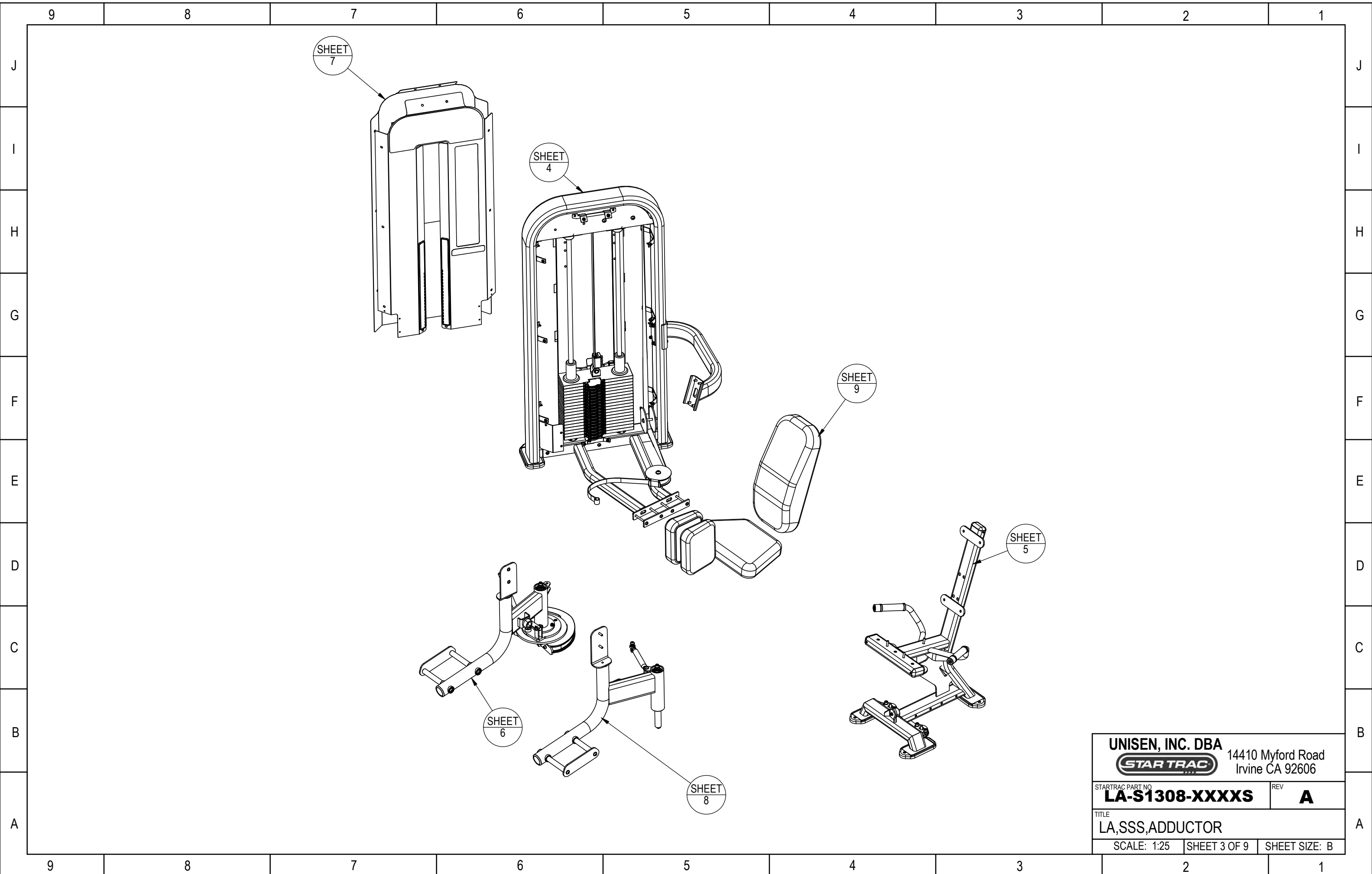
<b>MATERIAL</b> SEE BOM	<b>THIRD ANGLE PROJECTION</b> 	
<b>FINISH</b> N/A	DRAWN	DATE
<b>VENDOR: N/A</b>	PG	9/28/12
<b>P/N: N/A</b>	U.O.M.	MM

<b>CORE INDUSTRIES, INC. DBA</b> 		14410 Myford Road Irvine CA 92606	
STARTRAC PART NO	REV	<b>LA-S1308-XXXXS</b> <b>A</b>	
TITLE <b>LA,SSS,ADDUCTOR</b>			
SCALE: 1:25	SHEET 1 OF 9	SHEET SIZE: B	

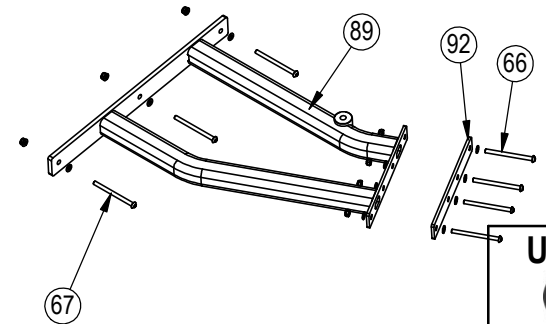
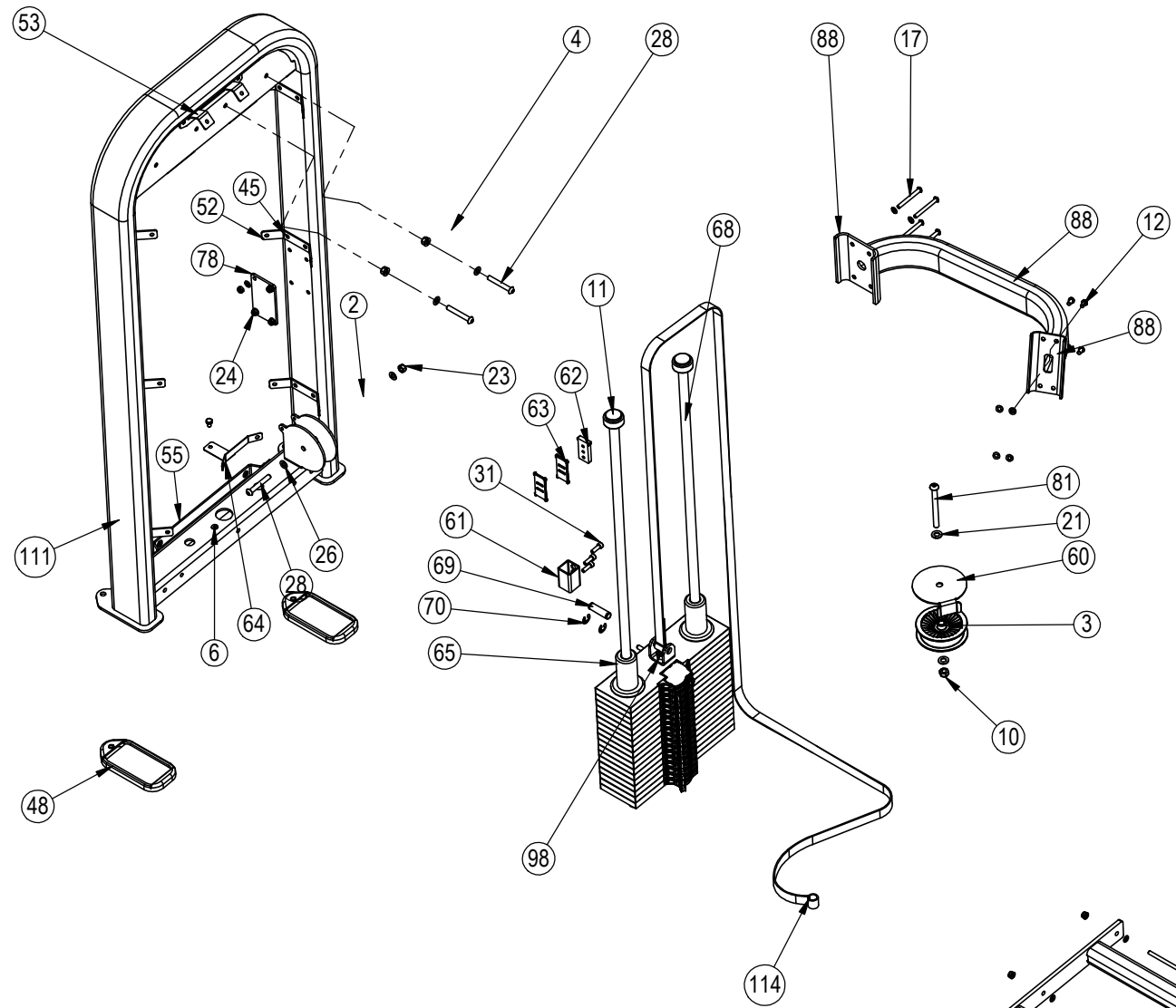
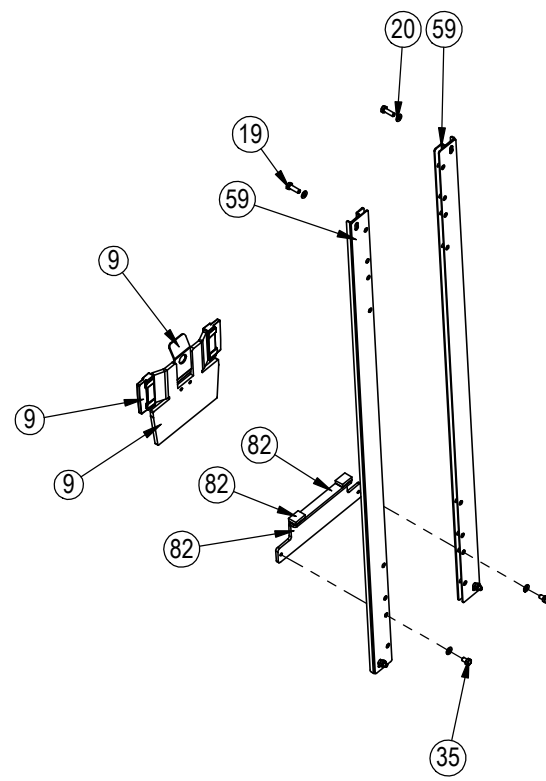
9		8		7		6		5		4		3		2		1	
		ITEM NO.	PART NUMBER	DESCRIPTION		Default/QTY.			ITEM NO.	PART NUMBER	DESCRIPTION		Default/QTY.				
J	1	4900-0071	CAM, S1307/1308		1	69	731-3540	PIN, BELT CLAMP		1							J
	2	4900-0440	PULLEY, BELT, 4.75D, 3/8B, 1.5W, MOLDED		1	70	731-3541	CLIP, BELT CLAMP PIN		2							
	3	4900-0441	PULLEY, BELT, 4.75D, 1/2B, 1.5W, MOLDED		1	71	731-3542	SCREW, M12 X 1.75, 50mm, SHC, HK, CS, N		1							
	4	4900-0620	PULLEY, BELT, 4.75D, 3/8B, 1.74W, MOLDED		2	72	731-3545	END CAP, 19MM TUBE		1							
I	5	4900-0626	TAPE, 3M VHB 5925		1100	73	731-3546	TRIM RING, 19MM TUBE		1							
	6	731-0033	NUT, RIVET, M8 X 1.25		5	74	731-3547	GRIP, 1301, 19MM		1							
	7	731-0034	WASHER, M8, 34MM OD, 1.5MM THK		1	75	731-3551	PIN, CAM, BELT CLAMP		1							
	8	731-0040	STOP, Ø50X26, RUBBER		2	76	731-3552	CLAMP, CAM, BELT CLAMP		1							
	9	731-0113	ASSY, 2.5Kg, ADD ON		1	77	731-3553	WRAP PIN, BELT CLAMP		1							
H	10	731-0119	NUT, M12X1.75, NYLOC		1	78	731-3557	BOLT PLATE, FLAT, 52X105 HS		1							
	11	731-0124	CAP, GUIDE ROD, RUBBER		2	79	731-3616	STICKER, IMP, 90 KG		1							
	12	731-0169	SCREW, M8X1.25, 20MM, BHC, HK		4	80	731-3671	SPACER, M10, 5MM		4							
	13	731-0188	COLLAR, O-RING SEAL		2	81	731-3779	SCREW, M12 X 1.75, 125mm, BHC, HK		1							
G	14	731-0190	O-RING, 3.5 DIA X 45 ID		2	82	731-3796	ASSY, STOP, MOUNT, ADD ON, IMP		1							
	15	731-0208	MACHINE WASHER 25MM ID		2	83	731-3874	HOUSING, WGT FRAME, NAME, SHORT		1							
	16	731-0225	SCREW, M3.5 X 9.5, SELF TAPPING		6	84	731-4224	BUSHING, 26MM ID		2							
	17	731-0235	SCREW, M8 X 1.25, 75mm, BHC, HK		7	85	731-4557-XX	WELD, LEFT LEG, ADD		1							
	18	731-0335	STICKER, MADE IN CHINA, IP		1	86	731-4565-XX	WELD, RIGHT LEG, ADD		1							
	19	731-0354	SCREW, M8 X 1.25, 25MM, HHM, HE		6	87	731-4567-XX	WELD, ROM HANDLE PLATE		1							
	20	731-0355	WASHER, PLAIN, M8, NARROW		64	88	731-4572-XX	WELD, UPPER CONN, AB/AD		1							
	21	731-0357	WASHER, PLAIN, M12		2	89	731-4574-XX	WELD, FRAME CONN, LOW, AB/AD		1							
	22	731-0359	SCREW, M8 X 1.25, 25mm, BHC, HK		2	90	731-4580	SHAFT, LEG PIVOT, AB/AD		2							
	23	731-0363	NUT, M10X1.5, NYLOC		13	91	731-4581-XX	COLLAR, SHAFT, 25X112		1							
F	24	731-0365	NUT, M8 X 1.25, NYLOC JAM		24	92	731-4582	PLATE, WEIGHT STACK SUPPORT		1							
	25	731-0366	SCREW, M10 X 1.5, 50MM, BHC, HK		2	93	731-4583-XX	PLATE, FOOT, AB/AD		2							
	26	731-0367	WASHER, PLAIN, M10		41	94	731-4670-00XX	ASSY, UPHOLSTRY, BACK PAD AB		1							
	27	731-0368	SCREW, M8 X 1.25, 40mm, BHC, HK		1	95	731-4780	STICKER, LOCK N LOAD, IMPACT		1							
	28	731-0371	SCREW, M10 X 1.5, 70MM, BHC, HK		7	96	731-4791	STICKER, NAME, ADDUCTOR		1							
	29	731-0379	SCREW, M8 X 1.25, 20mm, SHC, HK		2	97	731-4882	WINDOW, IMP, SHORT		1							
	30	731-0381	HOUSING, LOGO, STARTRAC		1	98	731-4894	NUT, M16X1.5, NYLOC, ZP		1							
	31	731-0390	SCREW, M8 X 1.25, 25mm, SHC, HK		3	99	731-4965	PLACARD, IMPACT, ADDUCTOR		1							
	32	731-0397	SCREW, M8 X 1.25, 25mm, FHM, HK		7	100	731-5032-XX	ASSY, WELD, MAIN FRAME, 1308		1							
	33	731-0513	STICKER, STAR TRAC, DECO, 45MMX191MM		1	101	731-5060-00XX	ASSY, SEAT PAD, AB/AD		1							
	E	34	731-0517	STICKER, WARNING, BOLT DOWN		1	102	731-5061-00XX	ASSY, THIGH PAD, AB/AD		2						
35		731-0532	SCREW, M8 X 1.25, 12MM, HHM, HE		3	103	731-5062	FOOT PEG, AB/AD		4							
36		731-0583	STICKER, SERIAL NUMBER, IP		1	104	731-5063-XX	BRKT, UPPER PIVOT, AB/AD		1							
37		731-0813	WASHER, TAB, M24		2	105	731-5064	ASSY, TIE ROD, 219.3mm ADJ		1							
38		731-0815	NUT, M24, TAB		2	106	731-5066-XX	PLATE, PIVOT ADJUST		2							
D	39	731-0842	ASSY, BRG, TAPER, 30205		4	107	731-5067-XX	WELD, LOWER ROM PLATE		1							
	40	731-1194	SCREW, M6 x 1.0, 16mm, FHM, HK		2	108	731-5070	ASSY, ROM PIN, AB/AD		1							
	41	731-1777	SCREW, M8 X 1.25, 30mm, BHC, HK		8	109	731-5072	ROM PLATE, AB/AD		1							
	42	731-1852	SCREW, M10 X 1.5, 30mm, SHCS, HK, NP		11	110	731-5073	NUMBER PLATE, AB/AD		1							
	43	731-1904	END CAP		2	111	731-5074	ASSY, WGT FRAME, AB/AD		1							
	44	731-1917	TRIM RING, GRIP		4	112	731-5081-XX	ROM HANDLE, AB/AD		1							
	45	731-1932	RIVET, 5MM		19	113	731-5082-XX	STOP TAB, ABD		1							
	46	731-1933	RIVET, PUSH TYPE		19	114	731-5084	BELT, AB/AD		1							
	47	731-2073	CAP, TUBE, 44.5 X 76.2		3	115	731-5091	GRIP, AB/AD, 25MM		2							
	48	731-2647	FOOT, LONG, LEVERAGE		5	116	731-5161	STICKER, IMPACT STRENGTH		1							
C	49	731-2855	CAP END 60MM TUBE		2	117	731-5217	WINDOW, INSIDE, IMPACT, IMP, SHORT		1							
	50	731-3109	SHROUD, INSIDE, TALL, IMP		1	118	731-5783	RETAINING RING, EXT., 25MM SHAFT		2							
	51	731-3111	SHROUD, OUTSIDE, SHORT, IMP		1	119	740-7809	NUT, RIVET, M10 X 1.5		3							
	52	731-3113	BRKT, SHROUD, IMP		6	120	731-5781	LINK, CHAIN		1							
	53	731-3114	BRKT, SHROUD, UPPER, IMP		2	121	731-5782	SCREW, M10X1.5, 25MM, HHC, HE, CS, BZ		4							
	54	731-3115	HOUSING, PLASTIC, WGT STACK, IMP		2												
	55	731-3116	BRKT, MOUNT, LOWER, INCR CHNL, IMP		1												
	56	731-3117	COVER, SHROUD, LEFT, IMP		1												
	57	731-3122	BRKT, MOUNT, UPPER, INCR, CHAN, IMP		1												
B	58	731-3195	SCREW, M10 X 1.5, 30MM, BHC, HK		4												
	59	731-3324	WELD, ADD ON, SHORT, IMP		2												
	60	731-3387	BELT GUIDE, 63MM		1												
A	61	731-3391	BELT CLAMP BODY		1												
	62	731-3392	PLATE, THREADED, BELT CLAMP		1												
	63	731-3393	BELT CLAMP PLATE		2												
	64	731-3396	SHROUD CENTER SUPPORT		1												
	65	731-3415	ASSY, WGT STK, 90kG		1												
	66	731-3521	SCREW, M8 X 1.25, 105mm, BHC, HK, NP		4												
	67	731-3522	SCREW, M8 X 1.25, 110mm, BHC, HK, NP		3												
	68	731-3537	GUIDE RODE, Ø22MM X 1248MM		2												




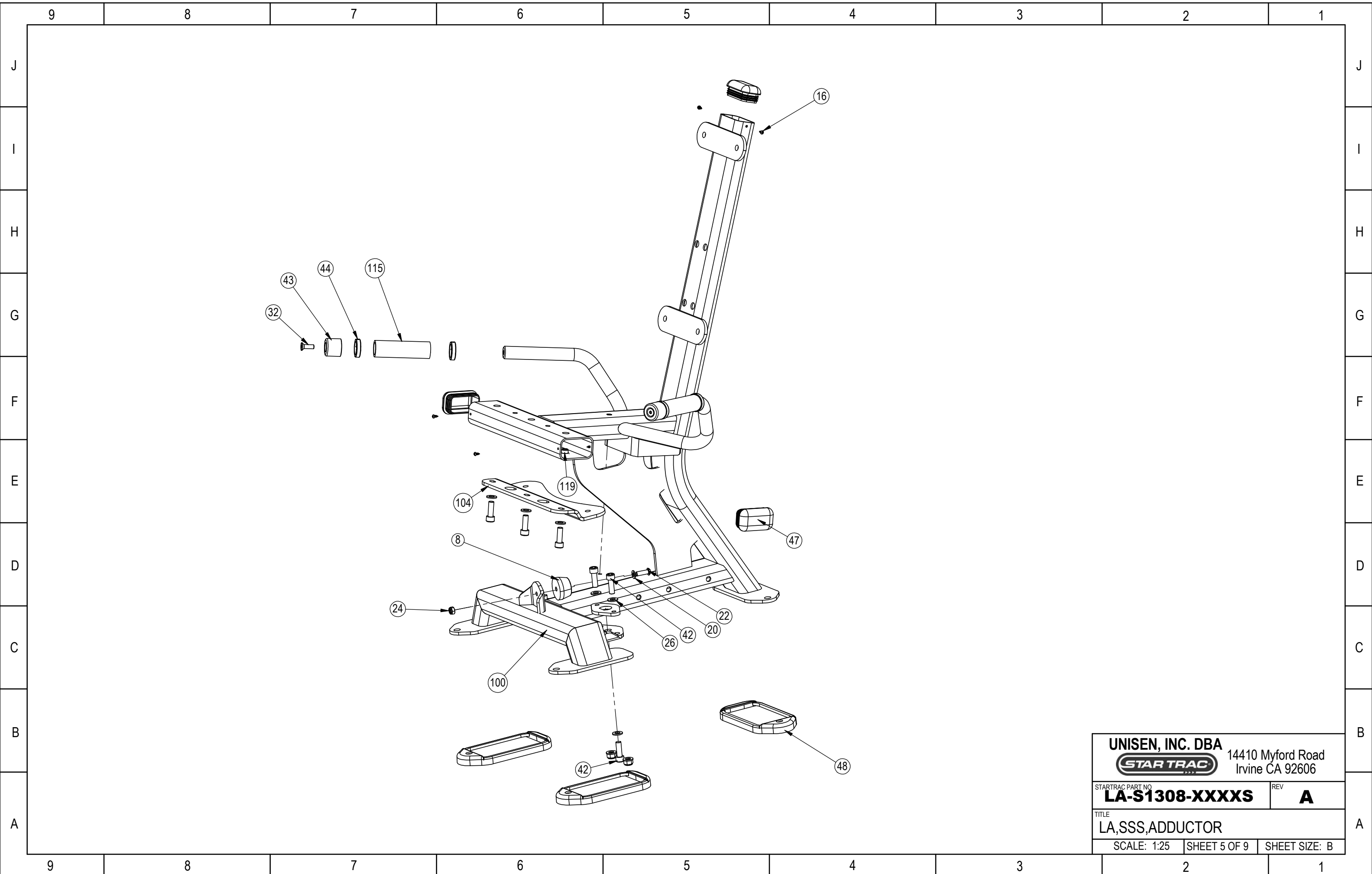
<b>UNISEN, INC. DBA</b> <b>STARTRAC</b>		14410 Myford Road Irvine CA 92606	
STARTRAC PART NO <b>LA-S1308-XXXXS</b>	REV <b>A</b>		
TITLE <b>LA, SSS, ADDUCTOR</b>			
SCALE: 1:25	SHEET 2 OF 9	SHEET SIZE: B	




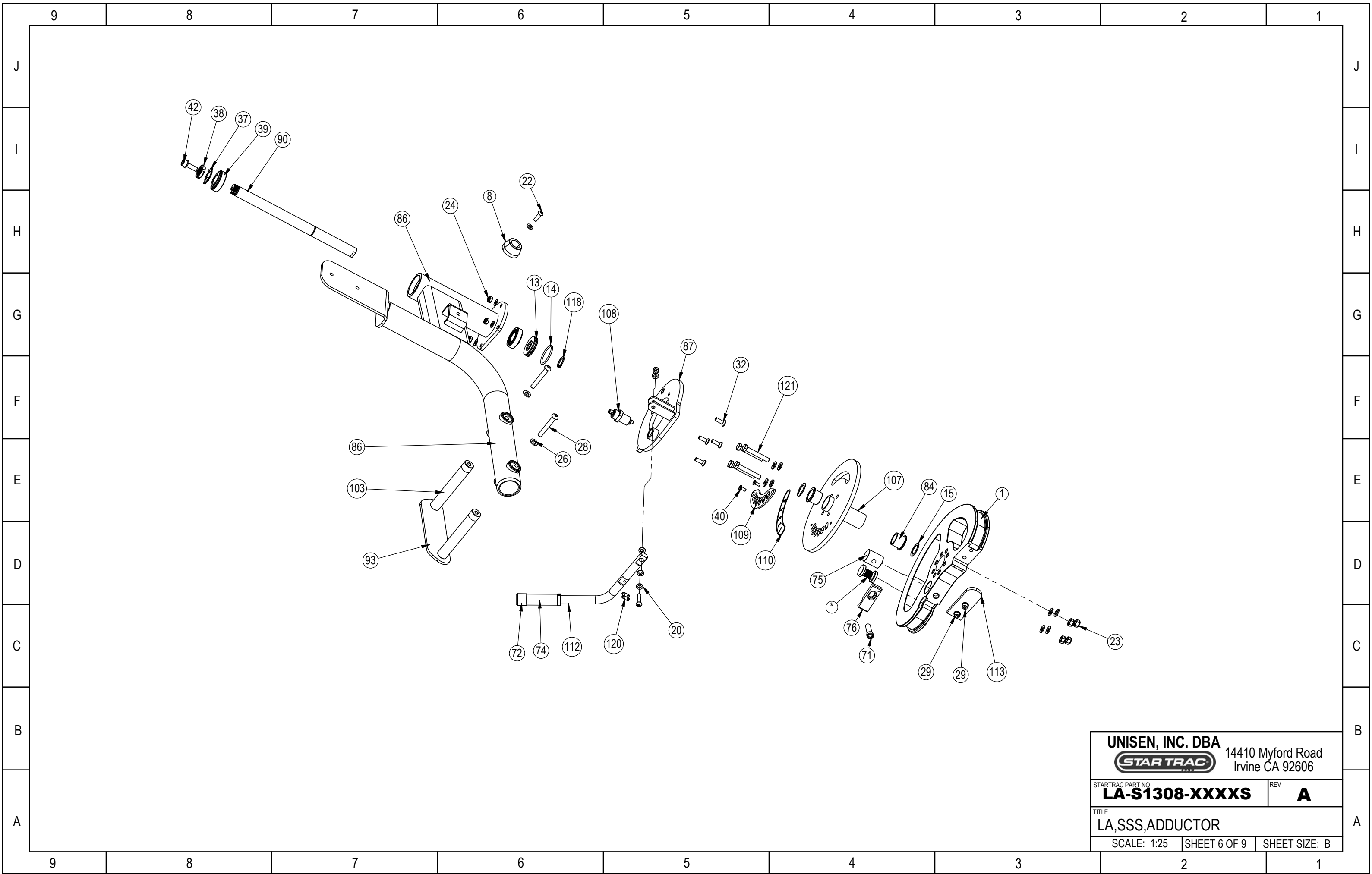
<b>UNISEN, INC. DBA</b>		14410 Myford Road Irvine CA 92606	
<b>STAR TRAC</b>			
STARTRAC PART NO	<b>LA-S1308-XXXXS</b>	REV	<b>A</b>
TITLE <b>LA,SSS,ADDUCTOR</b>			
SCALE: 1:25	SHEET 3 OF 9	SHEET SIZE: B	




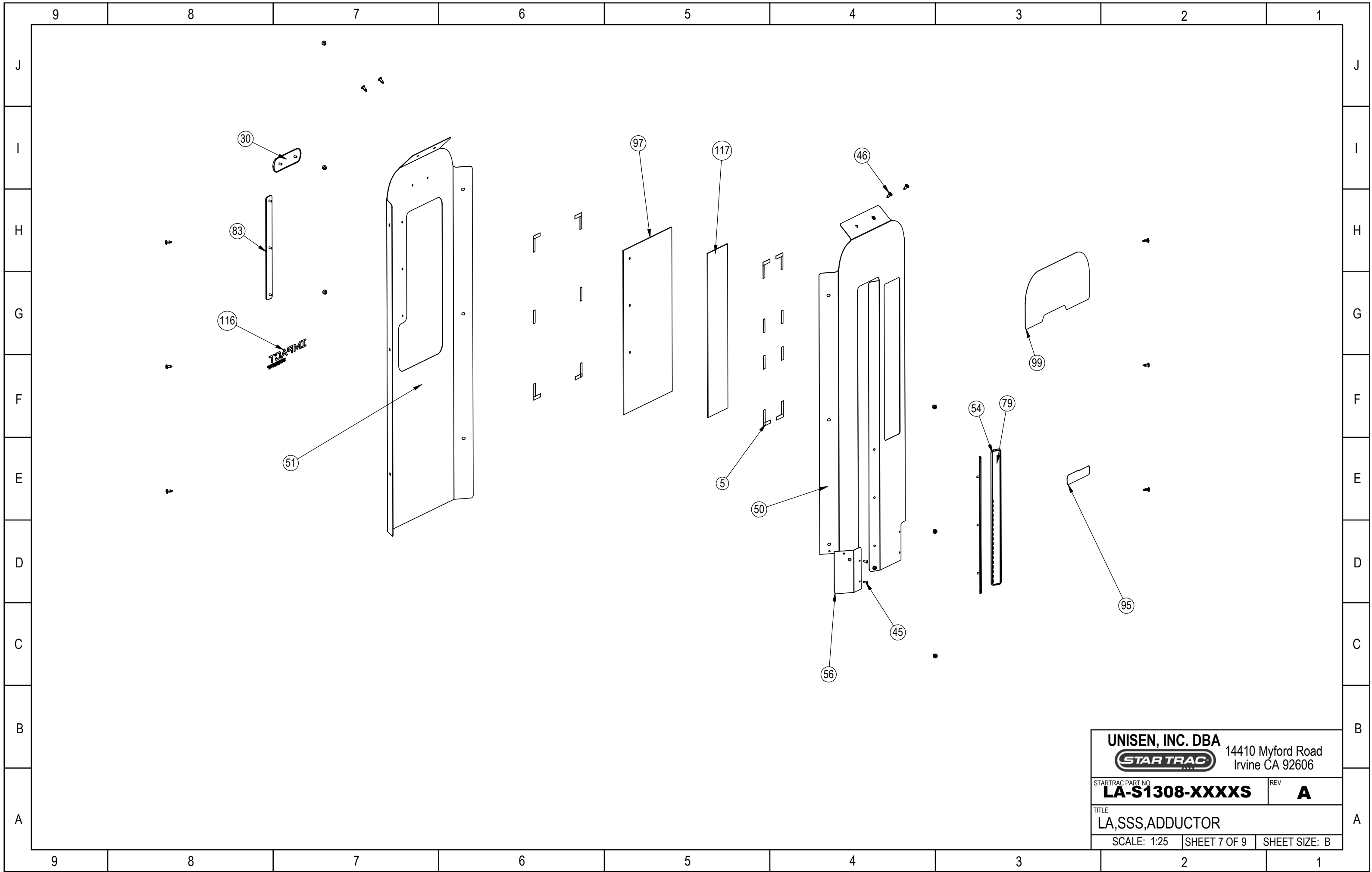
<b>UNISEN, INC. DBA</b> 		14410 Myford Road Irvine CA 92606	
STARTRAC PART NO <b>LA-S1308-XXXXS</b>	REV <b>A</b>		
TITLE <b>LA,SSS,ADDUCTOR</b>			
SCALE: 1:25	SHEET 4 OF 9	SHEET SIZE: B	

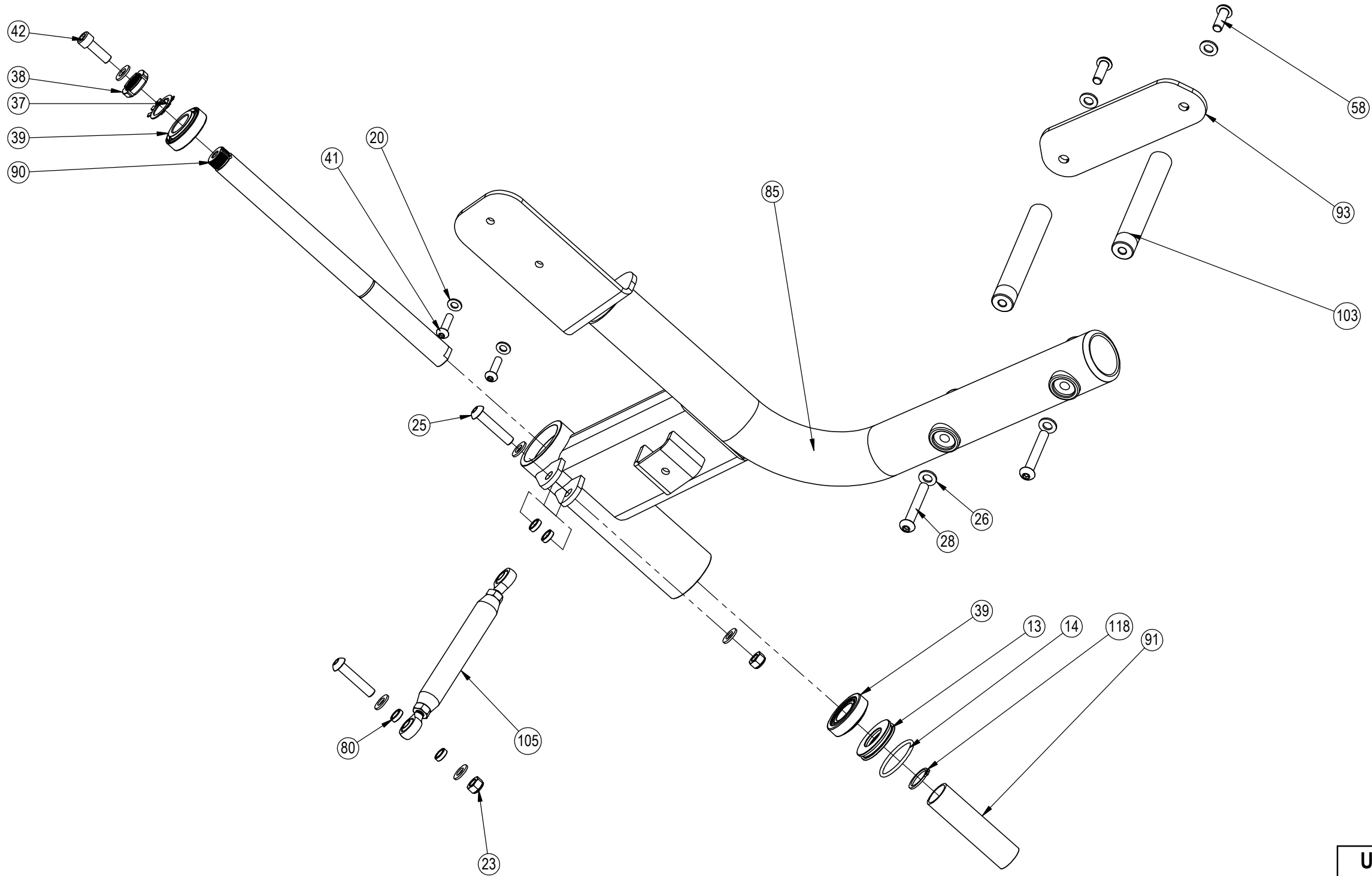



<b>UNISEN, INC. DBA</b> 		14410 Myford Road Irvine CA 92606
STARTRAC PART NO <b>LA-S1308-XXXXS</b>	REV <b>A</b>	
TITLE <b>LA,SSS,ADDUCTOR</b>		
SCALE: 1:25	SHEET 5 OF 9	SHEET SIZE: B



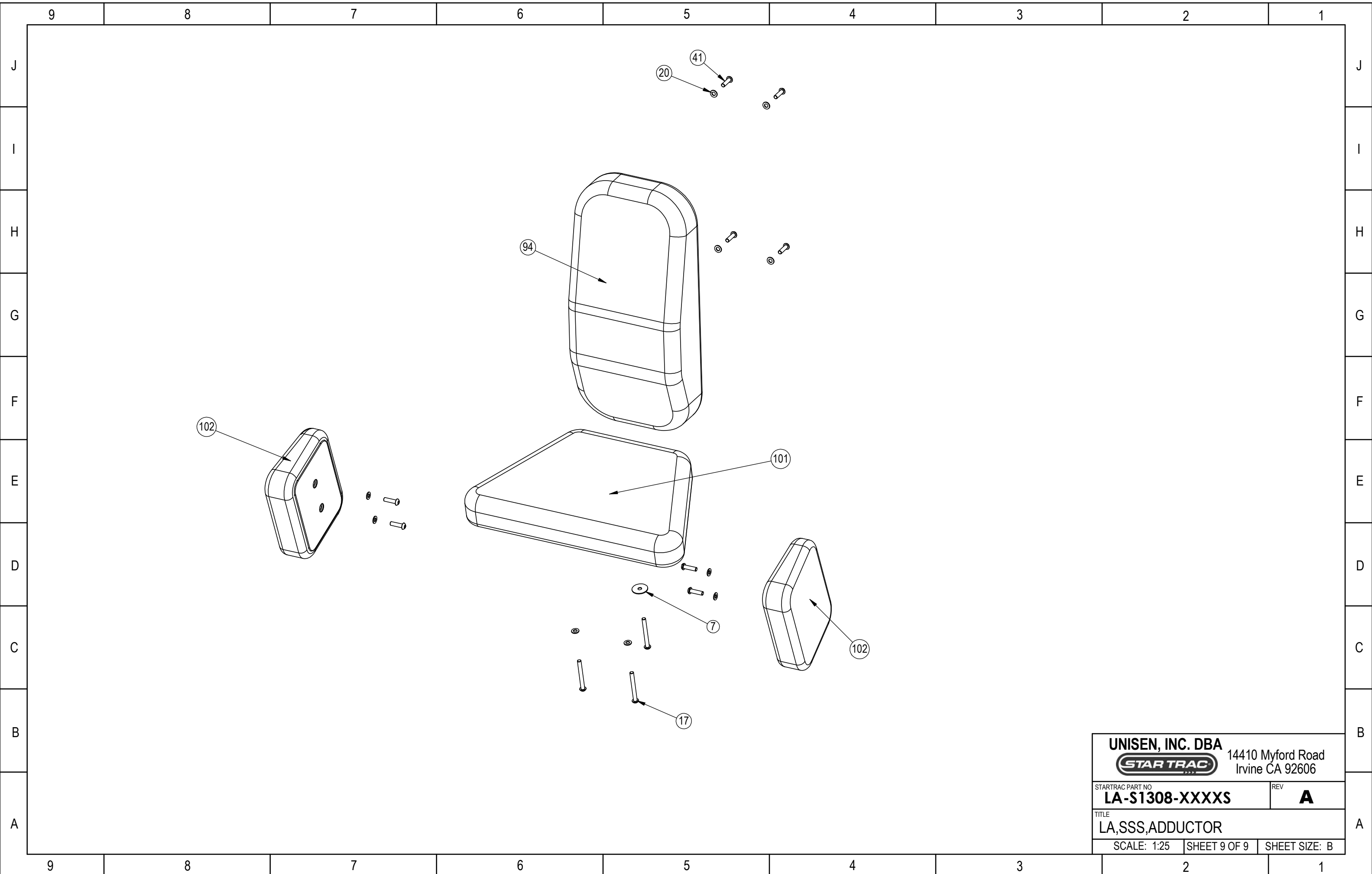
<b>UNISEN, INC. DBA</b> 		14410 Myford Road Irvine CA 92606	
STARTRAC PART NO <b>LA-S1308-XXXXS</b>		REV <b>A</b>	
TITLE <b>LA,SSS,ADDUCTOR</b>			
SCALE: 1:25		SHEET 6 OF 9	SHEET SIZE: B





<b>UNISEN, INC. DBA</b> 		14410 Myford Road Irvine CA 92606	
STARTRAC PART NO <b>LA-S1308-XXXXS</b>		REV <b>A</b>	
TITLE <b>LA,SSS,ADDUCTOR</b>			
SCALE: 1:25		SHEET 8 OF 9	SHEET SIZE: B





UNISEN, INC. DBA  
**STAR TRAC** 14410 Myford Road  
 Irvine CA 92606

STARTRAC PART NO  
**LA-S1308-XXXXS** REV **A**

TITLE  
**LA,SSS,ADDUCTOR**

SCALE: 1:25 SHEET 9 OF 9 SHEET SIZE: B