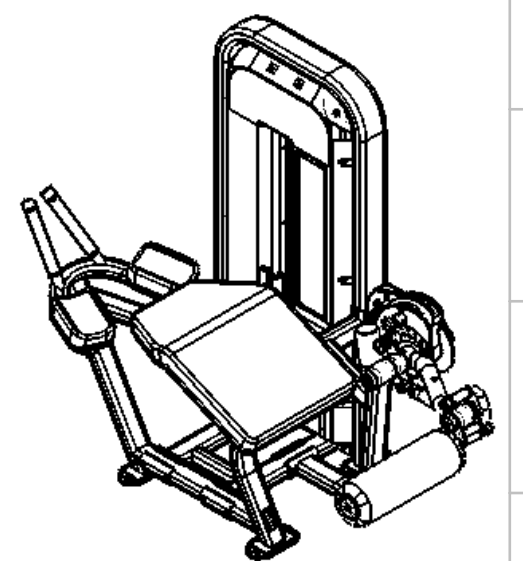
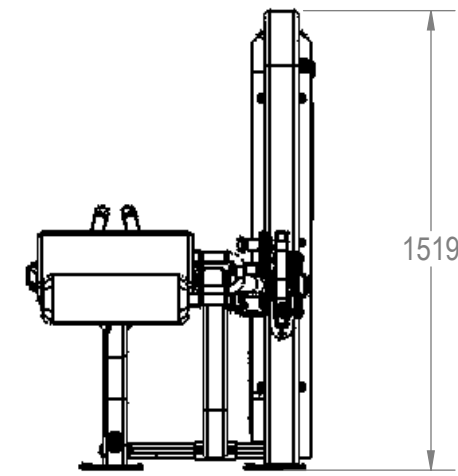
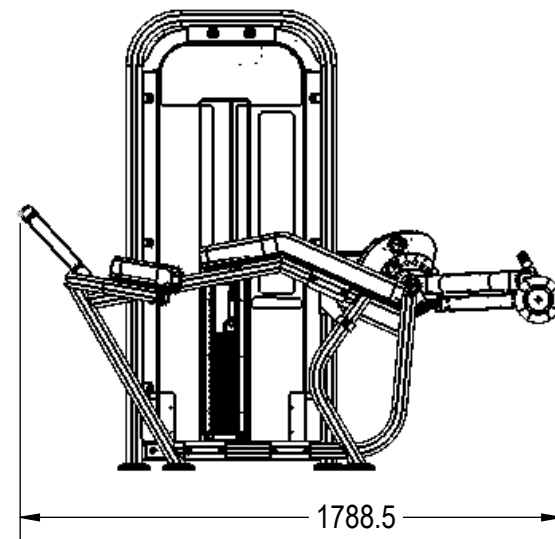
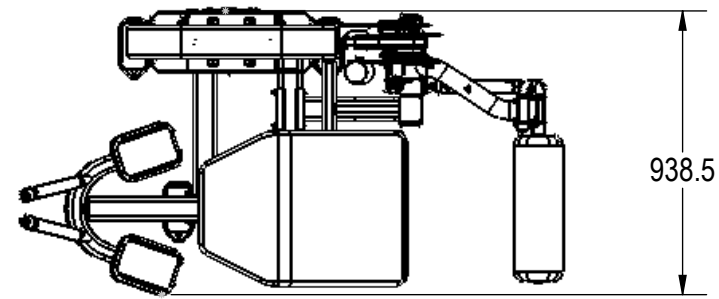


REVISION HISTORY				
REV	DATE	DESCRIPTION	ECO	BY
A	12/1/2011	RELEASE FOR PRODUCTION AT LAND AMERICA	----	LA
B	4/25/2012	UPDATE COMPONENTS WITHIN THE MACHINE.	13672	CLK



NOTICE OF PROPRIETARY INFORMATION
 THIS DOCUMENT SHALL NOT BE REPRODUCED NOR SHALL THE INFORMATION CONTAINED HEREIN BE USED BY OR DISCLOSED TO OTHER EXCEPT AS EXPRESSLY AUTHORIZED BY CORE INDUSTRIES, INC., D.B.A. STAR TRAC.

DOCUMENT STATUS:

NOTES:

CLASS OF WORK	UNLESS OTHERWISE SPECIFIED DIMS ARE IN mm. TOLERANCES FOR MEASURE OF LENGTH ARE:							ANGLES = ±2°
	0.5 to 3	> 3 to 6	> 6 to 30	> 30 to 120	> 120 to 400	> 400 to 1000	> 1000 to 2000	
FINE	±0.05	±0.05	±0.1	±0.15	±0.2	±0.3	±0.5	----
MEDIUM X	±0.1	±0.1	±0.2	±0.3	±0.5	±0.8	±1.2	±2
COARSE	±0.2	±0.3	±0.5	±0.8	±1.2	±2	±3	±4
VERY COARSE	----	±0.5	±1	±1.5	±2.5	±4	±6	±8

MATERIAL
SEE BOM

FINISH
N/A

VENDOR: N/A

P/N: N/A

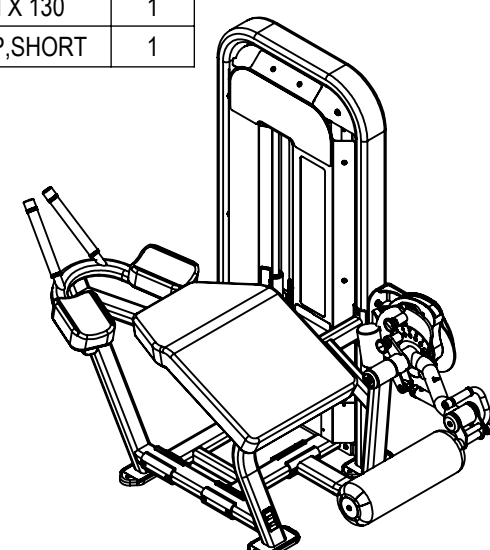
THIRD ANGLE PROJECTION



DRAWN	INITIAL CLK	DATE 4/12/2012
CHECKED		
APPROVED		
	U.O.M.	MM

CORE INDUSTRIES, INC. DBA STAR TRAC 14410 Myford Road Irvine CA 92606	
STARTRAC PART NO LA-1301-XXXXS	REV B
TITLE LA, SSS, LEG CURL	
SCALE: 1:25	SHEET 1 OF 9 SHEET SIZE: B

9		8		7		6		5		4		3		2		1	
	ITEM NO.	PART NUMBER	DESCRIPTION	QTY.		ITEM NO.	PART NUMBER	DESCRIPTION	QTY.		ITEM NO.	PART NUMBER	DESCRIPTION	QTY.			
J	1	3500-0103	ASSY,UP.,ROLLER PAD,6X18 1/2 LG	1		46	731-1778	SCREW,M10 X 1.5,55MM,BHC,HK	1		91	731-3532	PASS THROUGH ASSY,1301	1			J
	2	3500-0166	ASSY,UPHOLSTERY,S1311	2		47	731-1904	END CAP	2		92	731-3536	ASSY,WGT FRAME,1301	1			
	3	3500-0170	ASSY,UPHOLSTERY,S1301	1		48	731-1917	TRIM RING,GRIP	4		93	731-3537	GUIDE RODE,Ø22MM X 1248MM	2			
	4	4800-0001	BELT, 1301	114		49	731-1932	RIVET,5MM	16		94	731-3538	STICKER,NAME,LEG CURL	1			
	5	4900-0072	CAM, VRC-6	1		50	731-1933	RIVET, PUSH TYPE	18		95	731-3539	ROM PIVOT ASSY	1			
I	6	4900-0440	PULLEY,BELT,4.75D,3/8B,1.5W,MOLDED	1		51	731-2614	BALL JOINT, MALE, LEVERAGE	2		96	731-3540	PIN,BELT CLAMP	1			I
	7	4900-0620	PULLEY,BELT,4.75D,3/8B,1.74W,MOLDED	2		52	731-2616	NUT,JAM,M16X2.0	2		97	731-3541	CLIP,BELT CLAMP PIN	2			
	8	4900-0626	TAPE, 3M VHB 5925	1100		53	731-2622	BAR,BUSHING,MISS-ALIGNMENT	4		98	731-3542	SCREW,M12 X 1.75,50mm,SHC,HK,CS,N	1			
	9	731-0033	NUT, RIVET,M8 X 1.25	3		54	731-2647	FOOT,LONG,LEVERAGE	4		99	731-3543	MACHINE BUSHING, 25X1.25	6			
H	10	731-0034	WASHER,M8,34MM OD,1.5MM THK	1	(B)	55	731-3109	SHROUD,INSIDE,TALL,IMP	1		100	731-3545	END CAP,19MM TUBE	1			H
	11	731-0113	ASSY,2.5Kg,ADD ON	1		56	731-3111	SHROUD,OUTSIDE,SHORT,IMP	1		101	731-3546	TRIM RING,19MM TUBE	2			
	12	731-0120	SCREW, M8 X 1.25, 20MM, FHM,HK	1		57	731-3113	BRKT,SHROUD,IMP	6		102	731-3547	GRIP,1301,19MM	1			
	13	731-0121	ASSY,STOP,ADD ON	1		58	731-3114	BRKT, SHROUD, UPPER,IMP	2		103	731-3548	GRIP,1301,25MM	2			
	14	731-0124	CAP,GUIDE ROD,RUBBER	2		59	731-3115	HOUSING,PLASTIC,WGT STACK,IMP	2		104	731-3549	CLAMSHELL,44.5MM SHORT	1			
G	15	731-0137	BEARING,52 OD,25 ID,X 15MM	10		60	731-3116	BRKT,MOUNT,LOWER,INCR CHNL,IMP	1		105	731-3551	PIN,CAM,BELT CLAMP	1			G
	16	731-0169	SCREW, M8X1.25,20MM, BHC, HK	7		61	731-3117	COVER,SHROUD,LEFT,IMP	1		106	731-3552	CLAMP,CAM,BELT CLAMP	1			
	17	731-0203	SHAFT, Ø20mm X 87mm, D CUT	1		62	731-3118	COVER,SHROUD,RIGHT, IMP	1		107	731-3553	WRAP PIN,BELT CLAMP	1			
(B)	18	731-0312	CAP, END, 65MM	1		63	731-3122	Brkt,mount,upper,increm. channel,IMP	1		108	731-3554	SCREW,M6X1.0,35MM,BHC,HK	3			
	19	731-0354	SCREW,M8 X 1.25,25MM,HHM,HE	6		64	731-3323	STICKER,IMP,130 KG	1		109	731-3662	CAP,TUBE,44.5 X 50.8	2			
F	20	731-0355	WASHER,PLAIN,M8,NARROW	53		65	731-3324	WELD,ADD ON,SHORT,IMP	2		110	731-3874	HOUSING,WGT FRAME,NAME,SHORT	1			F
	21	731-0359	SCREW,M8 X 1.25,25mm,BHC,HK	2		66	731-3391	BELT CLAMP BODY	1		111	731-4780	STICKER,LOCK N LOAD,IMPACT	1			
	22	731-0362	SCREW,M10 X 1.5,45MM,BHC,HK	1		67	731-3392	PLATE,THREADED,BELT CLAMP	1		112	731-4882	WINDOW,IMP,SHORT	1			
	23	731-0363	NUT,M10X1.5,NYLOC	5		68	731-3393	BELT CLAMP PLATE	2		113	731-4946	PLACARD,IMPACT,LEG CURL	1			
	24	731-0365	NUT,M8 X 1.25,NYLOC JAM	20		69	731-3396	SHROUD CENTER SUPPORT	1	(B)	114	731-5161	STICKER, IMPACT STRENGTH	1			
E	25	731-0367	WASHER,PLAIN,M10	15		70	731-3415	ASSY,WGT STK,90KG	1		115	731-5166	COUNTERBALANCE, 75MM X 130	1			E
	26	731-0370	SCREW,M8 X 1.25,65mm,BHC,HK	4		71	731-3470	MAIN FRAME,1301	1	(B)	116	731-5217	WINDOW,INSIDE,IMPACT,IMP,SHORT	1			
	27	731-0371	SCREW,M10 X 1.5,70MM,BHC,HK	6		72	731-3479	WF CONNECTOR,1301	1								
	28	731-0373	WASHER,PLAIN,M6	10		73	731-3483	BRG SUPPORT ASSY	1								
D	29	731-0379	SCREW,M8 X1.25,20mm,SHC,HK	4		74	731-3489	MOVEMENT ARM ASSY,1301	1								D
	30	731-0381	HOUSING,LOGO,STARTRAC	1		75	731-3494	ROLLER MOUNT ASSY	1								
	31	731-0390	SCREW,M8 X 1.25,25mm,SHC,HK	3		76	731-3503	CAM MOUNT ASSY,1301	1								
	32	731-0395	STOP, BUMP, OVER SCREW	2		77	731-3507	TIE ROD ASSY,1301	1								
	33	731-0397	SCREW,M8 X 1.25,25mm,FHM,HK	3		78	731-3509	ROTATION LIMIT ASSY	1								
C	34	731-0421	SCREW, M8 X 1.25, 30MM, SHC, HK, CS	2		79	731-3513	BRG MOUNT ASSY	1								C
	35	731-0512	STICKER,WARNING,PINCH	1		80	731-3519	WEAR PLATE, 3 POSITION	1								
	36	731-0513	STICKER,STAR TRAC,DECO,45MMX191MM	1		81	731-3520	WEAR PLATE,6 POSITION	1								
	37	731-0517	STICKER, WARNING, BOLT DOWN	1		82	731-3521	SCREW,M8 X 1.25,105mm,BHC,HK,NP	9								
	38	731-0532	SCREW,M8 X 1.25,12MM,HHM,HE	3		83	731-3522	SCREW,M8 X 1.25,110mm,BHC,HK,NP	3								
B	39	731-0561	WASHER,M8,1MM THK	4		84	731-3523	PULL PIN ASSY,12.5 X 80	2								B
(B)	40	731-0660	STICKER,AXIS/ROTATION,END CAP	1		85	731-3526	CLAMSHELL,44.5X 110 HS NO BREATHER	4								
	41	731-0705	HAT, SPACER, 25 OD X 20 ID	2		86	731-3527	LINK STOP,PLASTIC	1								
	42	731-0869	SCREW,M6 X1.0, 25mm, BHS,HK	2		87	731-3528	COVER,LINK STOP	1								
	43	731-1045	SCREW, M10X1.5, 80MM, SHC, HK, ZP	2		88	731-3529	COVER,ROLLER PAD,26MM HOLE	1								
A	44	731-1265	CAP,END,65MM,NO GROOVE	3		89	731-3530	COVER,ROLLER PAD,10MM HOLE	1								A
	45	731-1363	NUT, M6X1.0, NYLOC	5		90	731-3531	PLASTIC SPACER,25MM	1								

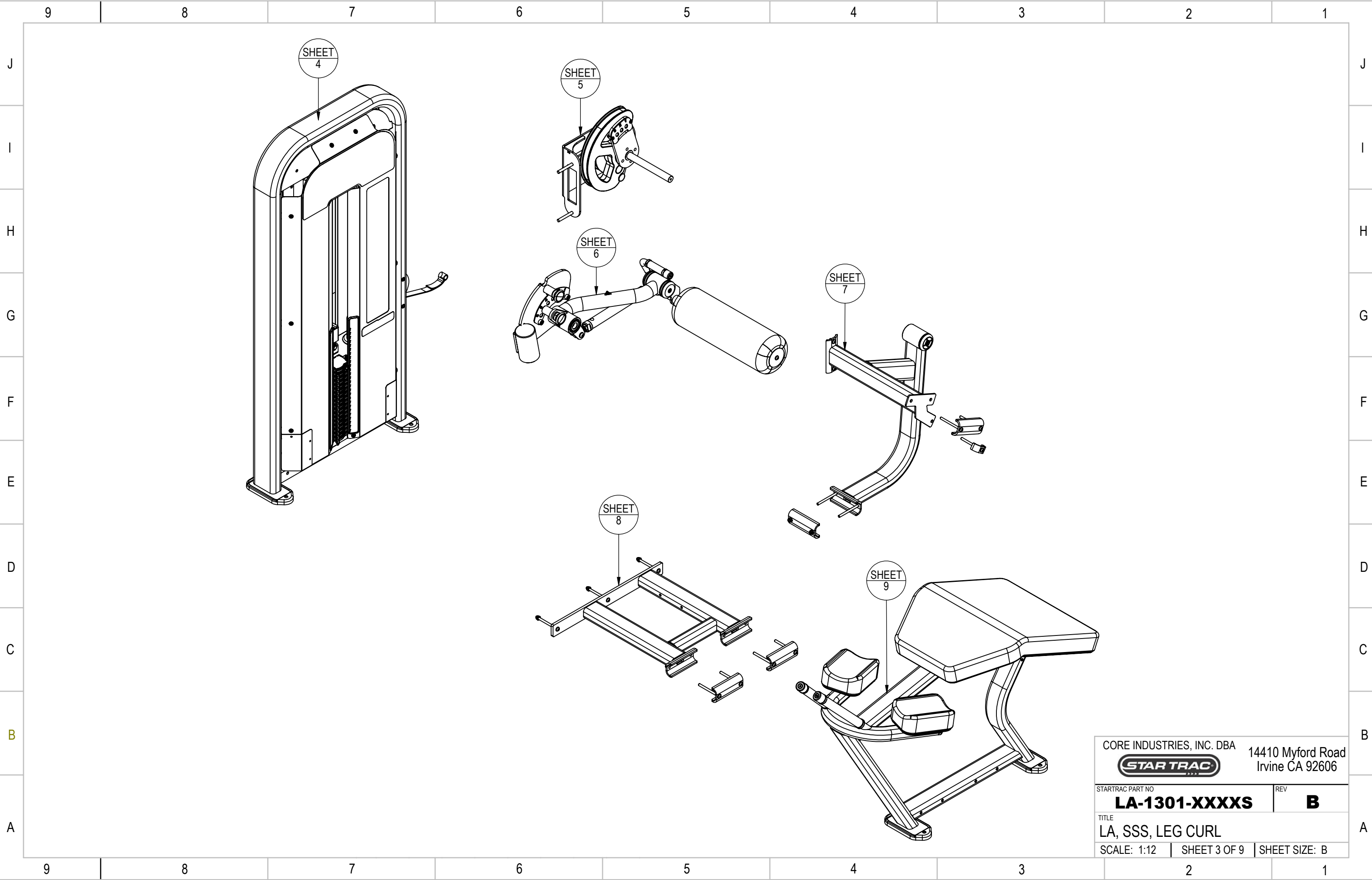


CORE INDUSTRIES, INC. DBA **STARTRAC** 14410 Myford Road
Irvine CA 92606

STARTRAC PART NO **LA-1301-XXXXS** REV **B**

TITLE **LA, SSS, LEG CURL**

SCALE: 1:25 | SHEET 2 OF 9 | SHEET SIZE: B

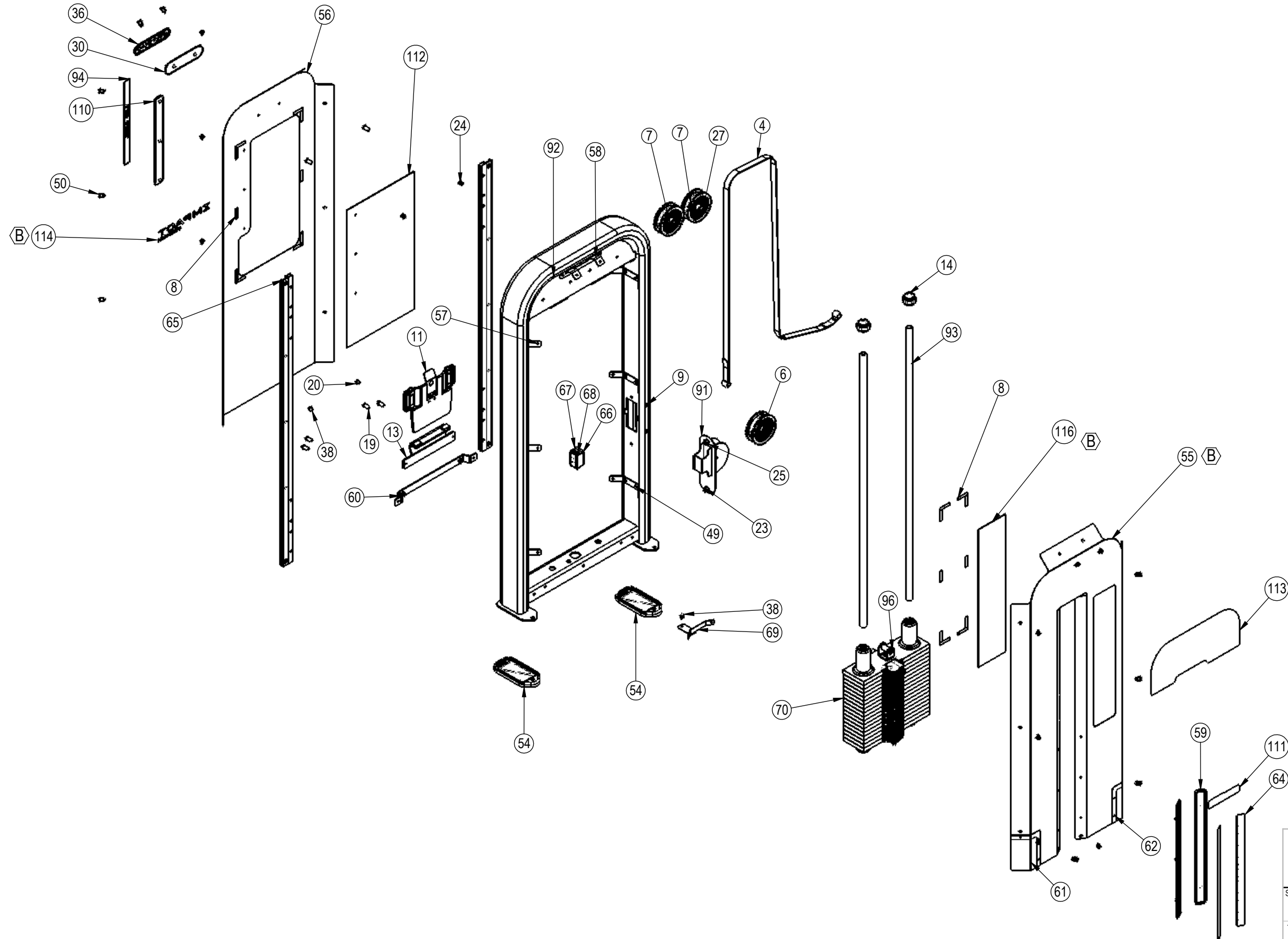


CORE INDUSTRIES, INC. DBA **STAR TRAC** 14410 Myford Road
Irvine CA 92606

STARTRAC PART NO	REV
LA-1301-XXXXS	B
TITLE	
LA, SSS, LEG CURL	
SCALE: 1:12	SHEET 3 OF 9 SHEET SIZE: B

9 8 7 6 5 4 3 2 1

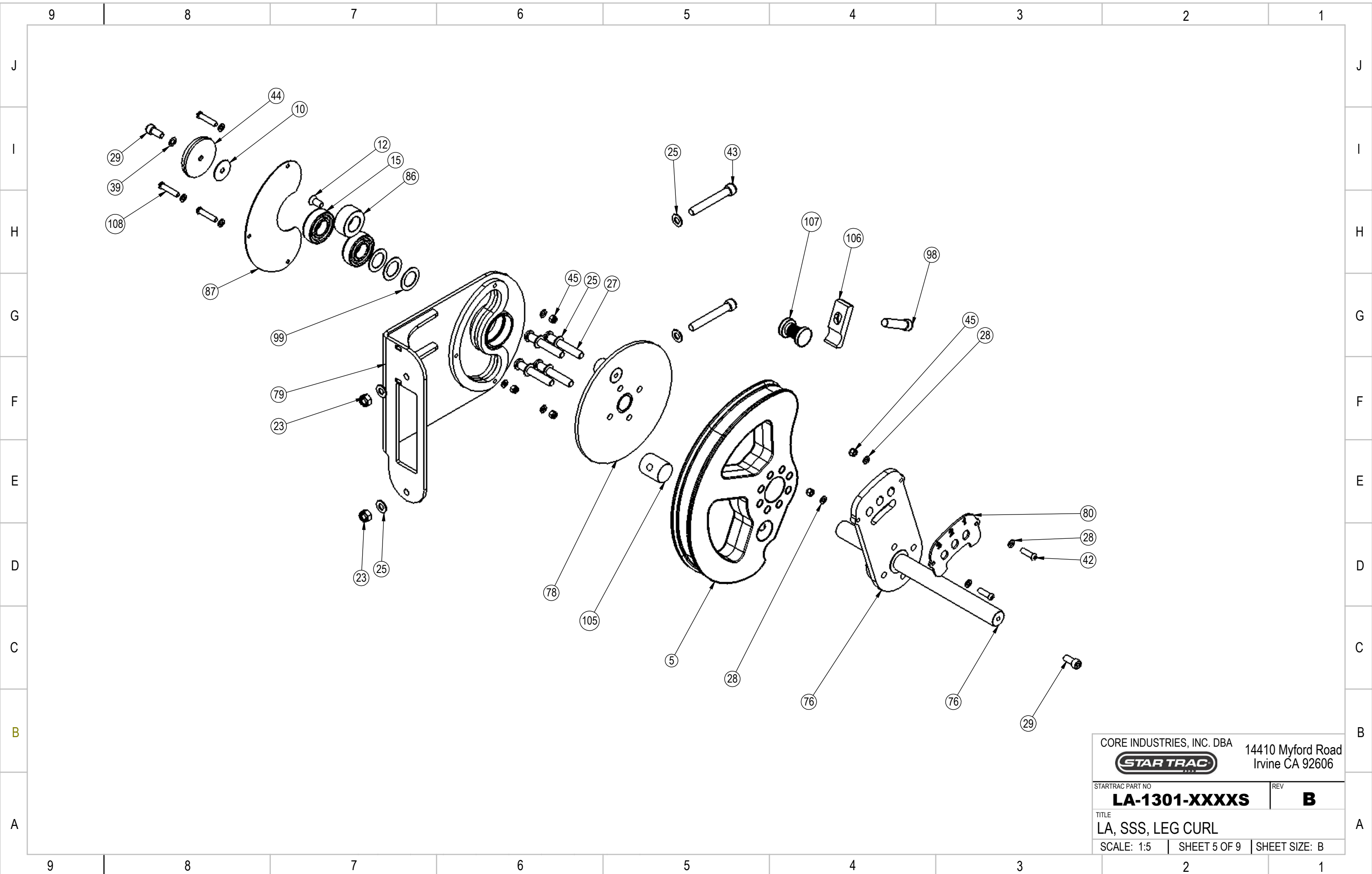
J
I
H
G
F
E
D
C
B
A



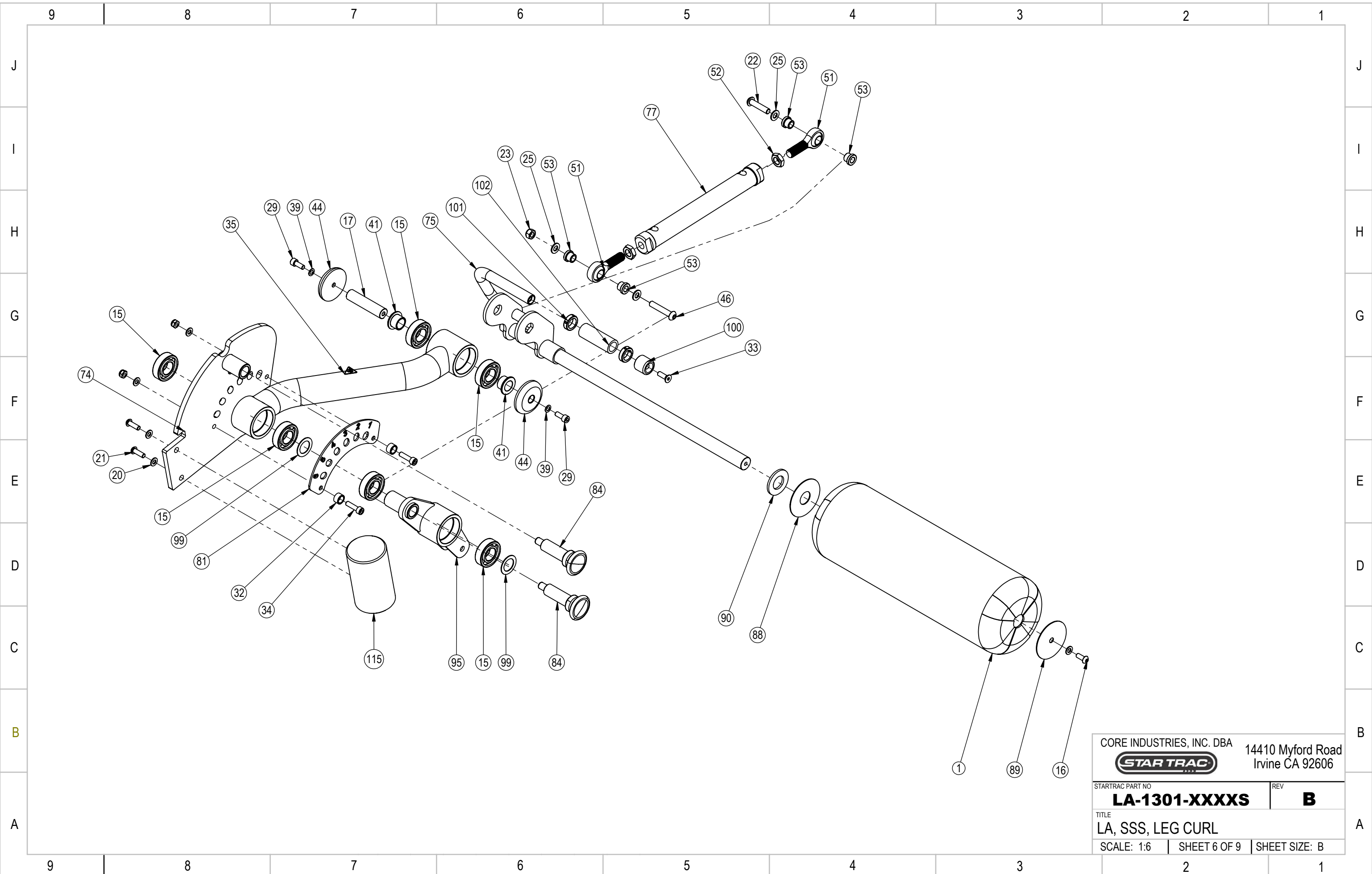
CORE INDUSTRIES, INC. DBA **STARTRAC** 14410 Myford Road
Irvine CA 92606

STARTRAC PART NO	REV
LA-1301-XXXXS	B
TITLE	
LA, SSS, LEG CURL	
SCALE: 1:15	SHEET 4 OF 9 SHEET SIZE: B

9 8 7 6 5 4 3 2 1

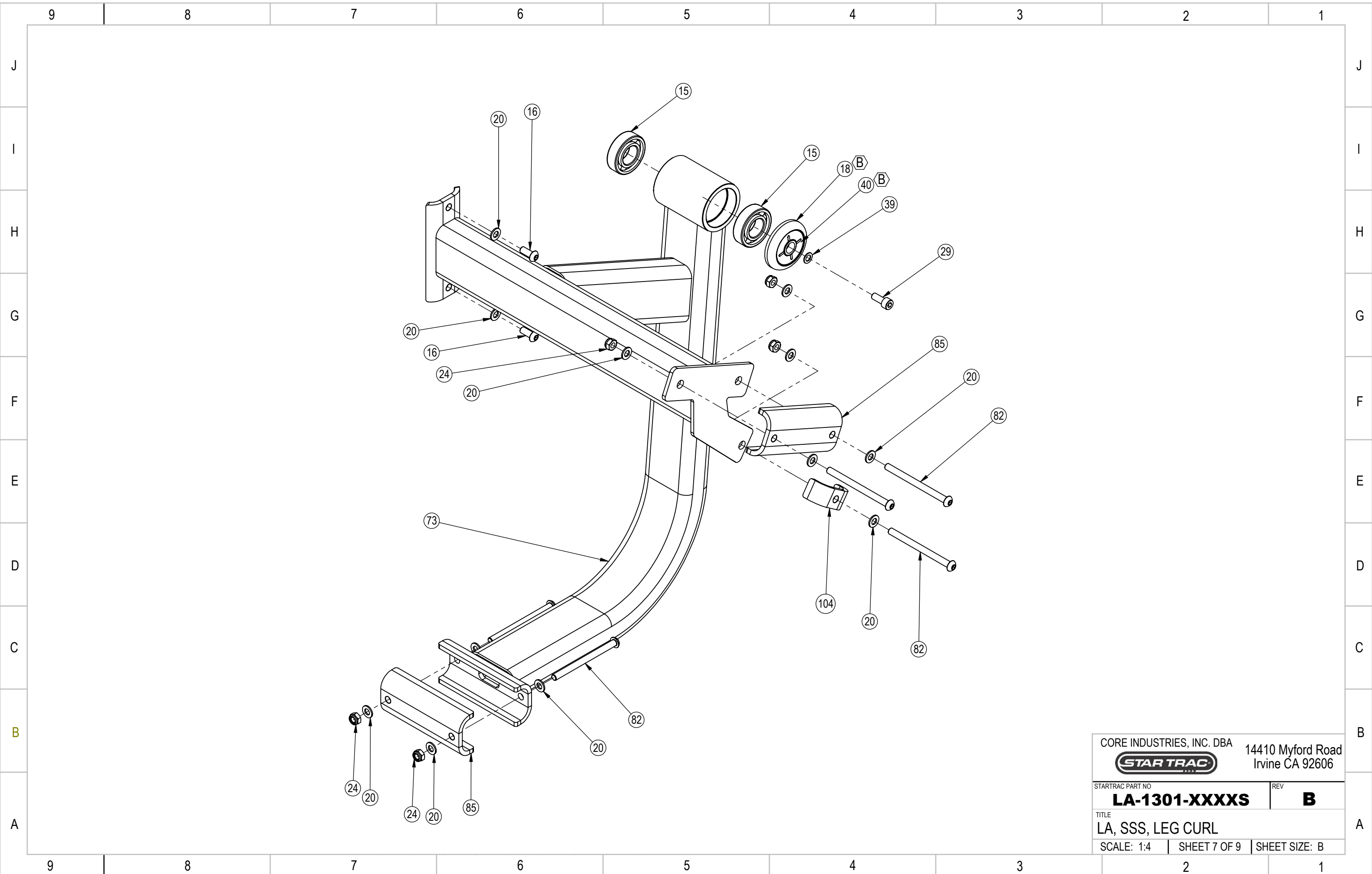


CORE INDUSTRIES, INC. DBA		14410 Myford Road Irvine CA 92606	
STARTRAC			
STARTRAC PART NO	LA-1301-XXXXS		REV B
TITLE LA, SSS, LEG CURL			
SCALE: 1:5	SHEET 5 OF 9	SHEET SIZE: B	



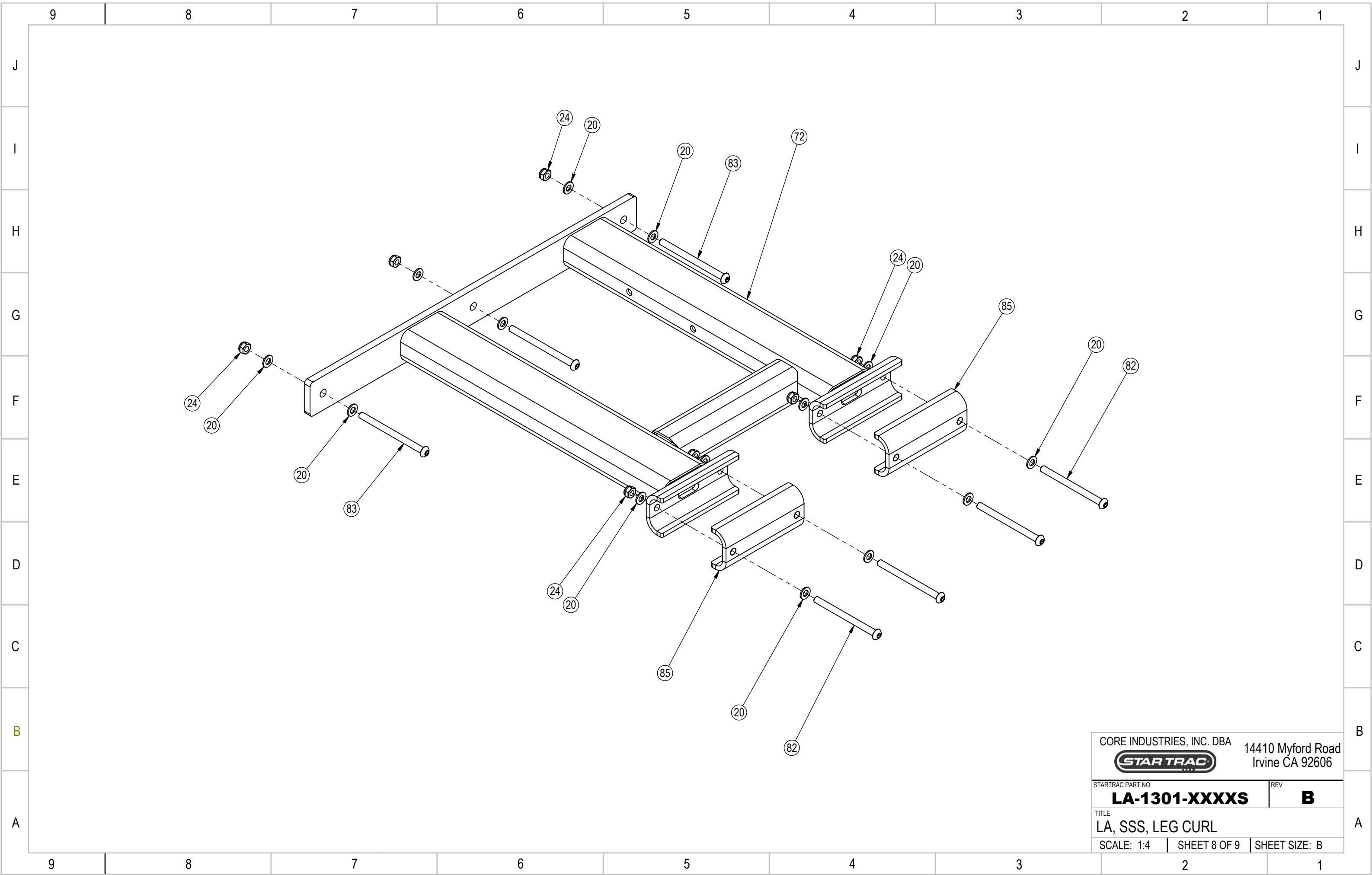
CORE INDUSTRIES, INC. DBA **STARTRAC** 14410 Myford Road
Irvine CA 92606

STARTRAC PART NO	REV
LA-1301-XXXXS	B
TITLE	
LA, SSS, LEG CURL	
SCALE: 1:6	SHEET 6 OF 9 SHEET SIZE: B



CORE INDUSTRIES, INC. DBA **STARTRAC** 14410 Myford Road
Irvine CA 92606

STARTRAC PART NO	REV
LA-1301-XXXXS	B
TITLE	
LA, SSS, LEG CURL	
SCALE: 1:4	SHEET 7 OF 9 SHEET SIZE: B

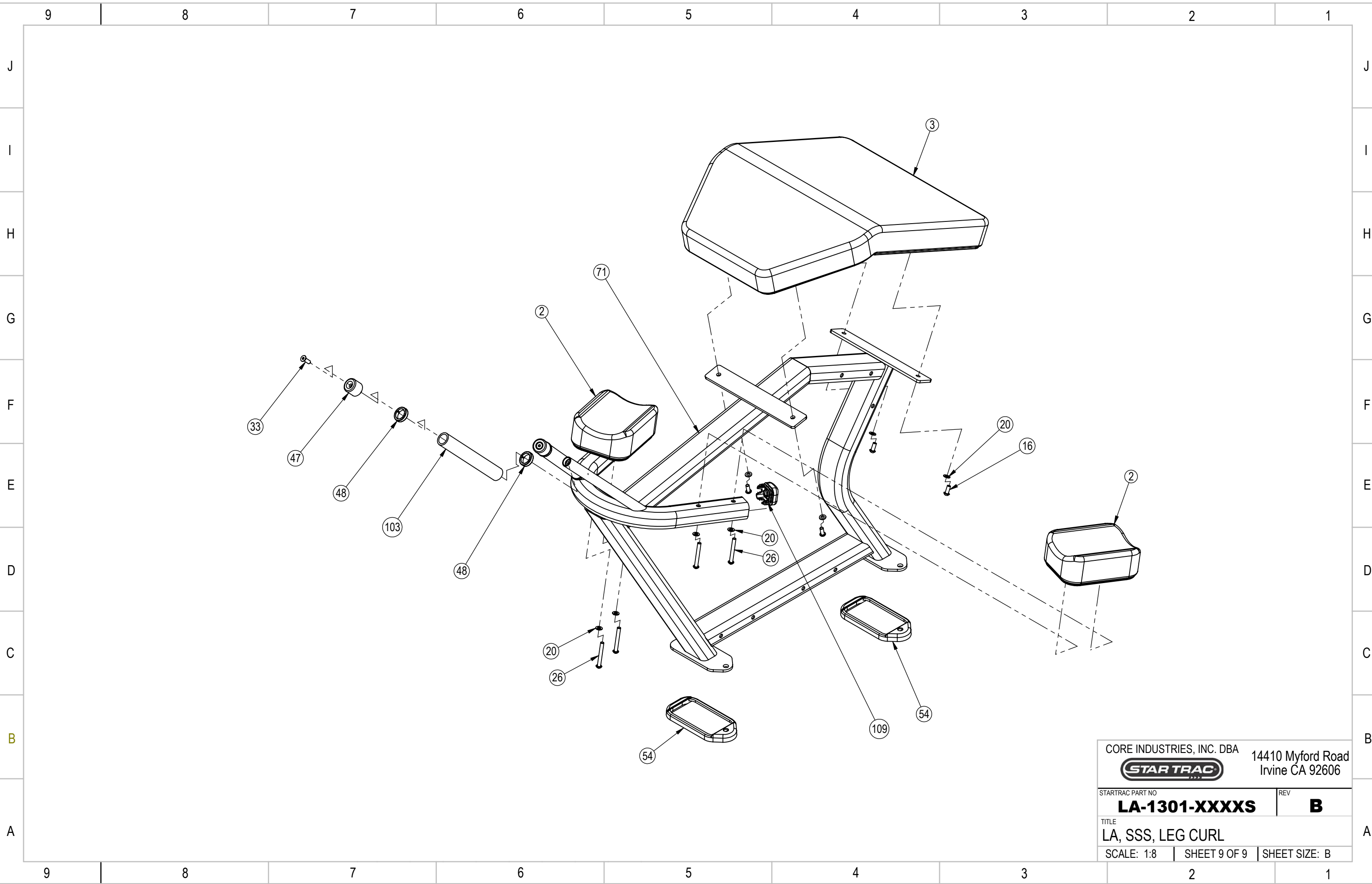


CORE INDUSTRIES, INC. DBA **STARTRAC** 14410 Myford Road
Irvine CA 92606

STARTRAC PART NO. **LA-1301-XXXXS** REV **B**

TITLE
LA, SSS, LEG CURL

SCALE: 1:4 | SHEET 8 OF 9 | SHEET SIZE: B



CORE INDUSTRIES, INC. DBA **STAR TRAC** 14410 Myford Road
Irvine CA 92606

STARTRAC PART NO	REV
LA-1301-XXXXS	B
TITLE	
LA, SSS, LEG CURL	
SCALE: 1:8	SHEET 9 OF 9 SHEET SIZE: B