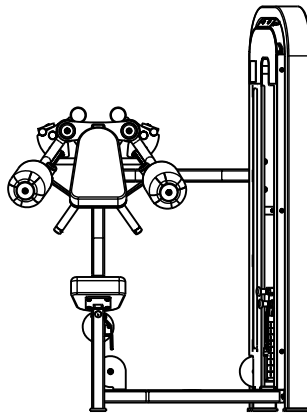
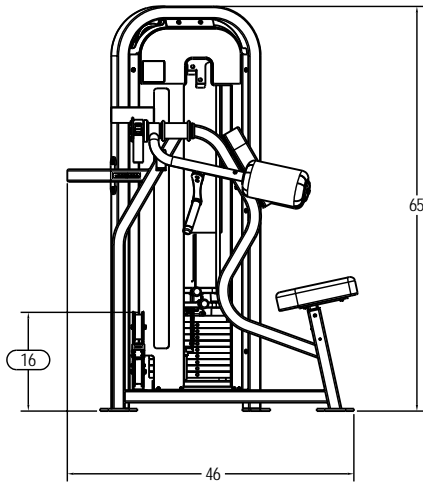
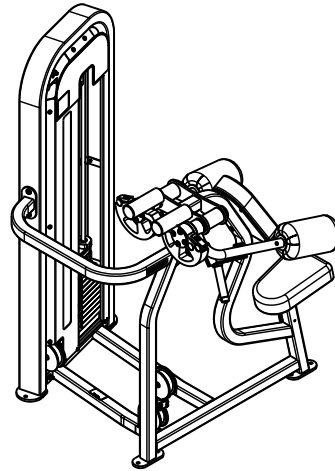
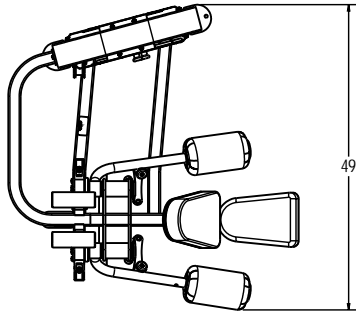


REVISION HISTORY				
REV	DATE	DESCRIPTION	ECO	BY
A		PRODUCTION RELEASE		SLS

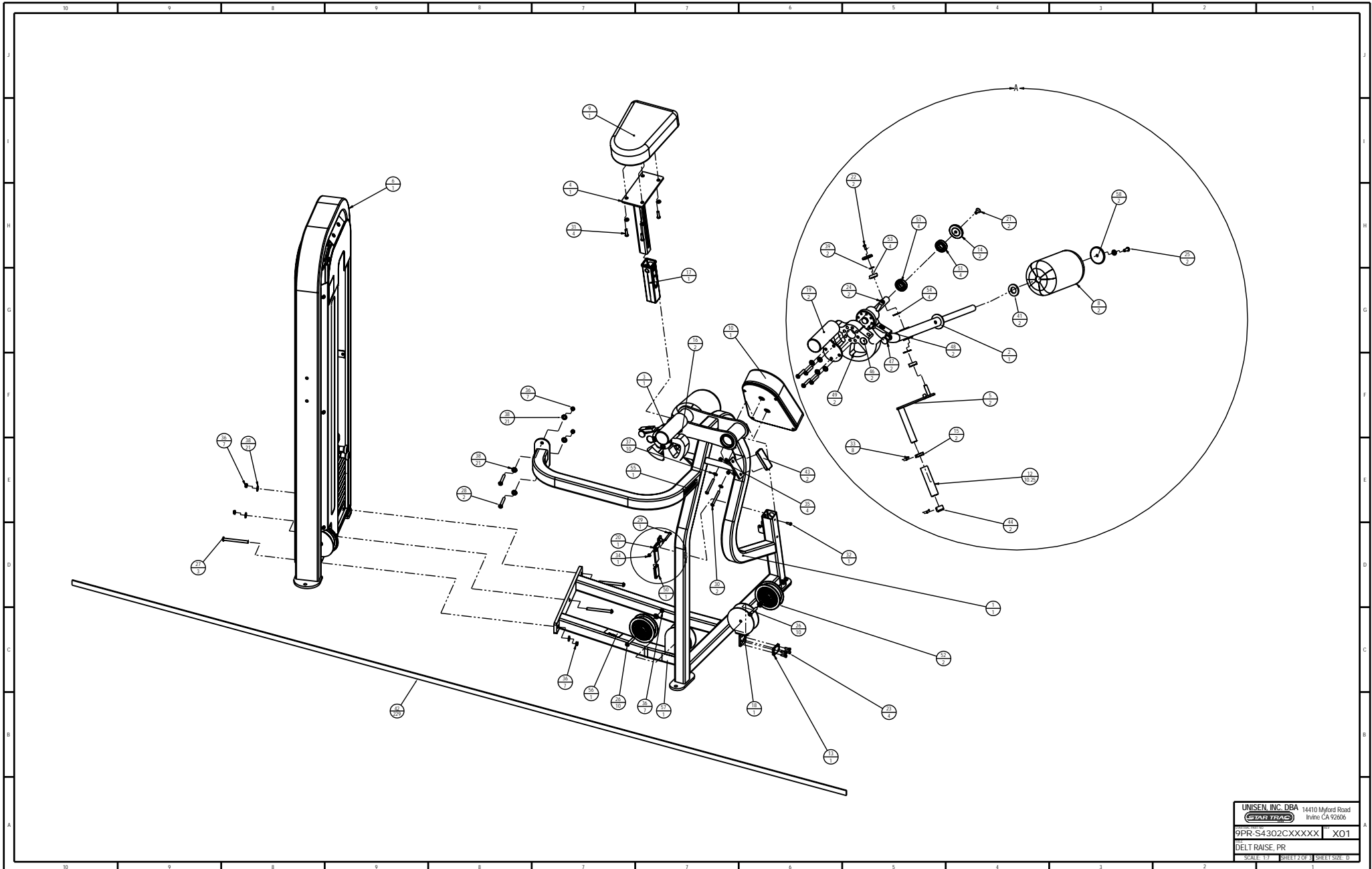


ITEM NO	PART NUMBER	DESCRIPTION	QTY
1	3211-0151	DELT RAISE MAIN FRAME	1
2	3211-0152	DELT RAISE ARM	1
3	3211-0169	DELT RAISE ARM SIDE B	1
4	3210-0108	ASSY_WELD_SEAT	1
5	3211-0209	ASSY_WELD_GRIP_HANDLE_S4302	2
6	3311-0291	ASSY_MECH_WT_FRAME_S4302_PFR	1
7	4900-PR1X	POWER COAT_TID	151 LBS
8	3500-0021	ASSY_UP_ROLLER_PAD_5.70X10X1.6	1
9	3500-0083	ASSY_UPHOLSTRY_13.25W FS-402-A	1
10	3500-0087	ASSY_UPHOLSTRY_8.78X13.18L_FBR-716-B	1
11	4900-UP1X	UPHOLSTRY_TID	1.0 LBR YDS
12	1400-0001	DELT RAISE GRIP	10.25
13	2120-0154	PLATE_BELT_CLAMP_1/4_BC-002	1
14	2120-3836	CAP_BEARING_2 1/2 RND ALUM	2
15	2120-3848	RING_HANDLE_1"	2
16	2120-3887	CAP_BEARING_1 3/4 RND ALUM	2
17	2210-0009	BUSHING_SEAT_POST	1
18	3211-0149	ASSY_WELD_INLINE_PULLEY_CONNECT	1
19	3211-0168	DELT_C/BALANCE	2
20	3290-0001	ASSY_WELDMENT_HANDLE	1
21	4210-0030	FHSCS_3/8-16 X 3/16 BRIGHT_Z	2
22	4210-0031	FHSCS_1/4-20 X 7/8 BRIGHT_Z	2
23	4220-0004	SHCS_1/4-20 X 3/4L	4
24	4220-0025	SHCS_3/8-16 X 1.75 L_Z	2
25	4230-0050	BHSCS_3/8-16 X 1 BRIGHT_Z	2
26	4230-0057	BHSCS_3/8 X 2 1/4 BRIGHT_Z	10
27	4230-0059	BHSCS_3/8-16 X 4 1/4 BRIGHT_Z	3
28	4230-0060	BHSCS_3/8-16 X 3 3/4 BRIGHT_Z	2
29	4230-0069	BHSCS_1/4-20 X 1 3/4 BRIGHT_Z	1
30	4230-0080	BHSCS_5/16-18 X 2 3/4 BRIGHT_Z	2
31	4230-0085	BHSCS_5/16-18 X 1 1/4 BRIGHT_Z	4
32	4230-0093	BHSCS_1/4-20 X 3/4 BRIGHT_Z	1
33	4250-0001	SSS_10-32 X 1/8_BLK	8
34	4500-0038	NUT_JAM_1/4-20_Z	1
35	4500-0036	NUT_NYLOC_5/16-18_NE_Z	4
36	4500-0029	NUT_NYLOC_JAM_3/8-16_Z	7
37	4600-0007	WASHER_SAE_5/16_Z	10
38	4600-0009	WASHER_SAE_3/8-16_Z	21
39	4600-0023	WASHER_FLAT_3/4_PLN	2
40	4600-0025	MACHINE_BUSHING_1" 1/8_GAGE	2
41	4600-0027	WASHER_NYLOC_2 OD_1 1/16 ID_3/16_Z	2
42	4900-0001	BELT_METAL_PFR-S4301	229
43	4900-0001	STOP_RED	2
44	4900-0005	CAP_HANDLE_1" CHROME	2
45	4900-0052	SPRING_O.D.5.115_CENTURY_921	1
46	4900-0056	PIN_PULL_CAM_BELT	2
47	4900-0057	CAM_PFR_CLAMP_CABLE	2
48	4900-0058	CLAMP_CAM_BELT	2
49	4900-0076	CAM_NYC-10	2
50	4900-0108	SLEEVE_HANDLE_RED	1
51	4900-0139	BEARING_1 ID X 2 OD_NR16-Z	4
52	4900-0440	PULLEY_BELT_4.75D_3/8B_1.5W_MOLDED	2
53	4900-0545	BEARING_5" ID X 1.375 OD_MESA_1621DC	4
54	4900-0554	BELT_RING_1.38 INT_SPIRAL	4
55	5220-0002	LABEL_SAFETY_KEEP_HANDS_SMALL	1
56	5220-0026	LABEL_SAFETY_SECURE_TO_FLOOR	1
57	5290-0001	SERIAL_NUMBER	1
58	730-0200	PLASTIC_ROLLER_WASHER	1

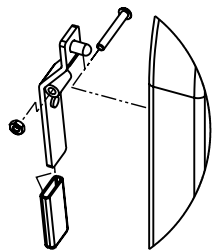
- NOTES:
1. INTERPRET DRAWING PER ASME Y14.5M-1994.
 2. REMOVE ALL BURRS AND SHARP EDGES 0.015/0.030.
 3. IF APPLICABLE, CRITICAL DIMENSIONS LABELED.
 4. ALL HARDWARE TO BE KITTED PER 3700-0356.
 5. ALL UPHOLSTRY TO BE KITTED PER 3700-0356.
 6. EST. GROSS WT. 235 LBS.
 7. LOWER WST STACK BELT 142"
 8. UPPER CAM TO CAM BELT 84"

DOCUMENT STATUS:
DEVELOPMENT

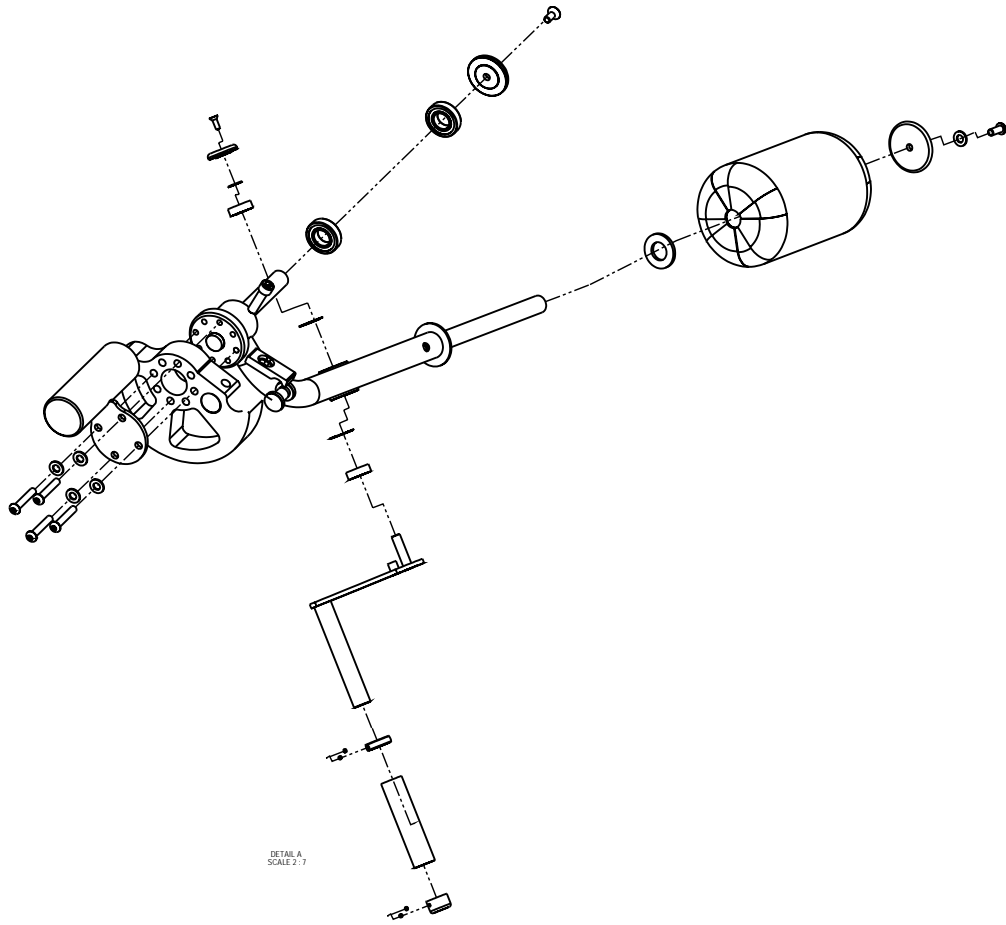
UNISEN INC. DBA 14410 Myford Road Irvine CA 92606	MATERIAL SEE BOM	FINISH N/A	DATE 10/14/2009
	PART NUMBER 9PR-S4302CXXXXX	SCALE 1:10	SHEET NO. 3



UNISEN, INC. DBA 14410 Myford Road
 STARTRAC Irvine CA 92606
 9PR-S4302CX0000 X01
 DELT RAISE, PR
 SCALE: 1:1 SHEET 2 OF 3 SHEET SIZE: D



DETAIL B
SCALE 1:2



DETAIL A
SCALE 2:7