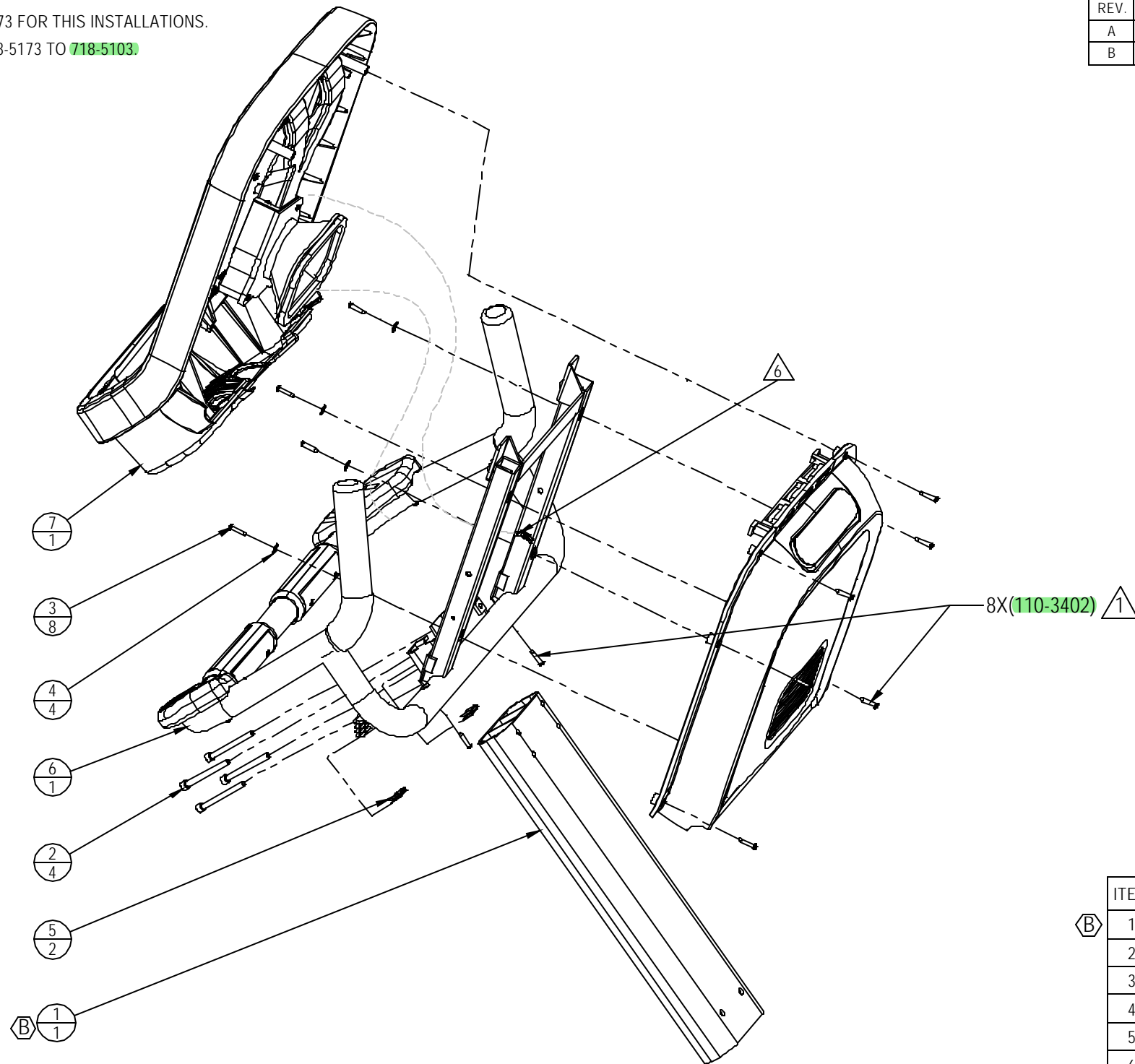


NOTES:

- 110-3402 (8) INCLUDED IN ASSEMBLY 718-5173 FOR THIS INSTALLATIONS.
- APPLY GROUND WIRE FROM ASSEMBLY 718-5173 TO 718-5103.

REVISIONS				
REV.	DATE	DESCRIPTION	ECO	BY
A	03-26-08	PRODUCTION RELEASE	11822	DN
B	07-08-09	REPLACE 020-6551-05 FOR 020-7333	12202	SCN



ITEM	PART NUMBER	DESCRIPTION	QTY
1	020-7333	MAST, E-UBe	1
2	110-3169	SCREW, M6x65, SHC, HE, ISO4762	4
3	110-3402	SCREW, M4x0.7x19L,PHT,PH,CS,BZ	8
4	120-3307	WASHER, M4, 4.3mm I.D. X 12mm O.D., ISO 7089	4
5	140-3323	U-NUT, #8, PANEL .025-.125	2
6	718-5103	ASSY, HR BAR & GRIPS, UB, VLAD	1
7	718-5173	ASSY, DISP ELEC, IPOD CUP, E-BK	1

**DOCUMENT STATUS:  
RELEASE**

NOTICE OF PROPRIETARY INFORMATION

THIS DOCUMENT SHALL NOT BE REPRODUCED NOR SHALL THE INFORMATION CONTAINED HEREIN BE USED BY OR DISCLOSED TO OTHER EXCEPT AS EXPRESSLY AUTHORIZED BY UNISEN INC., D.B.A. STAR TRAC.

CLASS OF WORK	UNLESS OTHERWISE SPECIFIED DIMS ARE IN mm. TOLERANCES FOR MEASURE OF LENGTH ARE:								ANGLES = ±2°
	0.5 to 3	> 3 to 6	> 6 to 30	> 30 to 120	> 120 to 400	> 400 to 1000	> 1000 to 2000	> 2000	
FINE	±0.05	±0.05	±0.1	±0.15	±0.2	±0.3	±0.5	----	
MEDIUM X	±0.1	±0.1	±0.2	±0.3	±0.5	±0.8	±1.2	±2	
COARSE	±0.2	±0.3	±0.5	±0.8	±1.2	±2	±3	±4	
VERY COARSE	----	±0.5	±1	±1.5	±2.5	±4	±6	±8	

MATERIAL  
SEE BOM

FINISH  
N/A

VENDOR: N/A

P/N: N/A

THIRD ANGLE PROJECTION



DRAWN	INITIAL DN	DATE 01-02-08
CHECKED		
APPROVED		
	U.O.M.	mm

UNISEN, INC. DBA



14410 Myford Road  
Irvine CA 92606

STARTRAC PART NO

718-5174

REV

B

TITLE

ASSY, LED/HANDLEBAR, E-UB

SCALE: 1:6

SHEET 1 OF 1

SHEET SIZE: B