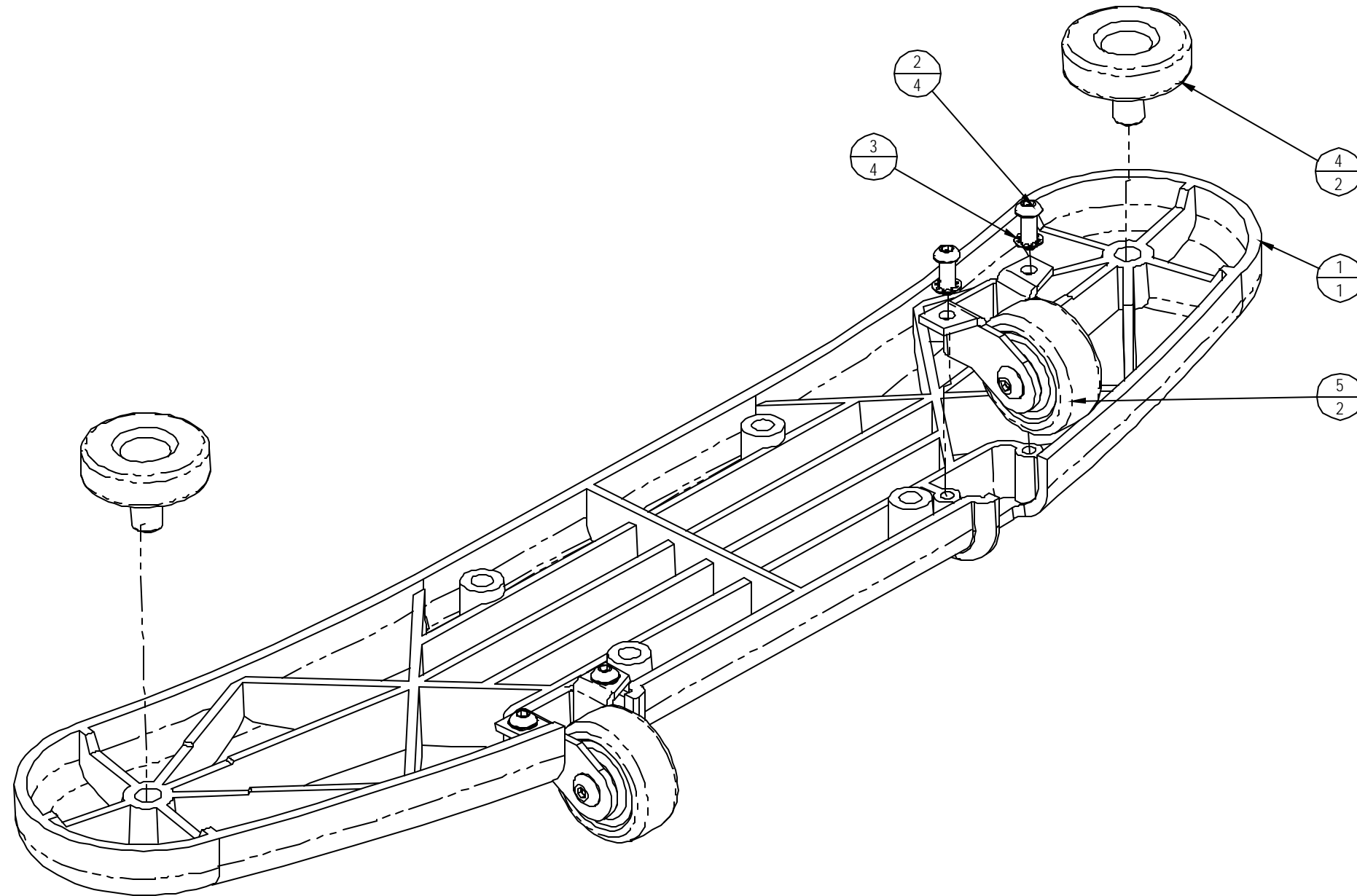


REVISIONS				
REV.	DATE	DESCRIPTION	ECO	BY
X01	1/12/2007	RELEASE FOR PROTOTYPE	----	RLH
A	07-18-07	PRODUCTION RELEASE	11669	DN



ITEM	PART NUMBER	DESCRIPTION	QTY
1	020-6410-05	FOOT, MACHINED FRONT	1
2	110-3173	SCREW, IS 7380, M6x16	4
3	120-3257	WASHER, M6, TEETH, 0.6 THICK	4
4	140-3247	LEVELER, FEET ADJUSTMENT	2
5	718-1109	ASSY, WHEELS, UB/RB PRO	2

**DOCUMENT STATUS:
RELEASE**

NOTICE OF PROPRIETARY INFORMATION
THIS DOCUMENT SHALL NOT BE REPRODUCED NOR
SHALL THE INFORMATION CONTAINED HEREIN BE
USED BY OR DISCLOSED TO OTHER EXCEPT AS
EXPRESSLY AUTHORIZED BY UNISEN

MATERIAL SEE BOM	TOLERANCES UNLESS OTHERWISE SPECIFIED X.XXX = ± .010" (0.25MM) ANGLES = ± 2° X.XX = ± .030" (0.76MM) FRACTIONS = ± 1/32 X.X = ± .050" (1.27MM) X = ± .125" (3.20)	
FINISH N/A	DRAWN RLH	DATE 01/12/07
VENDOR:	P/N:	U.O.M. MM

UNISEN, INC. DBA 14410 Myford Road Irvine CA 92606	
STAR TRAC	
PART NO 718-5106	REV A
TITLE ASSY, FOOT, FRONT, VLAD	
SCALE: 1:2	SHEET 1 OF 1 SHEET SIZE: B