



14410 MYFORD ROAD
IRVINE, CA 92606 USA
www.startrac.com

E-UB

ATTENTION EQUIPMENT INSTALLERS

Star Trac recommends that the E. Series Upright Bike be spaced a minimum of 24.0" (0.6 M) apart (between pedals) to allow safe and easy ingress and egress. As with any equipment, the area where the E Series Upright Bike is located must be free from obstructions and fixtures with sharp edges to prevent injury in the event that a user loses balance and falls.

ASSEMBLY INSTRUCTIONS

To assemble your **STAR TRAC E SERIES Upright BIKE**, just follow these steps.

Tools needed for assembly (provided):

1. 4mm Hex (Allen) Key
2. 4mm Hex (Allen) Key
3. 6mm Hex (Allen) Key
3. Multi Wrench
4. #2 Phillips Screwdriver

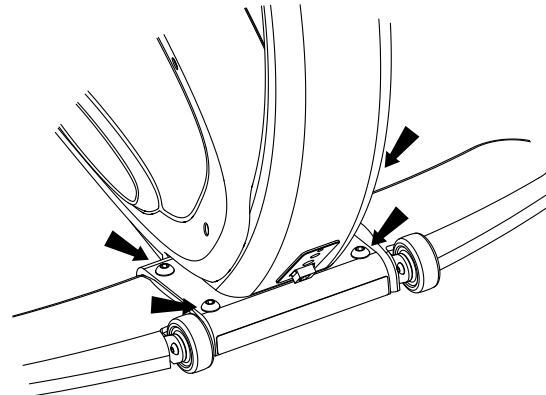
Note

If you have any questions regarding the assembly of your Star Trac E-UB Upright Bike, review the Owner's Manual or contact Star Trac Customer Support at (714) 669-1660 or (800) 503-1221.

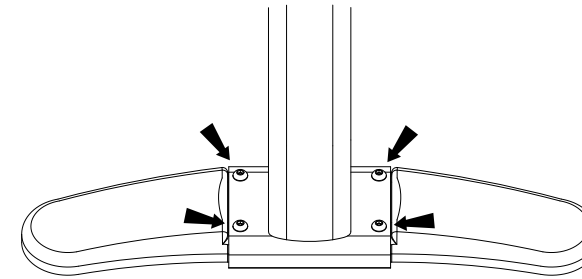
STEP 1. Remove all contents from the shipping carton, verify that you have the following parts.

Bike Frame.....	1
Display Console Assembly.....	1
Seat Post Assembly.....	1
Front Foot.....	1
Rear Foot.....	1
Pedals (set of two).....	1
Screw, Button Head, M10 x 30mm.....	8
Screw, Socket Head, M4 x 20mm.....	2
Screw, Socket Head, M6 x 20mm.....	1
Washer, M6.....	1
Screw, Flat Head, M6 x 16mm.....	4
Wrench, Hex Key, 3MM.....	1
Wrench, Hex Key, 4MM.....	1
Wrench, Hex Key, 6MM.....	1
Multi-end Wrench (10MM/12MM/15MM).....	1

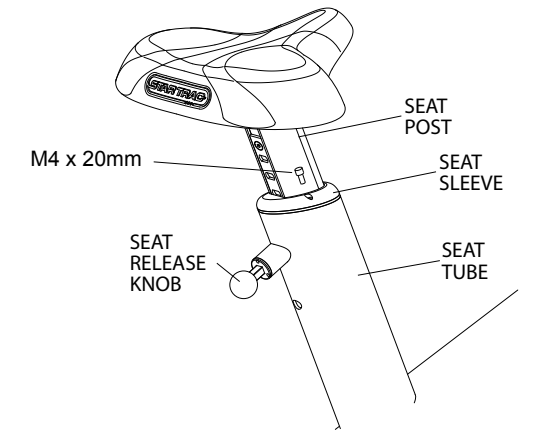
STEP 2. Install front foot with (4) M10 x 30mm long button head screws, use the M6 hex key, tighten all 4 screws securely.



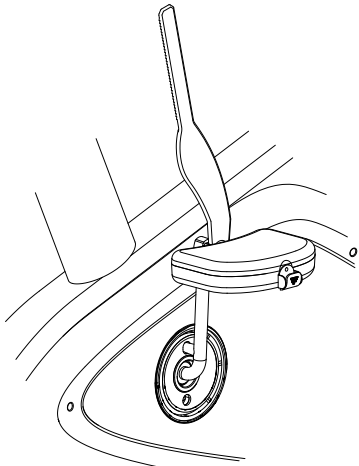
STEP 3. Install front foot with (4) M10 x 30mm long button head screws, use the M6 hex key, tighten all 4 screws securely.



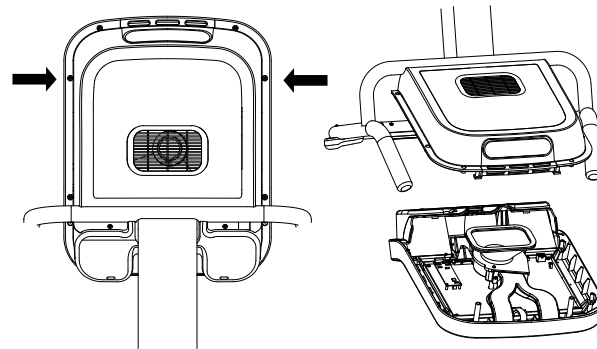
STEP 4. Carefully slide the seat post into the seat tube. Pull on the Seat Release Knob to allow the seat to enter the tube. Using the 3mm Hex Key install (2) M4 x 20mm long socket head screws into the seat sleeve.



STEP 5. Using the Multi-end Wrench, attach the (2) Pedals to the pedals cranks. Tighten securely. **NOTE:** Turn the left pedal counterclockwise.

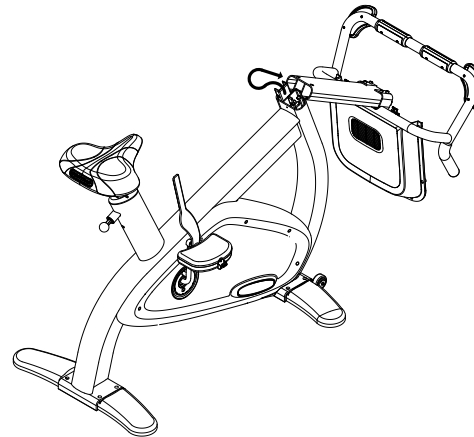


STEP 6. Remove the (2) Phillips head screws from the back of the display assembly. Retain for later use. Remove the front of the display and seat aside for later use.

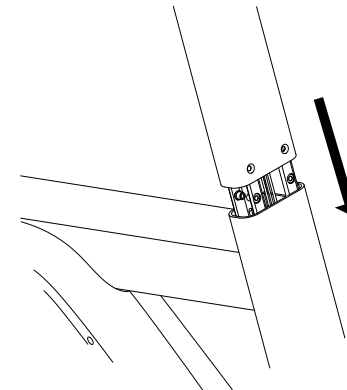


Note: For embedded display (E-UBe), omit step 6

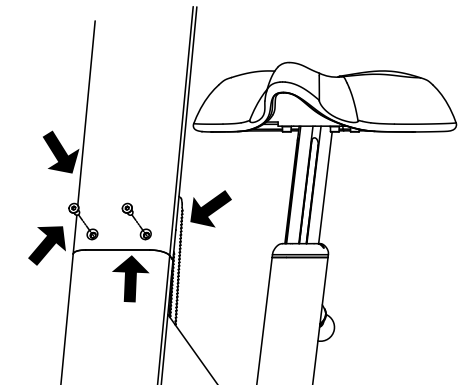
STEP 7. Insert the cables through the neck. Note: It may be necessary to have one person support and position the display while a second person feeds the cables.



STEP 8. Slide the display console neck onto the neck brackets of the bike frame. Caution: Be careful not to pinch the wires or your fingers while sliding the console into place.



STEP 9. Using a M4 hex key attach the neck to the bike with (4) M6 x 16mm long flat head screws. Tighten securely.

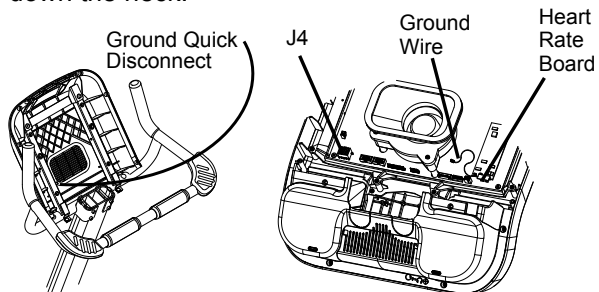


Note: For embedded display (E-UBe), skip to step 13. (steps 10 - 12 are omitted)

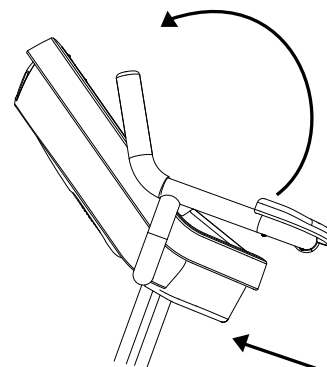
STEP 10. Plug in the 12 pin display cable from the neck into the front display circuit board at J4. Next plug in the Heart Rate cable from the handlebars into the HR board, then plug the HR ground into the quick disconnect tab on the display frame.

* If you are installing Entertainment, Refer to the PVS Install guide before this step.

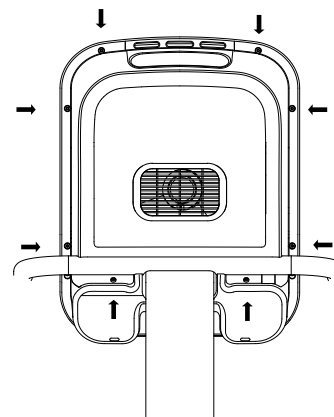
If not take the Coax and DC power and return them down the neck.



STEP 11. Slide the bottom of the front display under the 2 tabs at the base the mount. Press display against the round bar and rotate it to the back. Be careful not to pinch any wires.



STEP 12. Secure the Front display to the back with (8) M4 x 0.7 x 19mm long Phillips Head Screws.



STEP 13. Place the bike onto the floor in the position it will be used. Use the 4 leveling adjusters to level the bike.

For E-UBe models refer to embedded display Installation to mount the display and complete the Installation.

