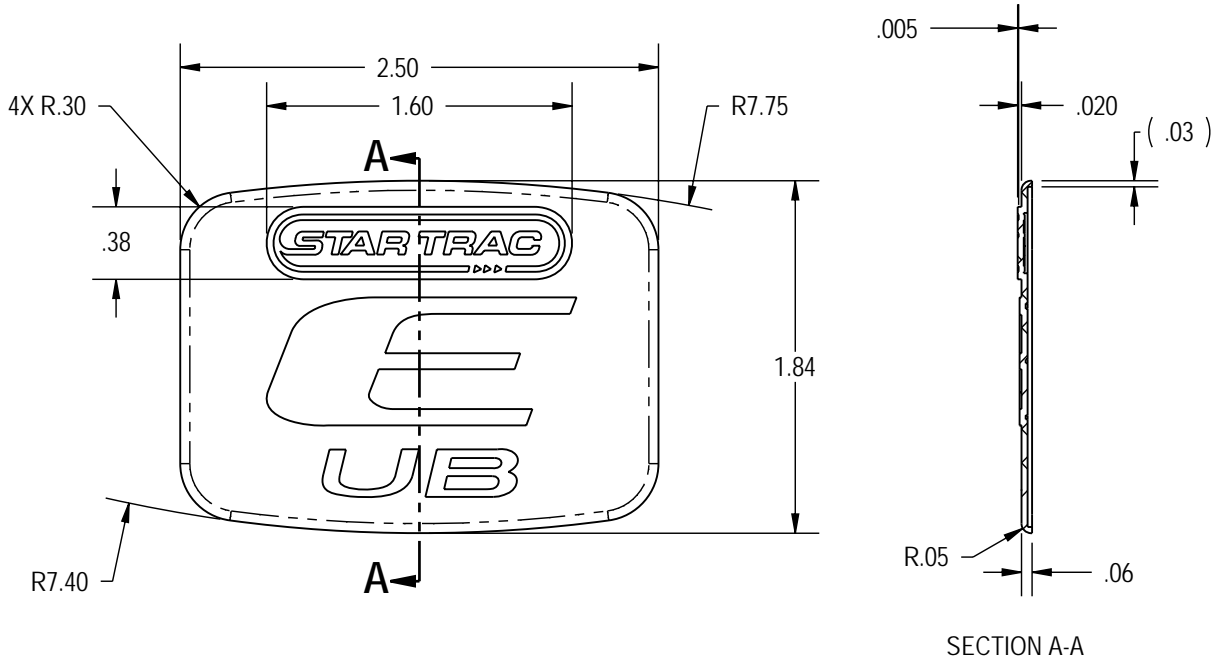
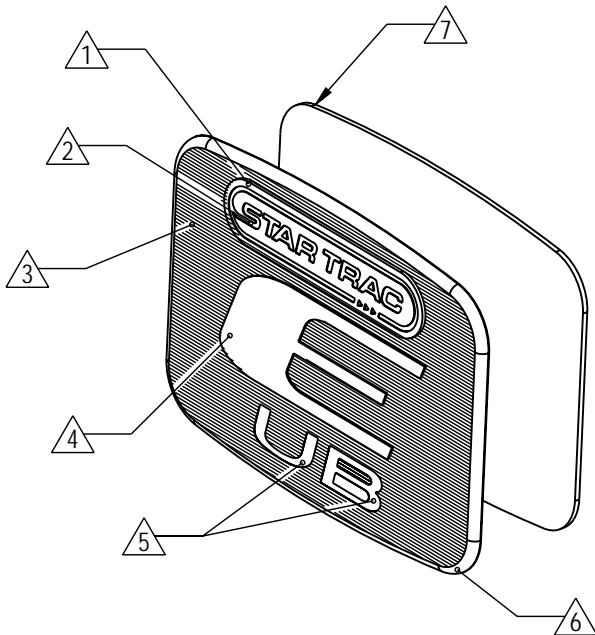


10 9 8 7 6 5 4 3 2 1

REVISIONS				
REV.	DATE	DESCRIPTION	ECO	BY
A	06-14-07	PRODUCTION RELEASE	11655	DN

NOTES:

- 1 RED PMS 1805, RAISED STAR TRAC BACKGROUND.
- 2 WHITE, STAR TRAC
- 3 BRUSHED ALUMINUM FINISHED.
- 4 POLISHED FINISHED
- 5 SCREEN-PRINT BLACK OR EQUIVALENT.
- 6 NO BRUSHED ON EDGE AS SHOWN.
- 7 3M 467MP DOUBLE SIDED .030" THICK OR EQUIVALENT.



DOCUMENT STATUS:  
RELEASE

<b>MATERIAL</b> .032" 1100 ALUMINUM	<b>TOLERANCES UNLESS OTHERWISE SPECIFIED</b> X.XXX = ± .010 X.XX = ± .030 X.X = ± .050 X = ± .125	INITIAL DATE
<b>FINISH</b> SEE NOTES	ANGLES = ± 2° FRACTIONS = ± 1/32	VC 04-02-07
		U.O.M. INCH

UNISEN, INC. DBA  
14410 Myford Road  
Irvine CA 92606

PART NO <b>050-2090</b>	REV <b>A</b>
TITLE <b>BADGE, PRODUCT, E-UB</b>	
SCALE: 1:1	SHEET 1 OF 1 SHEET SIZE: A

NOTICE OF PROPRIETARY INFORMATION  
THIS DOCUMENT SHALL NOT BE REPRODUCED NOR SHALL THE INFORMATION CONTAINED HEREIN BE USED BY OR DISCLOSED TO OTHER EXCEPT AS EXPRESSLY AUTHORIZED BY UNISEN

10 9 8 7 6 5 4 3 2 1