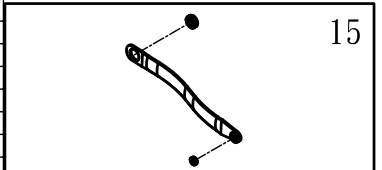
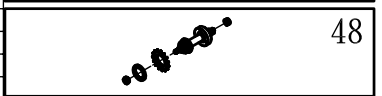
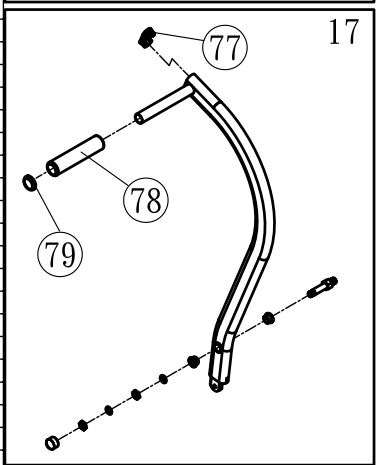
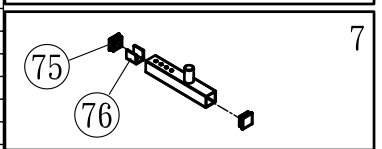
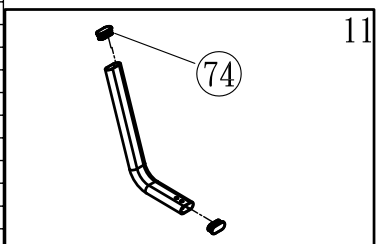
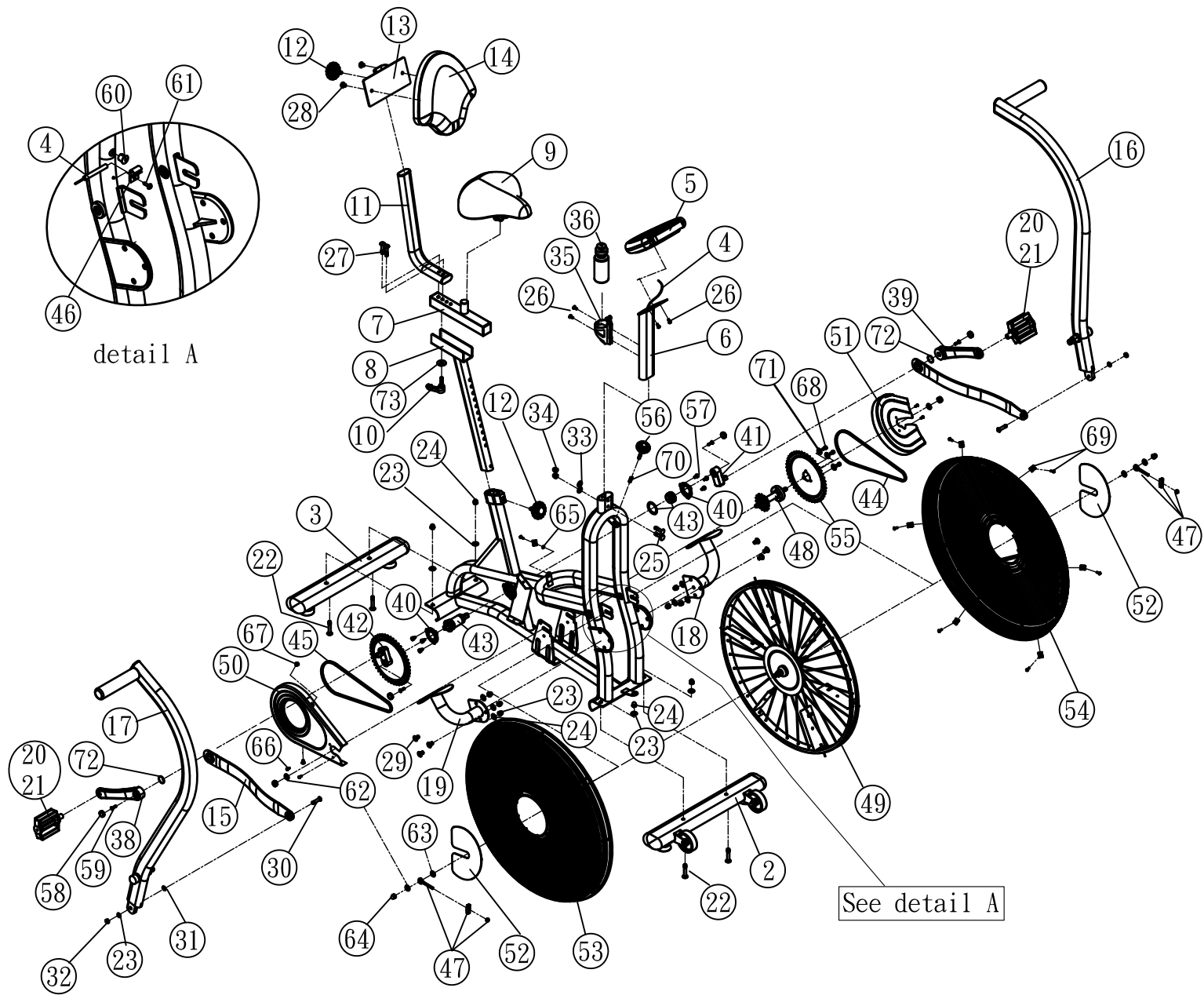


Item #	StairMaster Part #	Description
1	060-0038	Base Frame Assembly
2	060-0001	Front Stabilizer Assembly
3	060-0002	Rear Stabilizer Assembly
4	060-0003	Sensor Cable
5	060-0004	Console, Zephyr
6	060-0005	Console Mast
7	060-0006	Adjustable Seat Slider
8	060-0007	Seat Post
9	060-0008	Seat, Zephyr
10	060-0009	Adjustment Knob, Seat Slider
11	060-0010	Seat Back Post
12	060-0011	Adjustment Knob, Seat Post
13	060-0012	Seat Back Bracket
14	060-0013	Seat Back, Zephyr
15	060-0014	Connecting Arm (Preinstalled)
16	060-0015	Left Pivot Arm Assembly
17	060-0016	Right Pivot Arm Assembly
18	060-0017	Left Foot Rest
19	060-0018	Right Foot Rest
20	060-0019	Left & Right Pedal (set)
22	060-0021	Bolt, M8-1.25 X 55 Carriage Zinc Plated Steel
23	060-0022	Washer, Spring 20 X 8.5 X 1.5T Steel
24	060-0023	Nut, Acorn M8-1.25 Zinc Plated Steel
25	060-0024	Bolt, M6-1 X 40 Carriage Zinc Plated Steel
26	060-0025	Screw, Pan Head M5-.8X17
27	060-0026	Bolt, BHCS M8-1.25 X 40 Zinc Plated Steel
28	060-0027	Bolt, BHCS M8-1.25 X 15 Zinc Plated Steel
29	060-0028	Bolt, BHCS M8-1.25X 20 Zinc Plated Steel
30	060-0029	Bolt, Pivot M8-1.25 X 35 Zinc Plated Steel
31	060-0030	Washer, Flat 8X16X1.5T Zinc Plated Steel
32	060-0031	Nut, M8-1.25 Nyloc Zinc Plated Steel
33	060-0032	Washer, Spring 10 X 6.5 X 1.5 Steel
34	060-0033	Nut, Acorn M6-1 Zinc Plated Steel
35	060-0034	Cage, Water Bottle
36	060-0035	Water Bottle
37	060-0041	Hardware Pack, Zephyr
38	060-0042	Crank, Right Zephyr
39	060-0043	Crank, Left Zephyr
40	060-0044	Bottom Bracket Cap, Zephyr
41	060-0045	Eccentric Crank, Zephyr
42	060-0046	Eccentric Crank, with Sprocket Zephyr
43	060-0047	Bottom Bracket, Zephyr
44	060-0048	Chain, Fan to Middle Hub Zephyr
45	060-0049	Chain, Drive Chain Zephyr
46	060-0050	Speed Sensor bracket Zephyr
47	060-0051	Chain adjuster
48	060-0052	Middle hub
49	060-0053	Fan assembly
50	060-0054	Drive Chain Guard
51	060-0055	Chain Guard
52	060-0056	Plastic fan Guard
53	060-0057	Right fan Cage
54	060-0058	Left fan Cage
55	060-0059	Middle Sprocket
56	060-0061	Fan Stop Knob
57	060-0060	Bolt, Hex M5-.8 X 12 Zinc Plated Steel
58	060-0062	Crank and eccentric plastic cover
59	060-0063	Crank Spindle
60	060-0064	Cable protect plug
61	060-0065	Screw, M4-.7X16 Zinc Plated Steel
62	060-0066	Washer 10X20X3T Zinc Plated Steel
63	060-0067	Washer 10X19X1.5T Zinc Plated Steel
64	060-0068	Nut, Acorn, 3/8-26 Zinc Plated Steel
65	060-0069	Washer, 5X12X1T Zinc Plated Steel
66	060-0070	Screw, Pan Head, Self Tapping, M5-.8X12 Zinc Plated Steel
67	060-0071	Screw, Flathead Cross, M5-.8X10 Zinc Plated Steel
68	060-0072	Bolt, M5-.8X25 Grade 8 Black Steel
69	060-0073	Fan Cage Bracket + Screw
70	060-0074	Spring for Fan stop knob
71	060-0075	Washer 5X10X1T Zinc Plated Steel
72	060-0076	Polyethylene Spacer
73	060-0077	Washer for Adjustment Knob, Seat Slider
74	060-0078	Inner Cap for Seat Back Post
75	060-0079	Inner Cap for Seat Slider Tube
76	060-0080	Seat Slider adjust nut
77	060-0081	Inner Cap for Swing Arm
78	060-0082	Handle bar PU foam
79	060-0083	Handle bar inner end cap
80	060-0084	Stabilizer end cap
81	060-0085	Nut, Butterfly, M8-1.25 Black Steel
82	060-0086	Foot Adjuster
83	060-0087	Transport Wheel
84	060-0088	Bolt, Hex, M8-1.25X40 Zinc Plated Steel
85	060-0089	Nut, Acorn, M8-1.25, Zinc Plated Steel
86	060-0090	Washer 8.5X16X1.7T Zinc Plated Steel

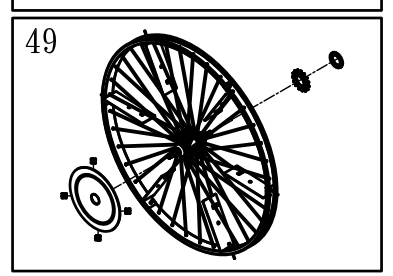
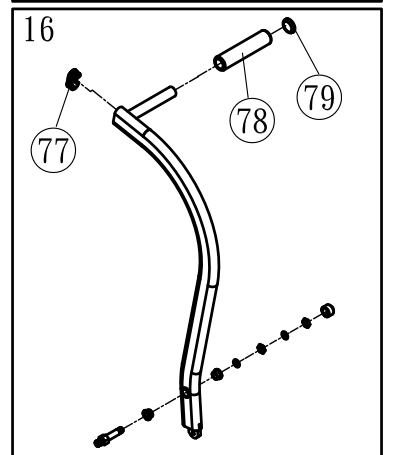
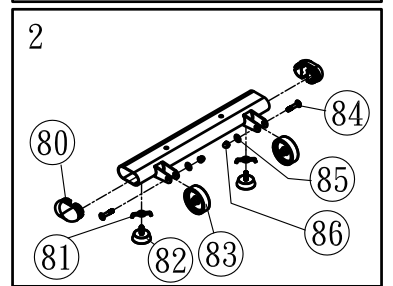
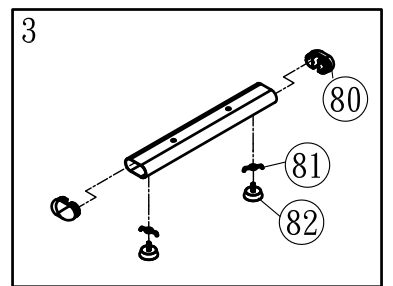


Hardware Pack for Assembly



See detail A

REVISIONS			
REV.	DESCRIPTION	DATE	APPROVED
A		9/14/2011	



PROPRIETARY AND CONFIDENTIAL  
THE INFORMATION CONTAINED IN THIS DRAWING IS THE SOLE PROPERTY OF STAIRMASTER OR CORE FITNESS. ANY REPRODUCTION IN PART OR AS A WHOLE WITHOUT THE WRITTEN PERMISSION OF STAIRMASTER OR CORE FITNESS IS PROHIBITED.

THIRD ANGLE PROJECTION:

PRIMARY DIMENSIONS GIVEN IN MILLIMETERS SECONDARY DIMENSIONS GIVEN IN INCHES

TOLERANCES:  
ANGULAR: ± 1°  
ONE PLACE DECIMAL ± .3  
TWO PLACE DECIMAL ± .15  
WHOLE MEASUREMENTS ± 1.

MODELED	NAME	DATE
DRAWN	M. BIXBY	9/13/2011
ENG APPR.		
Q.A. APPR.		
MATERIAL:		
COLOR:		
FINISH:		

TITLE:		REV.	
ZEPHYR ASSEMBLY			
3D MODEL PATH:			
SIZE	DRAWING PATH: L:\stairmaster\bixby\160001\	REV.	
B	160001	C	
SCALE: 1:1		SHEET: 1 OF 1	

