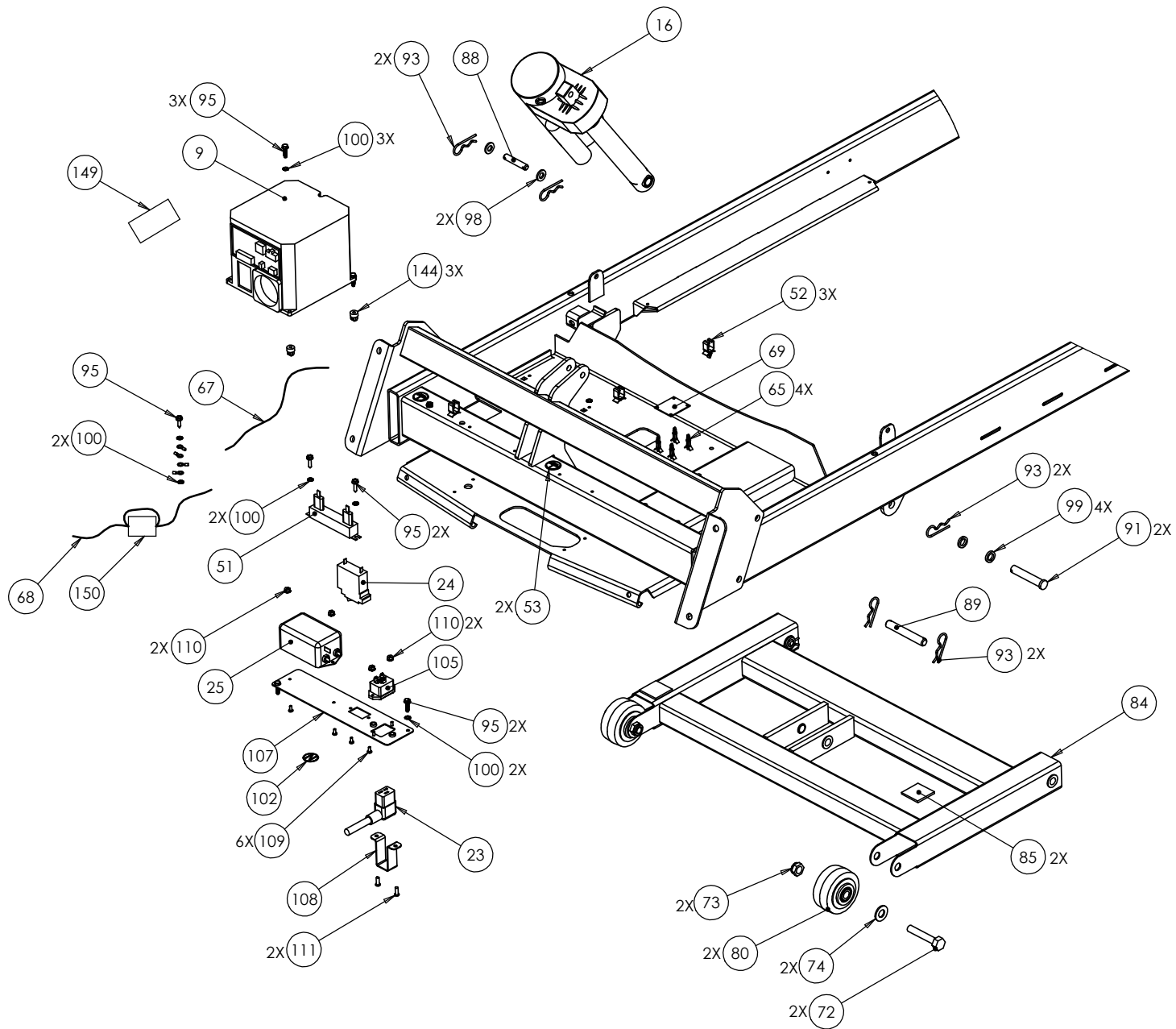
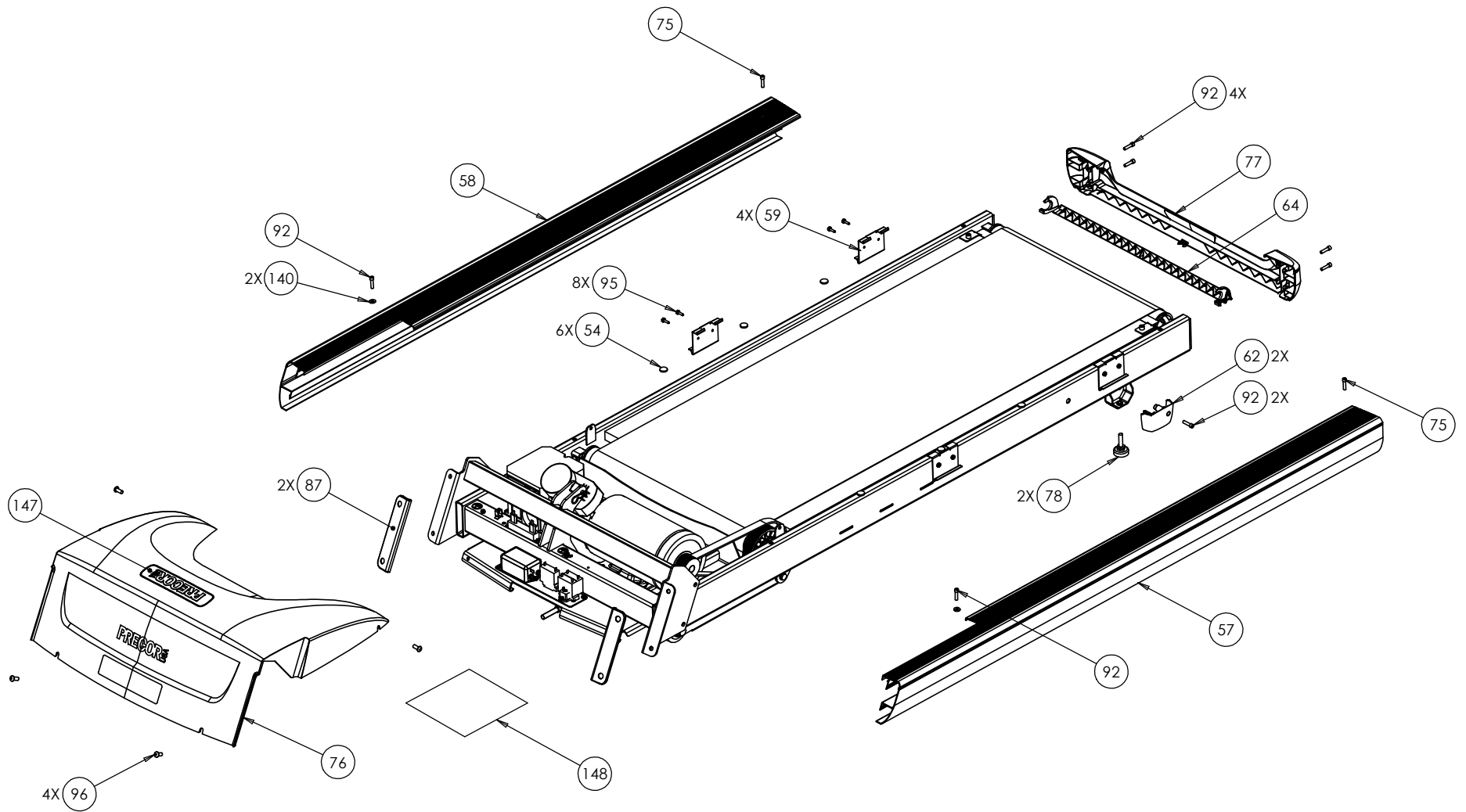


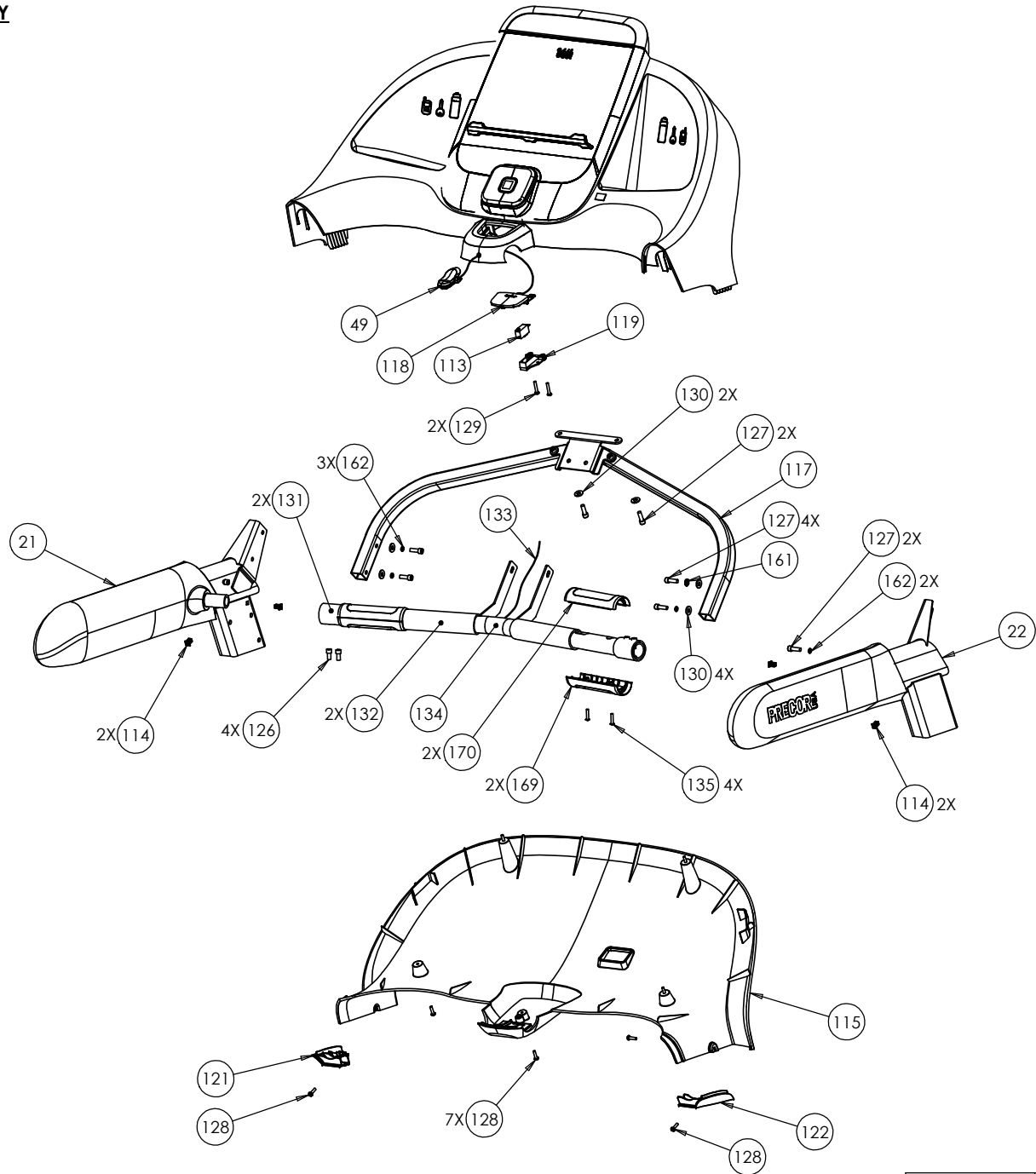


C932i, C946i	P/N : 35937-101	SUBREV : K
DRAWN BY : MAH	DATE : 10.11.10	SHEET 1 OF 8

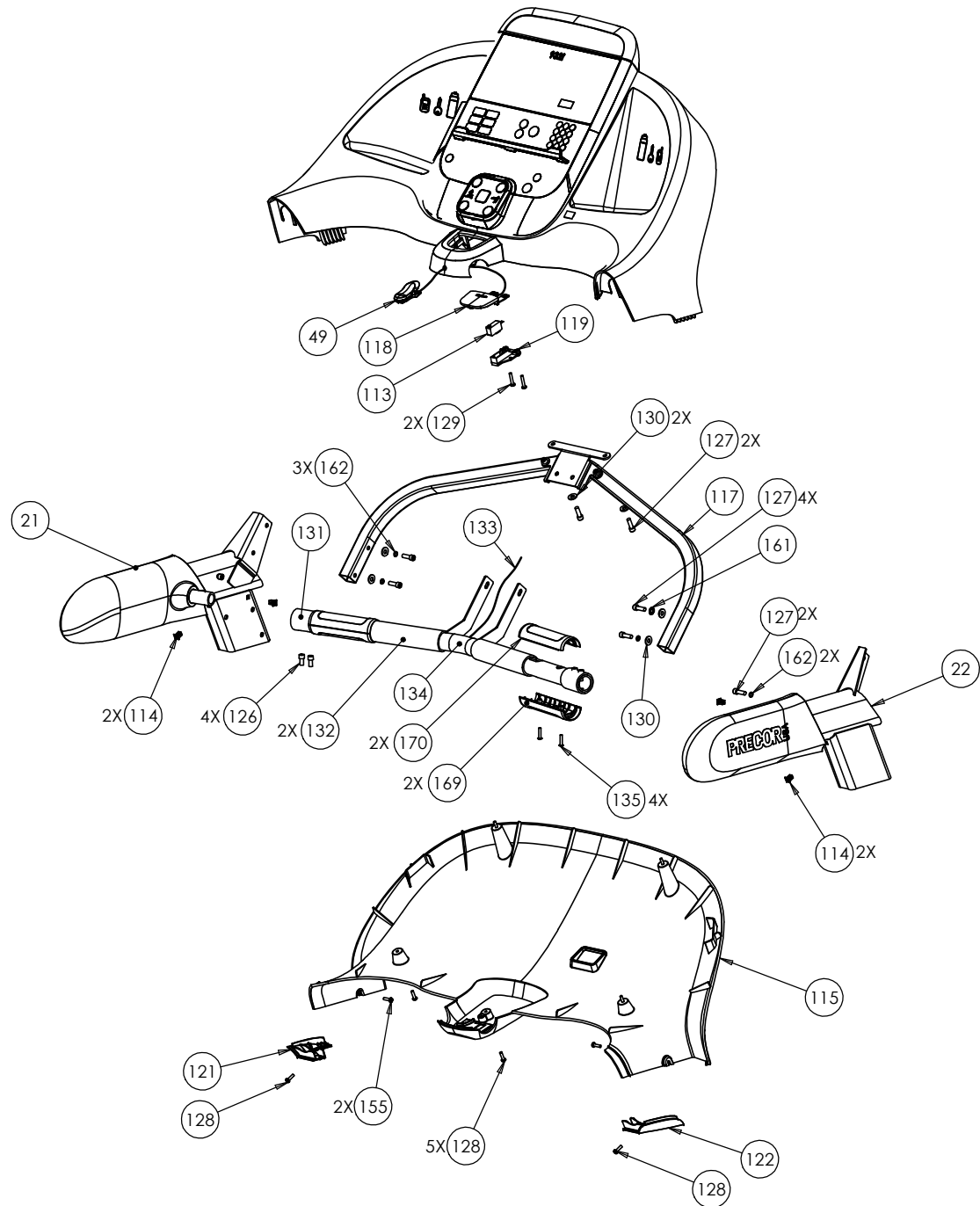




**C946i DISPLAY
ASSEMBLY**



**C932i DISPLAY
ASSEMBLY**



**C932i & C946i
DISPLAY ASSEMBLY**

