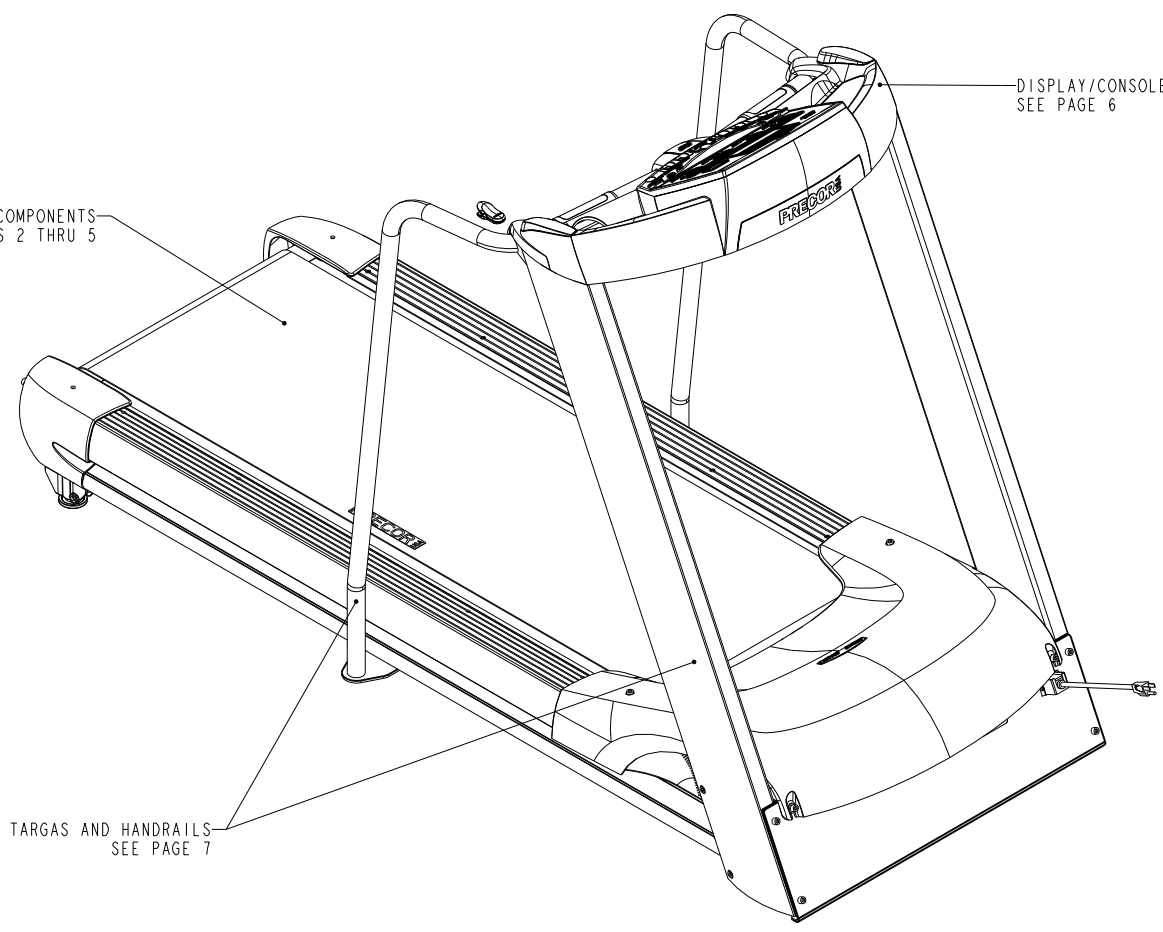


LOWER TREADMILL COMPONENTS  
SEE PAGES 2 THRU 5



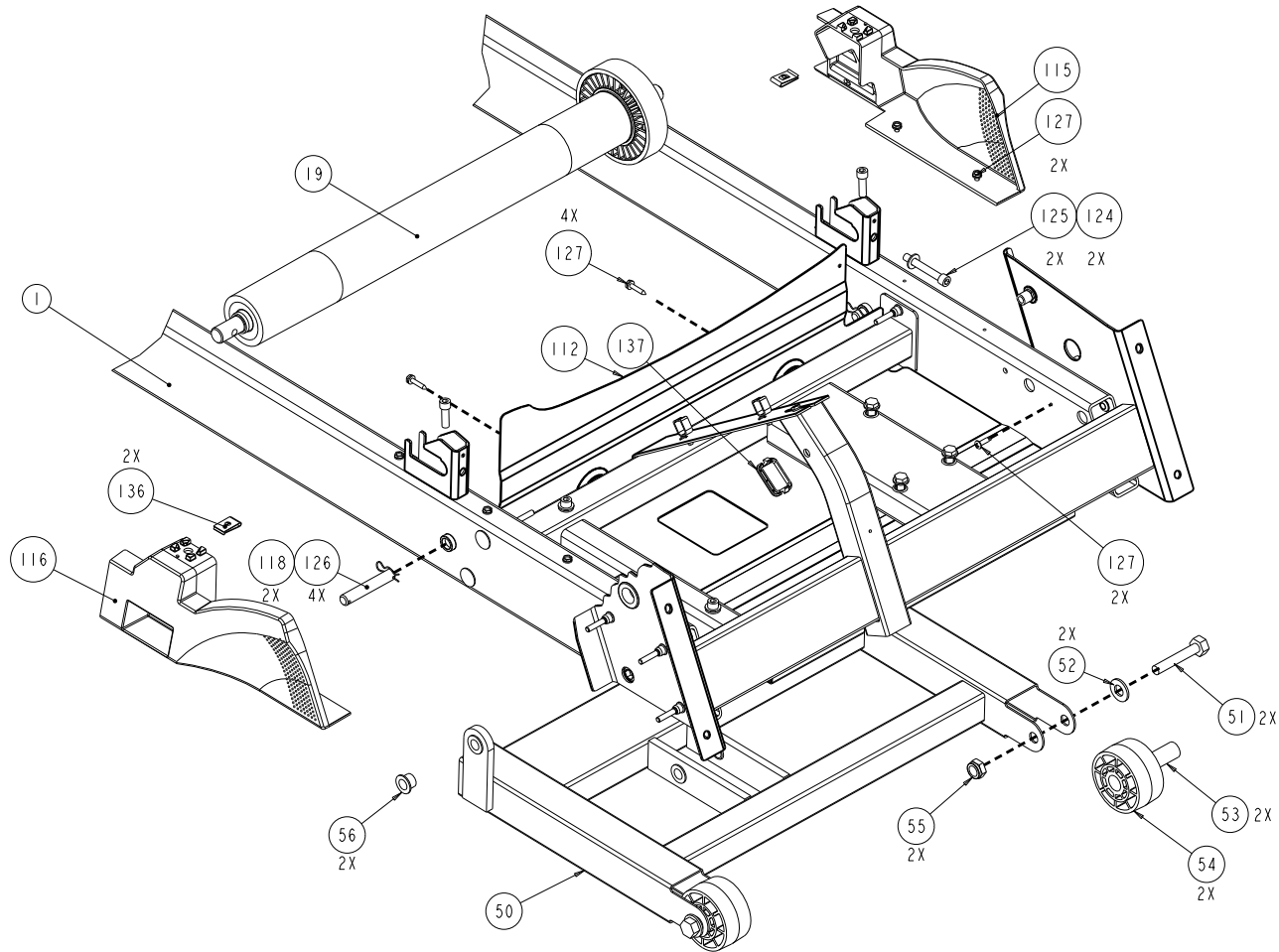
DISPLAY/CONSOLE COMPONENTS  
SEE PAGE 6

TARGAS AND HANDRAILS  
SEE PAGE 7

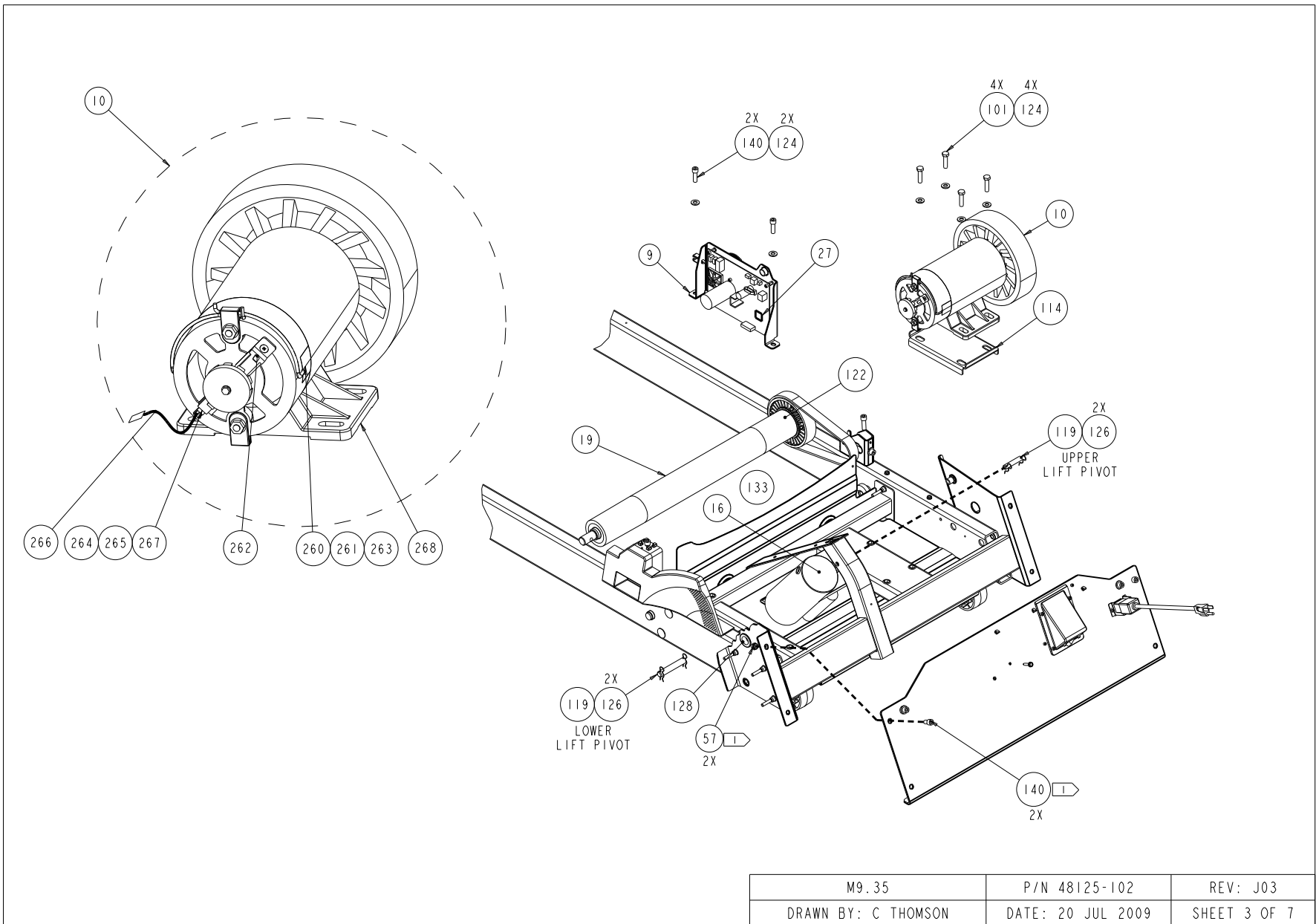
NOTES:

 FOR SHIPPING ONLY.

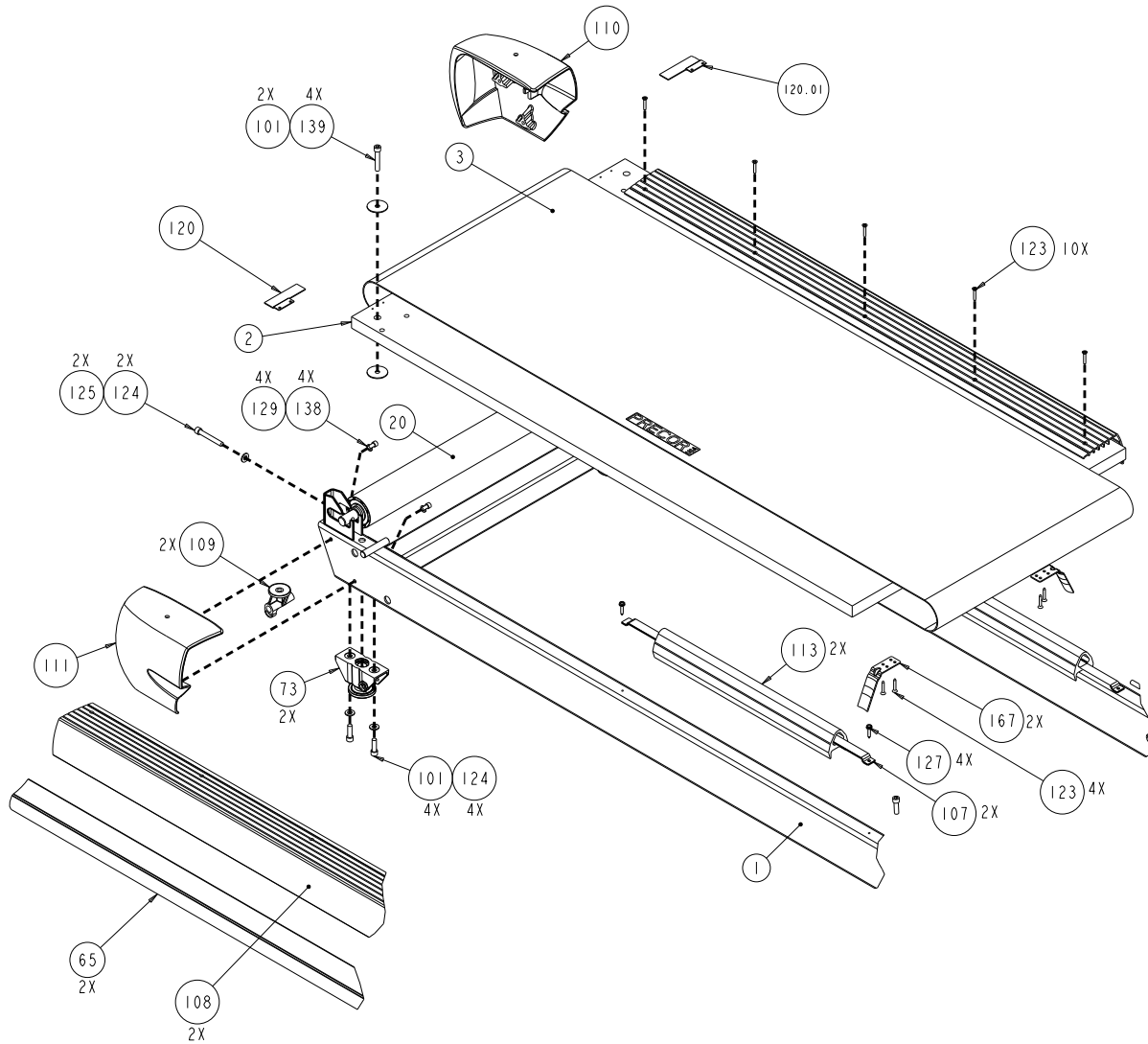
M9.35	P/N 48125-102	REV: J03
DRAWN BY: C THOMSON	DATE: 20 JUL 2009	SHEET 1 OF 7



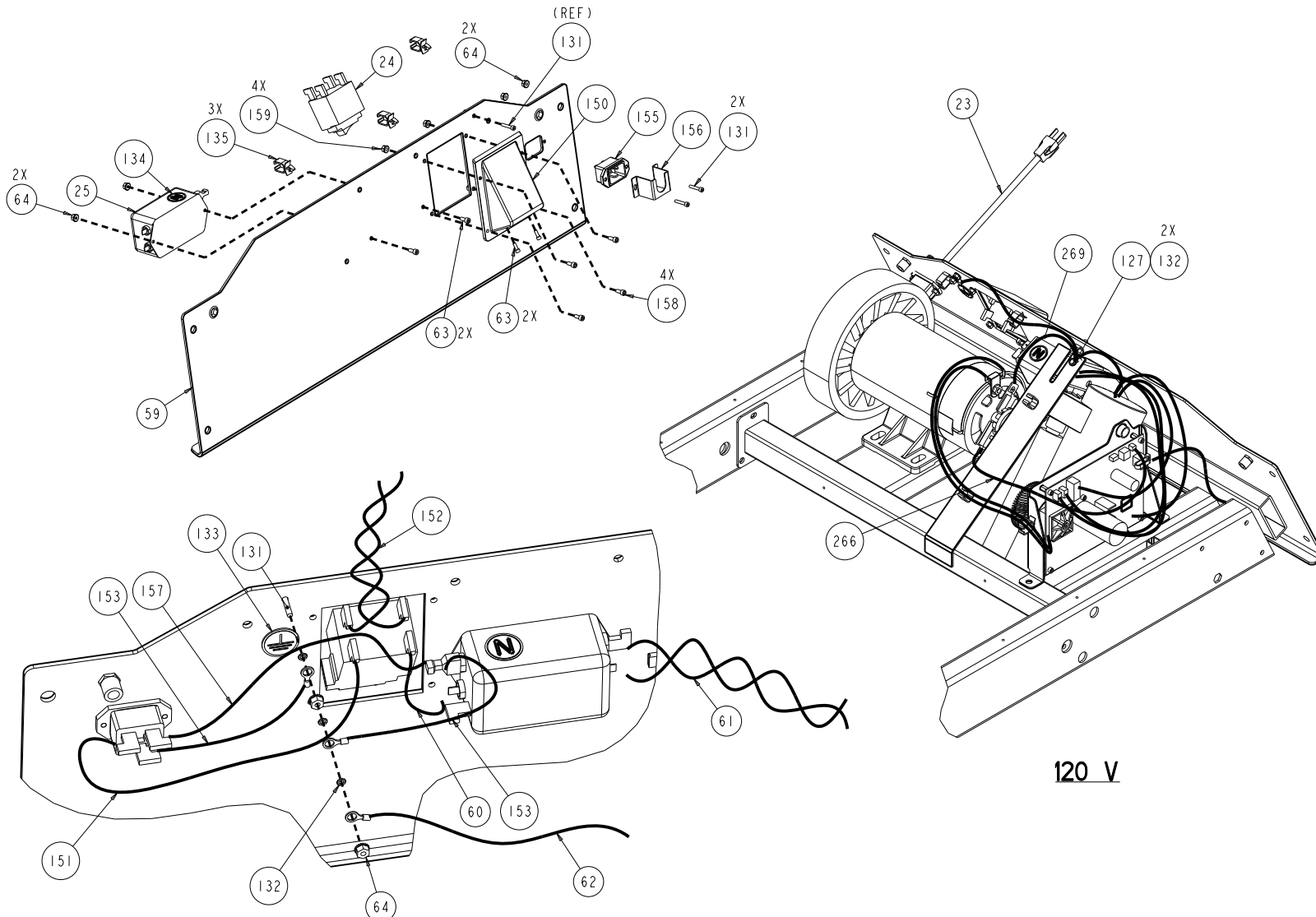
M9.35	P/N 48125-102	REV: J03
DRAWN BY: C THOMSON	DATE: 20 JUL 2009	SHEET 2 OF 7



M9.35	P/N 48125-102	REV: J03
DRAWN BY: C THOMSON	DATE: 20 JUL 2009	SHEET 3 OF 7

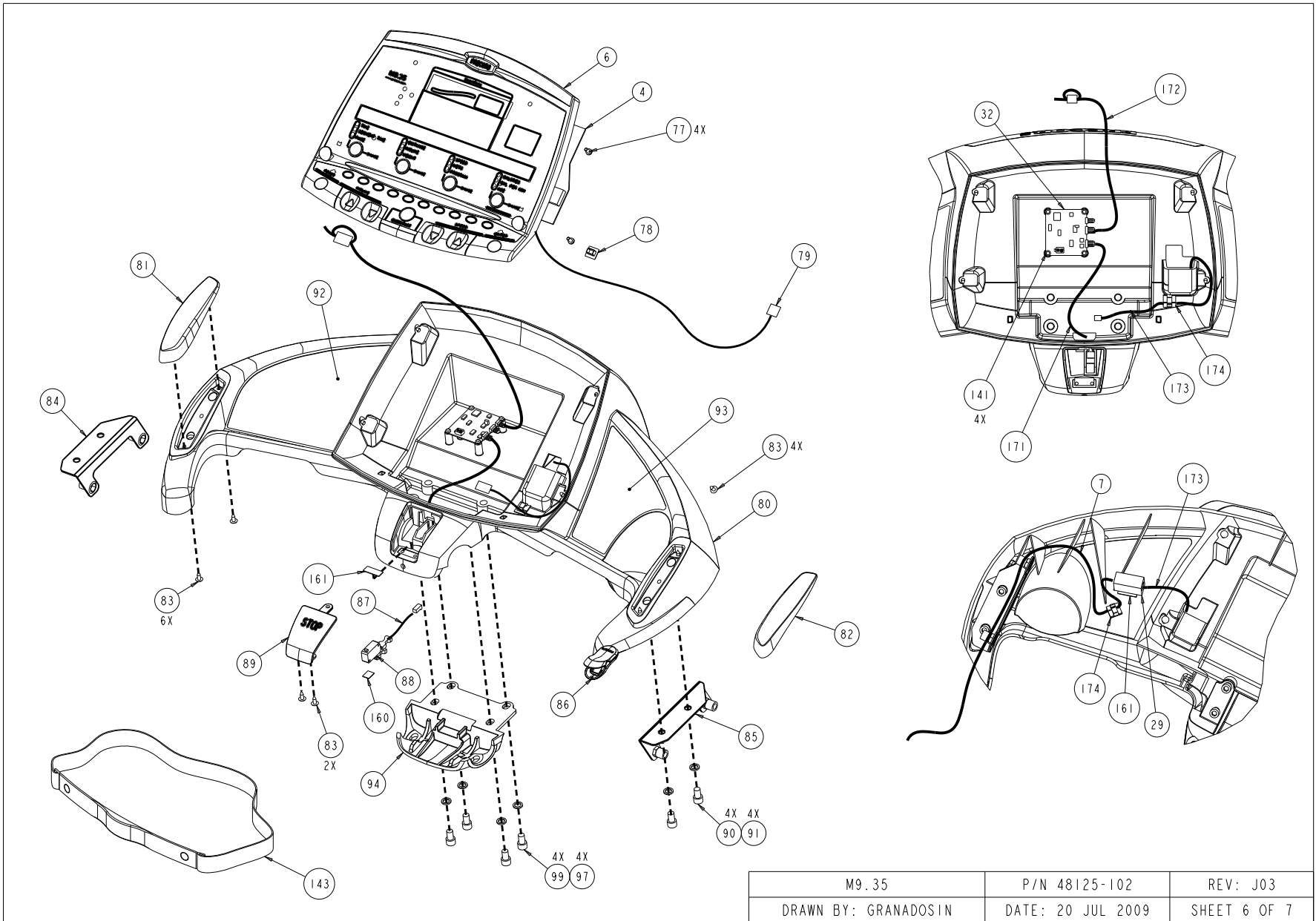


M9.35	P/N 48125-102	REV: J03
DRAWN BY: C THOMSON	DATE: 20 JUL 2009	SHEET 4 OF 7

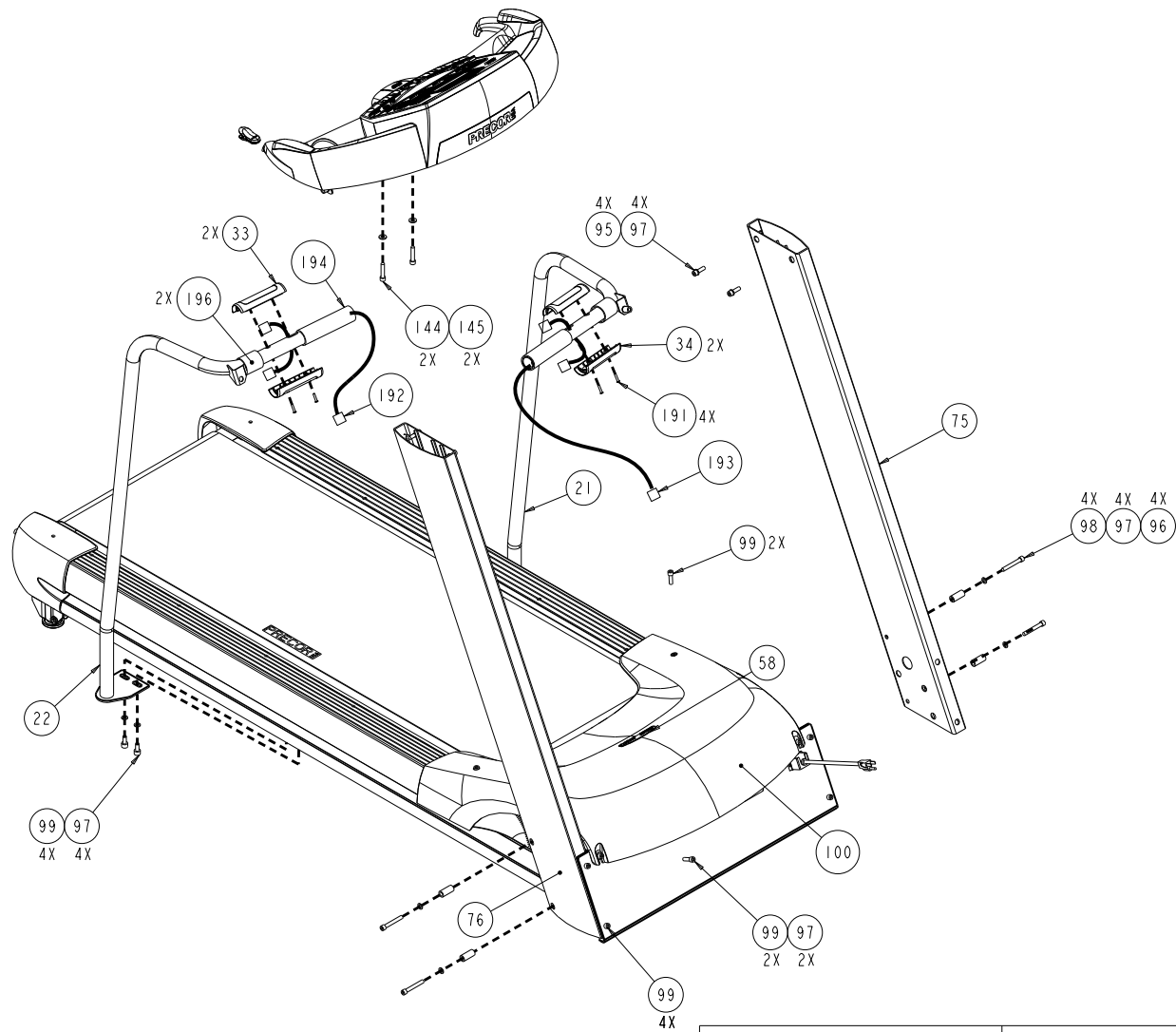


**WIRING DETAIL**  
 SOME DETAIL REMOVED FOR CLARITY

M9.35	P/N 48125-102	REV: J03
DRAWN BY: C THOMSON	DATE: 20 JUL 2009	SHEET 5 OF 7



M9.35	P/N 48125-102	REV: J03
DRAWN BY: GRANADOSIN	DATE: 20 JUL 2009	SHEET 6 OF 7



M9.35	P/N 48125-102	REV: J03
DRAWN BY: C THOMSON	DATE: 20 JUL 2009	SHEET 7 OF 7

**9.35 (serial code A996, AMPN)**

<b>Part Number</b>	<b>Description</b>	<b>Bubble Number</b>
PPP00000059093101	DECK WITH SHIPPER KIT	2
PPP000000036355123	RUNNING BELT, SIEGLING, 120 X 20	3
PPP000000045435106	PCA, DISPLAY, T2	4
PPP000000047771102	ASSY, UPPER PCA & SW, 9.35-T2	4
PPP000000048056101	ASSY, DISPLAY, TOUCHSENSOR, M9.35 L	6
PPP000000044905084	ASSY,CBL,MOD,8P8C,1-1,SILVER,84"	7
PPP0000000300744102	ASSEMBLY, LOWER PCA	9
PPP000000059099101	KIT, ASSY,DRIVE MOTOR,120V,MCMILLAN	10
PPP000000044064105	LIFT ACTUATOR, 120V	16
PPP000000047101101	ASSEMBLY, DRIVE ROLLER, STEEL	19
PPP000000047102101	ASSEMBLY, TAKE-UP ROLLER, STEEL	20
PPP000000046991105	WELDMENT, HANDRAIL, LEFT, PAINTED	21
PPP000000047010105	ASSY, HANDRAIL, HHR, LEFT	21
PPP000000046991106	WELDMENT, HANDRAIL, RIGHT, PAINTED	22
PPP000000047010106	ASSY, HANDRAIL, HHR, RIGHT	22
PPP000000045657144	PWR CORD,125VAC,15A,NEMA 5-15RA/IEC	23
PPP000000010435101	CKT BRKR,250V,MAGNETIC,ROCKER,	24
PPP000000011224102	FILTER,PWR LINE,250VAC,16A	25
PPP000000011415102	COUPLER,MOD,8P8C,INLINE,SNAP-IN	29
PPP000000043579108	ASSY BOARD, CHR, CONTACT PRIORITY/	32
PPP000000042713102	HHR SENSOR, TOP	33
PPP000000042714102	HHR SENSOR, BOTTOM	34
PPP000000045904101	LIFT PLATFORM, W/BUSHINGS, 9.3X, C9	50
PPP00000HCTN050250	SCREW,HEX,GR 5,1/2-13X2-1/2,BLK SHA	51
PPP00000WBZN050008	WASHER, FLAT,1/2,.086 BLK CVS	52
PPP0000000036192101	BUSHING, SPANNER	53
PPP000000044270101	WHEEL, LIFT	54
PPP00000KACN050019	LOCKNUT,HALF,1/2-13,ZN	55
PPP000000010043113	BEARING,FLANGE,OD=.62 ID=.5	56
PPP00000KMCN031023	NUT, HEX, 5/16-18, ZINC	57
PPP000000047970101	LABEL, GROUND EFFECTS, STONE GRAY	58
PPP000000045667102	9.3X, C936I FACEPLATE W/RIVNUTS, ST	59
PPP000000049681006	ASSY,CBL,1 COND,14AWG,QK DISC,6",BR	60
PPP000000045268030	CBL,2C(1TW PR),BROWN/BLUE,250X032 Q	61.01
PPP000000045296030	ASSY,CBL 2COND,14AWG,QK DISC 2FLAG-	61.01
PPP000000045268030	CBL,2C(1TW PR),BROWN/BLUE,250X032 Q	61.02
PPP000000045296030	ASSY,CBL 2COND,14AWG,QK DISC 2FLAG-	61.02
PPP000000045145016	CBL,1C,14AWG,#10 RING(2X),GRN/YEL,1	62
PPP00000CCNN013038	SCREW, SKHD,6-32X3/8,SS,LK	63
PPP00000KGCN013011	LOCKNUT, STARWASHER 6-32, #6	64
PPP000000044083102	COVER, SIDERAIL	65
PPP000000044019105	ASSEMBLY, REAR FOOT, M9.3X	73
PPP000000044017103	ASSEMBLY, TARGA, LEFT	75
PPP000000044017104	ASSEMBLY, TARGA, RIGHT	76
PPP00000MGCN016038	SCREW,MCH,8-32X3/8,PANHD,PHIL,	77
PPP000000012264101	RJ-45 TELEPHONE JACK PLUG	78
PPP000000045696032	ASSY,CBL,FFC,12COND,28AWG,3.2"	79
PPP000000044065104	DASH, STONE GRAY	80
PPP000000044105103	HAND GRIP, CONSOLE, LEFT, STONE GRA	81
PPP000000044105104	HAND GRIP, CONSOLE, RIGHT, STONE GR	82



PPP00000PGKN016050	SCREW,S/T,#8X1/2,TRS,PHIL,BLK	83
PPP000000044026103	ASSY, MOUNTING BRACKET, LEFT, STONE	84
PPP000000044026104	ASSY, MOUNTING BRACKET, RIGHT, STON	85
PPP000000045283011	ASSY,CBL,UPPER SAFETY SWITCH,11"	87
PPP000000012259102	SWITCH,MICRO,PLUNGER,SPNC	88
PPP000000044086102	STOP BUTTON	89
PPP00000CATN031050	SCREW,SKHD,5/16-18X0.50,BLK SHARPER	90
PPP00000WEGN031007	WASHER, FLT, 5/16X.688X.065,SS, BLK	91
PPP000000047977101	LABEL, DASH, LEFT, M9.35, STONE GRE	92
PPP000000047978102	LABEL, DASH, RIGHT, M9.35, STONE GR	93
PPP000000044112103	BRACKET, HANDRAIL CLAMP, STONE GRAY	94
PPP00000CCNE031100	SCREW,SKHD,5/16-18X1.00,SS,LK	95
PPP000000044060102	SPACER, TARGA BOLT, 1.360L	96
PPP00000WPNN033005	WASHER,FLT,5/16X.562X..060,SS	97
PPP00000CCNN031225	SCREW,SKHD,5/16-18X2.25,BLK ZN,LK	98
PPP00000CCNE031075	SCREW,SKHD,5/16-18X.75,SS,LK	99
PPP000000045451102	ASSEMBLY, HOOD W/ WIRING DIAGRAM, S	100
PPP00000CATN031175	SCREW,SKHD,5/16-18X1.75,BLK SHARPER	101
PPP000000044074105	STRAP, GFX TIE DOWN	107
PPP000000044082104	TRIM, BED, STONE GRAY	108
PPP000000044071104	PIVOT, DECK MOUNT	109
PPP000000046882103	ASSY, ENDCAP, LEFT, PT, STONE GRAY	110
PPP000000046882104	ASSY, ENDCAP, RIGHT, PT, STONE GRAY	111
PPP000000044089103	ENCLOSURE, LOWER	112
PPP000000044092102	CUSHION, GFX	113
PPP000000044097102	PLATE, MOTOR	114
PPP000000044102107	VENT, HOOD, LEFT, STONE GRAY	115
PPP000000044102108	VENT, HOOD, RIGHT, STONE GRAY	116
PPP000000044109103	PIN, LIFT PIVOT, 3.38	118
PPP000000044109102	PIN, LIFT PIVOT, 2.00	119
PPP000000049429102	93X ROLLER BRIDGE, RIGHT, PT	120
PPP000000049429101	93X ROLLER BRIDGE, LEFT, PT	120.01
PPP000000044117103	COVER, LOWER ENCLOSURE	121
PPP000000010217132	BELT, DRIVE, 280J10 POLY V, TEM	122
PPP00000DCTN019100	SCREW,WOOD #10X1, L=1.00,BLK SHARPE	123
PPP00000WBCN031007	WASHER,FLT,5/16X.688X.065, ZN	124
PPP00000CATN031225	SCREW,SKHD,5/16-18X2.25,BLK SHARPER	125
PPP000000010400103	PIN, HITCH, .093 DIA, ZINC, #203	126
PPP00000PKCN019075	SCREW,S/T,#10X.75,WSHHXHD,ZN	127
PPP000000010178107	BUSHING, SNAP	128
PPP00000CATN025050	SCREW,SKHD,1/4-20X0.50,BLK SHARPERI	129
PPP00000CCNN013075	SCREW,SKHD,6-32X.75L,SS	131
PPP00000WAMCN019002	WASHER, LOCK, EXT TOOTH, #10	132
PPP0000000033984101	LABEL, SAFETY, GROUND SYMBOL	133
PPP0000000037436101	LABEL, CHASIS NEUTRAL	134
PPP000000011278101	CABLE CLAMP,INSERT	135
PPP000000010136107	NUT RETAINER,TINNERMAN, 5/16-18	136
PPP000000045784101	GROMMET, LIFT MOTOR MOUNT, 9.3X	137
PPP00000WALCN025006	WASHER, SPLIT LOCK, 1/4 MED,	138
PPP00000WBCN031006	WASHER, FEN, 5/16, ID=.331,	139
PPP00000CATN031100	SCREW,SKHD,5/16-18X1,BLK SHARPERIZE	140
PPP00000MGCN013038	SCREW,MCH,6-32X3/8,PANHD,PHIL,	141

PPP00000CCNN031125	SCREW, SKHD, 5/16-18 X 1.25, SS	144
PPP00000WBCN031007	WASHER,FLT,5/16X.688X.065, ZN	145
PPP00000WEGN031007	WASHER, FLT, 5/16X.688X.065,SS, BLK	145
PPP000000044118102	BRACKET, POWER BOX	150
PPP000000044528010	CBL,1C,14AWG,250X032 QD RECP FLAG(X	151
PPP000000044532036	ASSY,CBL,2 COND,22AWG,MOLEX,36"	152
PPP000000044534008	ASSY,CBL,1COND,14AWG,QK DISC,8"	153
PPP000000045381101	IEC 16/20A POWER CORD INLET	155
PPP000000047027102	POWER CORD CLAMP, SHORT.	156
PPP000000045383012	CBL,1C,14AWG,250X032 QD RECP/250X03	157
PPP00000CATE016038	SCREW,SKHD, #8-32 X 3/8,BLK SHARPER	158
PPP00000KGCN016013	LOCKNUT, STARWASHER 8-32, HEX	159
PPP000000044170101	VHB, SPACER, SHORT	160
PPP000000044171101	VHB, SPACER, LONG	161
PPP000000042452102	BELT TRACKER	167
PPP000000047107012	ASSY,CABLE,HHR INTERFACE,W/SHIELD,	171
PPP000000049341013	ASSY,CBL,HHR TO DISPLAY,HP/FERRITE	172
PPP000000044905012	ASSY,CBL,MOD,8P8C,1-1,SILVER,12"	173
PPP000000012262102	WIRE CLIP,FOAM TAPE BACK	174
PPP00000TCNN016075	SCREW, BTHD, 8-32X.75,SS	191
PPP000000047109012	ASSY,CABLE,HHR RIGHT GRIP,W/SHIELD	192
PPP000000047108012	ASSY,CABLE,HHR LEFT GRIP,W/SHIELD,	193
PPP000000047011102	GRIP, DIP MOLD, PLASTISOL, 5.7 LG W	194
PPP000000038048117	GRIP,PLASTISOL, 1.850 LG	196
PPP000000044135104	HARDWARE KIT, 9.3X	200
PPP000000020002112	BRUSH, MOTOR (YP00521)	202
PPP000000010186111	WRENCH, ALLEN, 1/4, 3 X 10	204
PPP000000044165105	LABEL, WIRING DIAGRAM	209
PPP000000059054101	9.3X, C93X ENDCAP REPLACEMENTKIT	210
PPP000000059060101	9.3X BELT TRACKER KIT	211
PPP000000020002114	BRUSH W/ LEAD ASSY, RED, MCMILLAN S	260
PPP000000020002115	BRUSH W/ LEAD ASSY, BLACK, MCMILLAN	261
PPP000000020111101	GROUND BRUSH ASSY, MCMILLAN S3456B3	262
PPP000000020112101	BRUSH COVER, MCMILLAN S3456B3329	263
PPP000000020113101	SENSOR, TACHOMETER, MCMILLAN	264
PPP000000020114101	INTERRUPTER, 10 TOOTH, TACHOMETER,	265
PPP000000020115101	CABLE, TACHOMETER, MCMILLAN	266
PPP000000020116101	BRACKET, TACHOMETER SENSOR, MCMILLA	267
PPP000000020117101	BASE, MOTOR, MCMILLAN	268
PPP000000020118101	GROUND WIRE, 7.5 INCH, MCMILLAN	269
PPP000000059061101	9.3X POWER CORD CLAMP KIT	290
PPP000000011277111	RIVNUT, INSERT, LG DIA,5/16X18	900