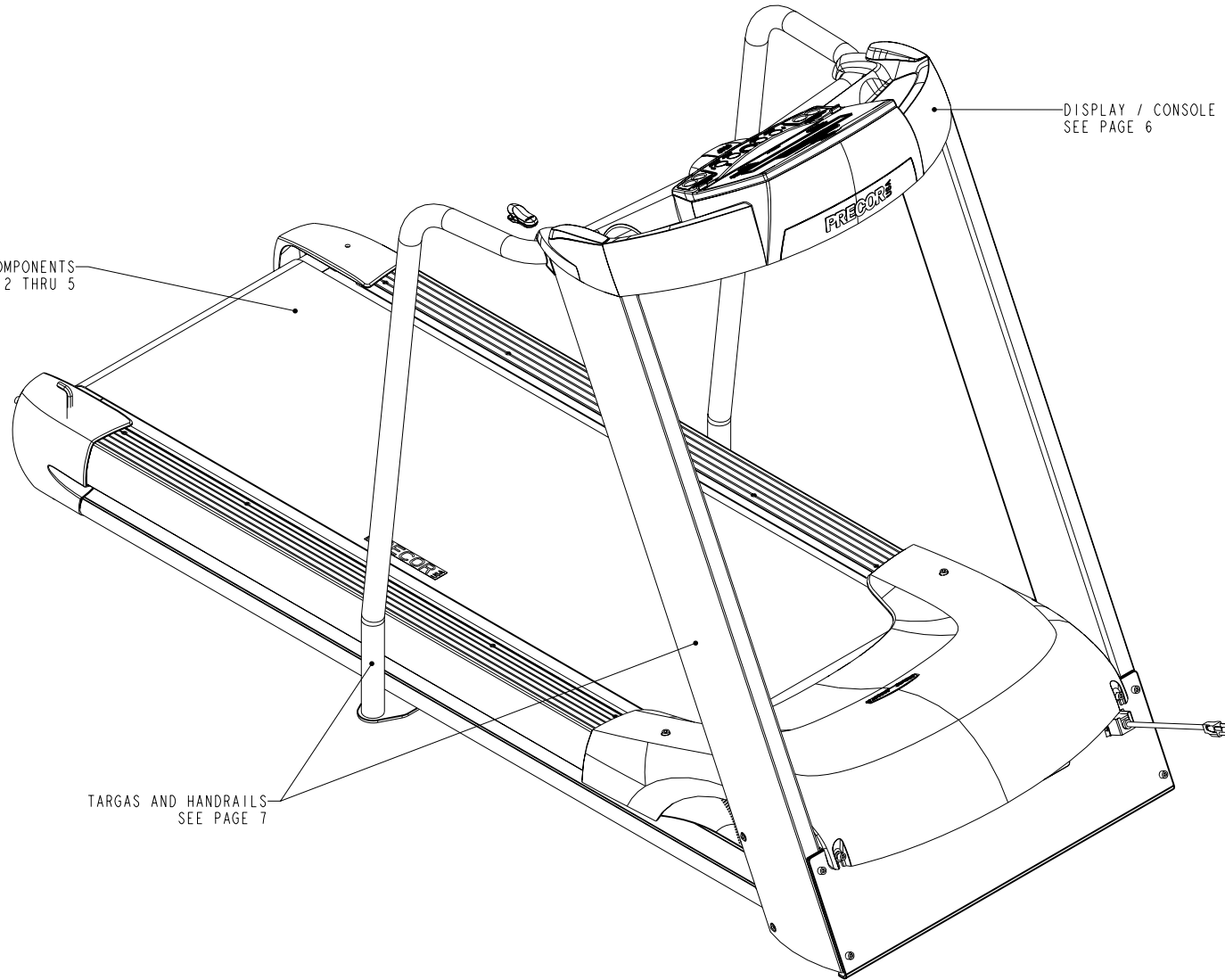


LOWER TREADMILL COMPONENTS
SEE PAGES 2 THRU 5

DISPLAY / CONSOLE COMPONENTS
SEE PAGE 6

TARGAS AND HANDRAILS
SEE PAGE 7



M9.33

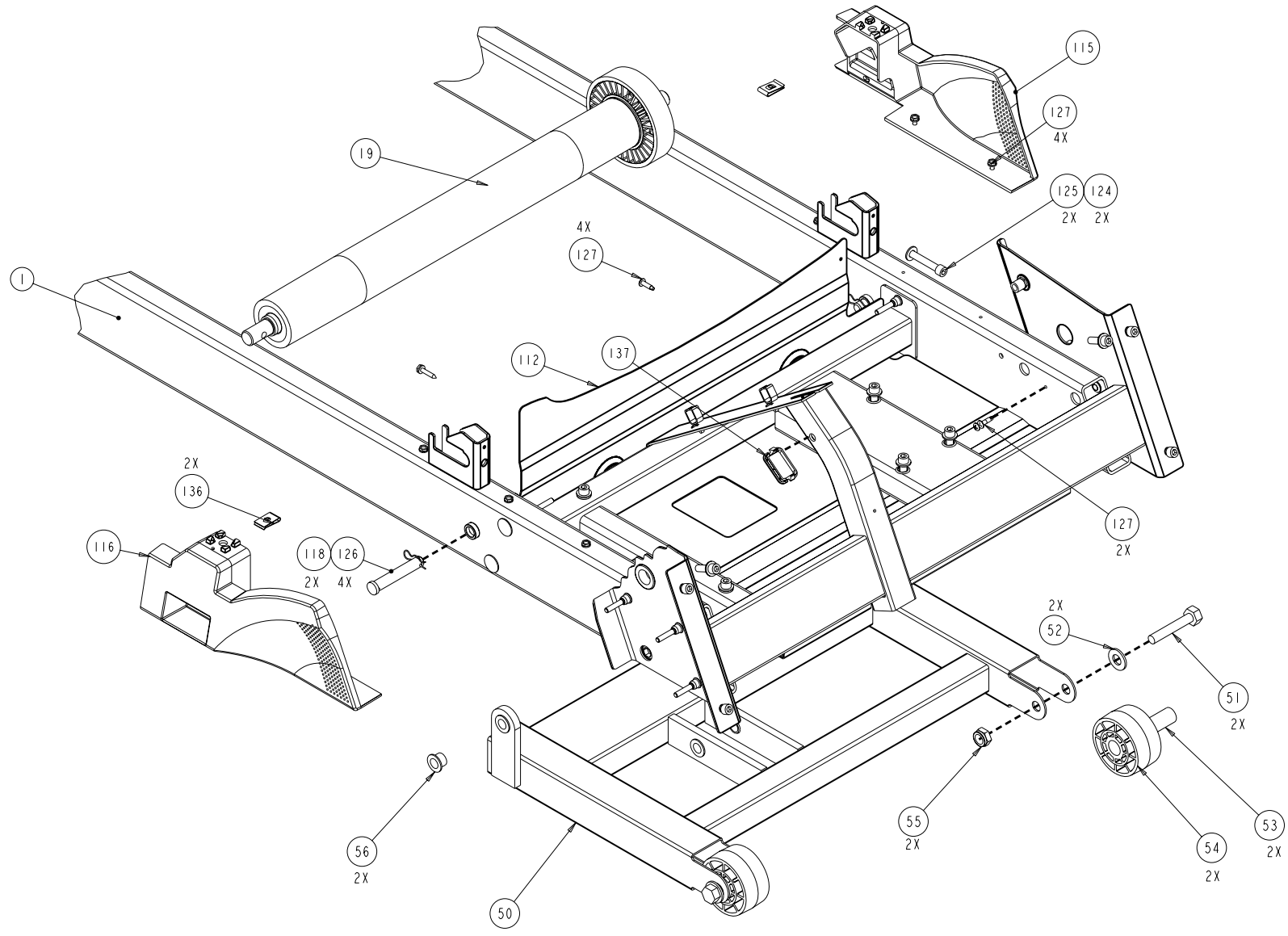
P/N 44100-101

REV: N01

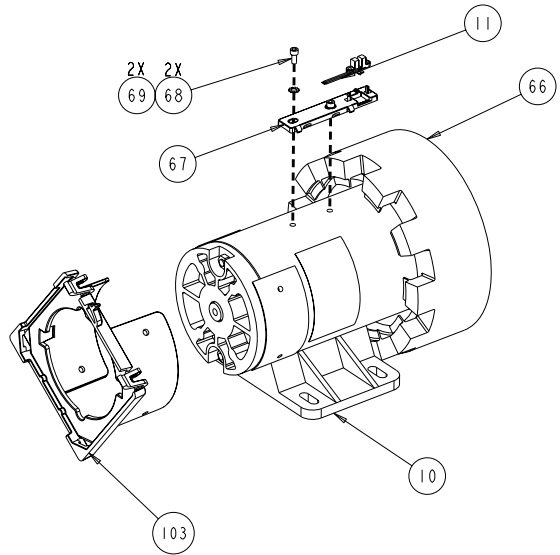
DRAWN BY: C THOMSON

DATE: 08.11.08

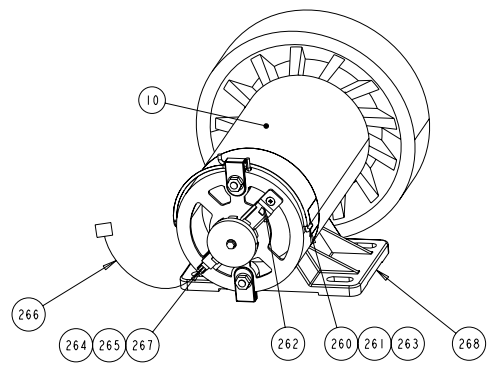
SHEET 1 OF 7



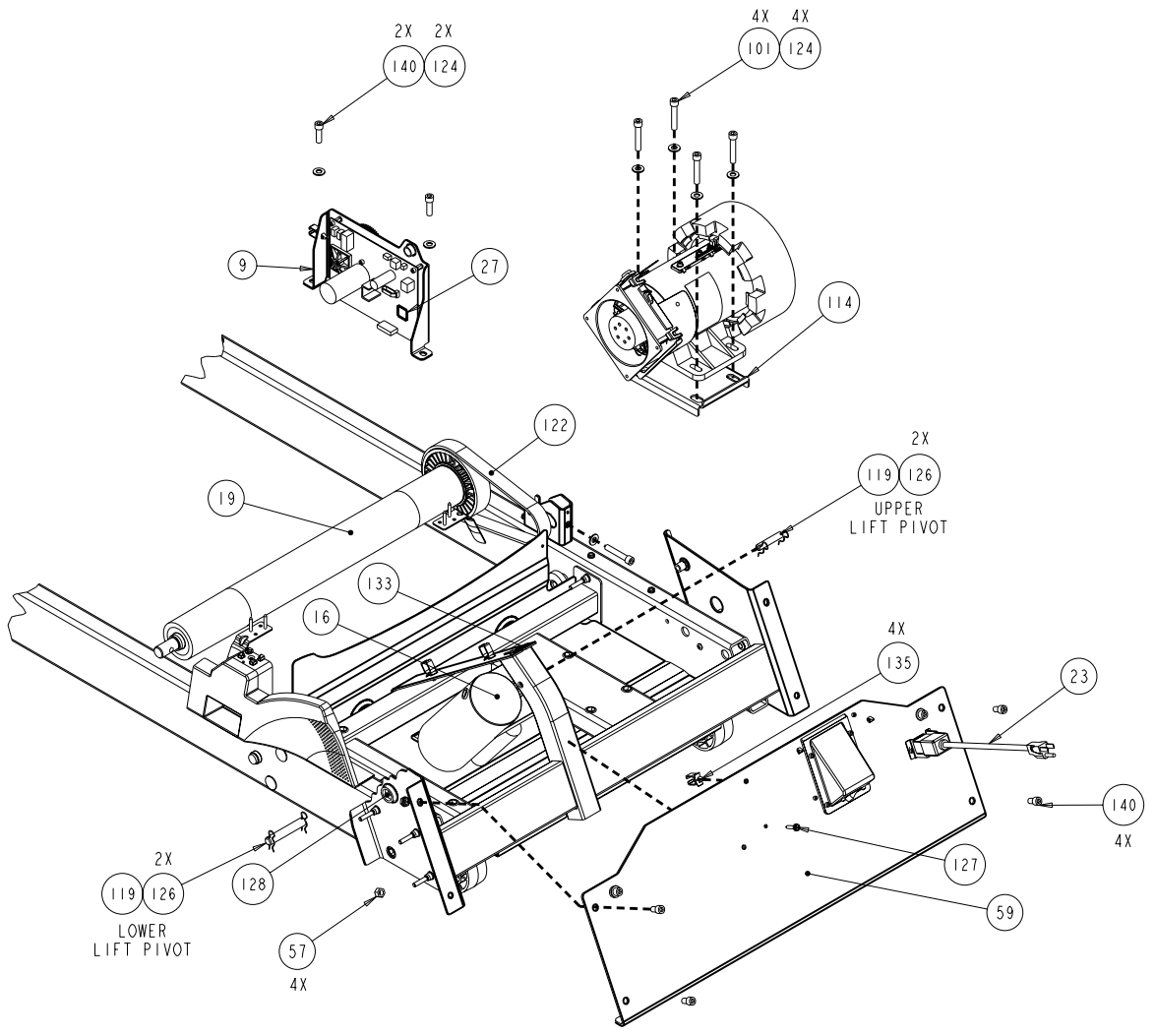
M9.33	P/N 44100-101	REV: N01
DRAWN BY: C THOMSON	DATE: 08.11.08	SHEET 2 OF 7



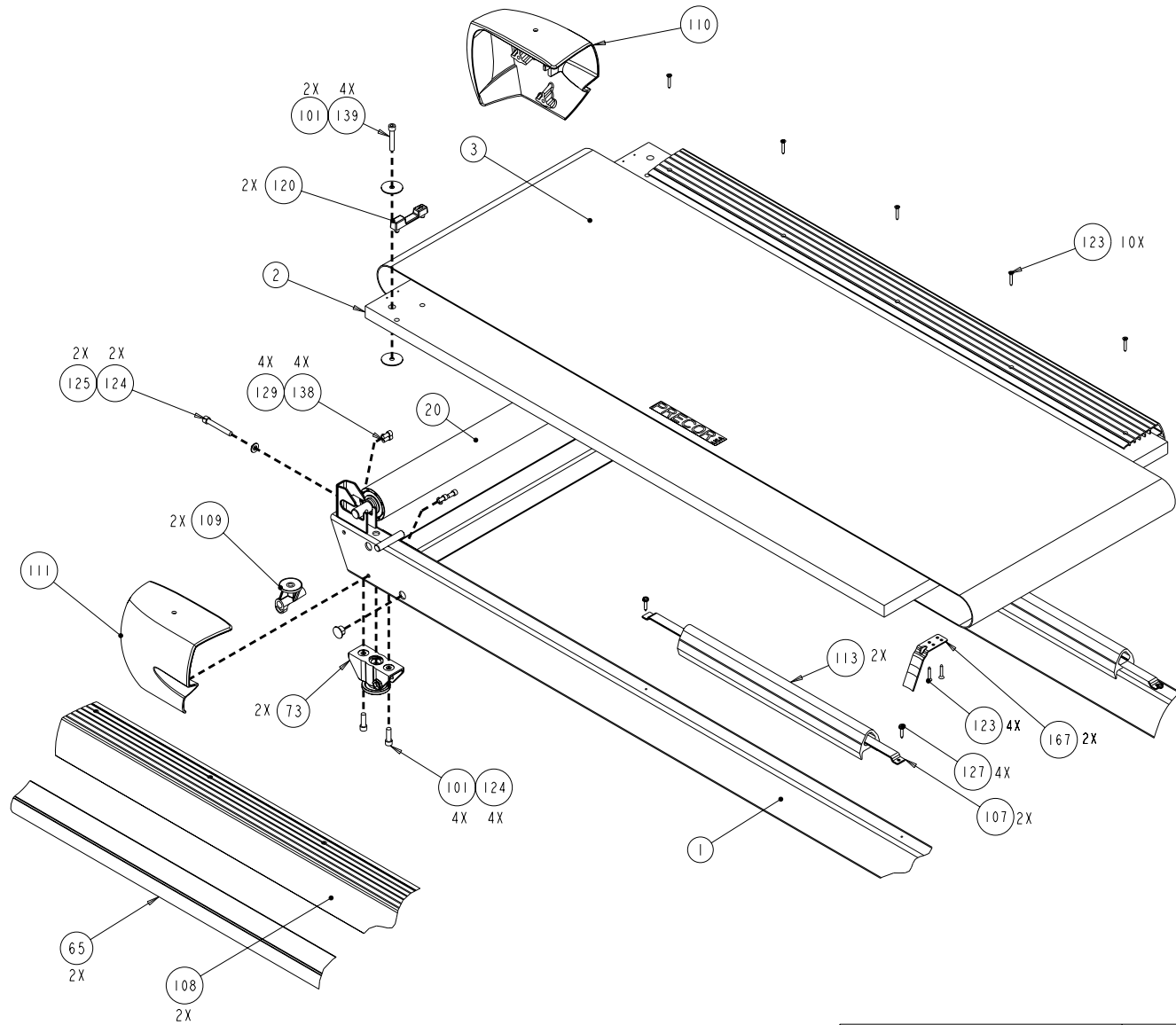
PACIFIC SCIENTIFIC MOTOR



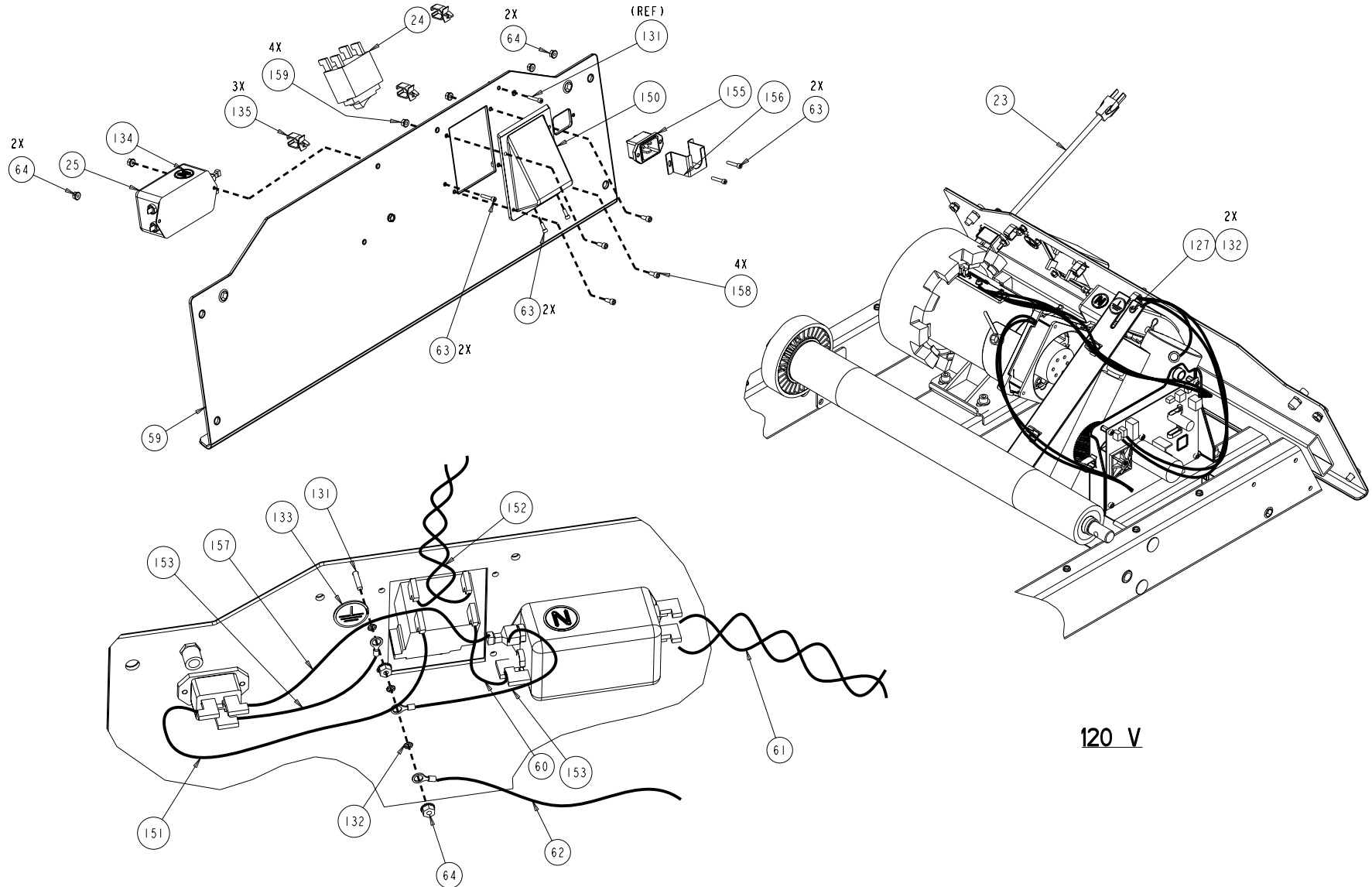
McMILLAN MOTOR



M9.33	P/N 44100-101	REV: N01
DRAWN BY: C THOMSON	DATE: 08.11.08	SHEET 3 OF 7



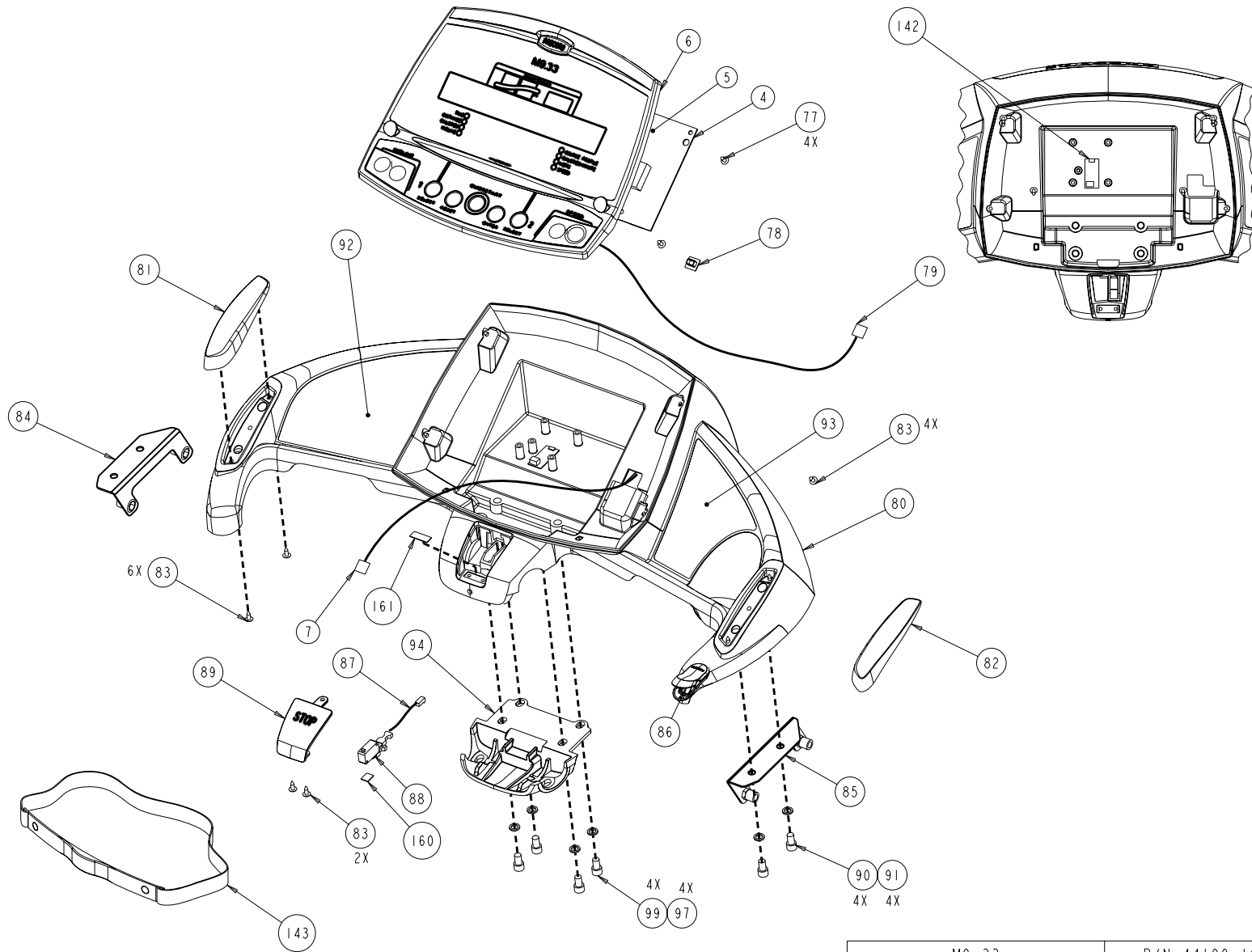
M9.33	P/N 44100-101	REV: N01
DRAWN BY: C THOMSON	DATE: 08.11.08	SHEET 4 OF 7



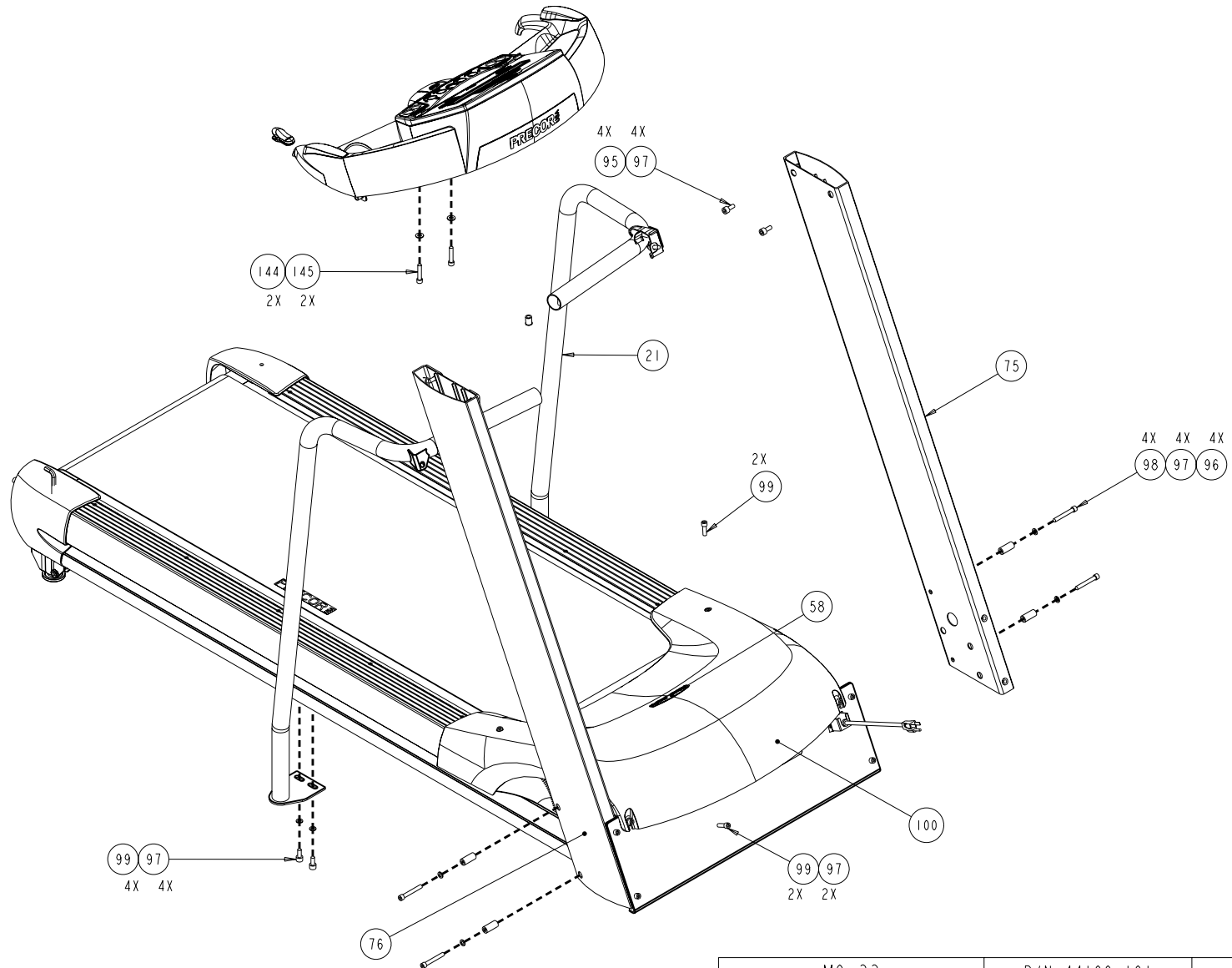
120 V

WIRING DETAIL
 SOME DETAIL REMOVED FOR CLARITY

M9.33	P/N 44100-101	REV: N01
DRAWN BY: C THOMSON	DATE: 08.11.08	SHEET 5 OF 7



M9.33	P/N 44100-101	REV: N01
DRAWN BY: C THOMSON	DATE: 08.11.08	SHEET 6 OF 7



M9.33	P/N 44100-101	REV: N01
DRAWN BY: C THOMSON	DATE: 08.11.08	SHEET 7 OF 7

9.33 (serial code EU)

Part Number	Description	Bubble Number
PPP00000044022101	ASSEMBLY, MAIN FRAME	1
PPP000000059093101	DECK WITH SHIPPER KIT	2
PPP000000036355123	RUNNING BELT, SIEGLING, 120 X 20	3
PPP000000039024505	PCA,DISPLAY,C3	4
PPP000000044036101	ASSY,PCA&SW,M9.33,UPR	4.01
PPP000000044038200	PROM,9.33,UPR,V2.00	5
PPP000000044039101	ASSY,DISPLAY,TOUCHSENSOR,M9.33, C3	6
PPP000000044905084	ASSY,CBL,MOD,8P8C,1-1,SILVER,84"	7
PPP0000000300743102	ASSEMBLY, LOWER PCA	9
PPP000000059099101	KIT, ASSY,DRIVE MOTOR,120V,MCMILLAN	10
PPP000000044064105	LIFT ACTUATOR, 120V	16
PPP000000047101101	ASSEMBLY, DRIVE ROLLER, STEEL	19
PPP000000047102101	ASSEMBLY, TAKE-UP ROLLER, STEEL	20
PPP000000044018107	WELDMENT, HANDRAIL, LEFT,PT, BLACK	21
PPP000000044018108	WELDMENT, HANDRAIL, RIGHT,PT, BLACK	22
PPP000000045657144	PWR CORD,125VAC,15A,NEMA 5-15RA/IEC	23
PPP000000010435101	CKT BRKR,250V,MAGNETIC,ROCKER,	24
PPP000000011224102	FILTER,PWR LINE,250VAC,16A	25
PPP000000045082101	TOUCH SENSOR SHIELD,9 KEY	35
PPP000000045904101	LIFT PLATFORM, W/BUSHINGS, 9.3X, C9	50
PPP00000HCTN050250	SCREW,HEX,GR 5,1/2-13X2-1/2,BLK SHA	51
PPP00000WBZN050008	WASHER, FLAT,1/2,.086 BLK CVS	52
PPP000000036192101	BUSHING, SPANNER	53
PPP000000044270101	WHEEL, LIFT	54
PPP00000KACN050019	LOCKNUT,HALF,1/2-13,ZN	55
PPP000000010043113	BEARING,FLANGE,OD=.62 ID=.5	56
PPP00000KMCN031023	NUT, HEX, 5/16-18, ZINC	57
PPP000000044152101	LABEL, GROUND EFFECTS	58
PPP000000045667101	9.3X, C936I FACEPLATE W/RIVNUTS	59
PPP000000044528006	ASSY,CBL,1 C0ND,14AWG,QK DISC,6",BR	60
PPP000000045268030	CBL,2C(1TW PR),BROWN/BLUE,250X032 Q	61
PPP000000045296030	ASSY,CBL 2COND,14AWG,QK DISC 2FLAG-	61.01
PPP000000045268030	CBL,2C(1TW PR),BROWN/BLUE,250X032 Q	61.02
PPP000000045145016	CBL,1C,14AWG,#10 RING(2X),GRN/YEL,1	62
PPP00000CCNN013038	SCREW, SKHD,6-32X3/8,SS,LK	63
PPP00000KGCN013011	LOCKNUT, STARWASHER 6-32, #6	64
PPP000000044083102	COVER, SIDERAIL	65
PPP000000044019105	ASSEMBLY, REAR FOOT, M9.3X	73
PPP000000044017103	ASSEMBLY, TARGA, LEFT	75
PPP000000044017104	ASSEMBLY, TARGA, RIGHT	76
PPP00000PGKN016050	SCREW,S/T,#8X1/2,TRS,PHIL,BLK	77
PPP000000012264101	RJ-45 TELEPHONE JACK PLUG	78
PPP000000044358501	ASSY,CBL,KEYPAD,C3-12PIN TO 9 PIN	79
PPP000000044065102	DASH, CHARCOAL GRAY	80
PPP000000044105101	HAND GRIP, CONSOLE, LEFT	81
PPP000000044105102	HAND GRIP, CONSOLE, RIGHT	82
PPP00000PGKN016050	SCREW,S/T,#8X1/2,TRS,PHIL,BLK	83
PPP000000044026101	ASSY,MOUNTING BRACKET,LEFT	84
PPP000000044026102	ASSY,MOUNTING BRACKET,RIGHT	85
PPP000000045283011	ASSY,CBL,UPPER SAFETY SWITCH,11"	87

PPP00000012259102	SWITCH,MICRO,PLUNGER,SPNC	88
PPP00000044086102	STOP BUTTON	89
PPP00000CATN031050	SCREW,SKHD,5/16-18X0.50,BLK SHARPER	90
PPP00000WEGN031007	WASHER, FLT, 5/16X.688X.065,SS, BLK	91
PPP000000044146101	LABEL, DASH, LEFT, M9.33	92
PPP000000044149101	LABEL, DASH, RIGHT, M9.33	93
PPP000000044112102	BRACKET, HANDRAIL CLAMP	94
PPP00000CCNE031100	SCREW,SKHD,5/16-18X1.00,SS,LK	95
PPP000000044060102	SPACER, TARGA BOLT, 1.360L	96
PPP00000WPNN033005	WASHER,FLT,5/16X.562X.060,SS	97
PPP00000CCNN031225	SCREW,SKHD,5/16-18X2.25,BLK ZN,LK	98
PPP00000CCNE031075	SCREW,SKHD,5/16-18X.75,SS,LK	99
PPP000000045451101	ASSEMBLY, HOOD W/ WIRING DIAGRAM	100
PPP00000CATN031175	SCREW,SKHD,5/16-18X1.75,BLK SHARPER	101
PPP000000044074105	STRAP, GFX TIE DOWN	107
PPP000000044082103	TRIM, BED, CHARCOAL GRAY	108
PPP000000044071104	PIVOT, DECK MOUNT	109
PPP000000044085101	ENDCAP, LEFT, CHARCOAL GRAY	110
PPP000000044085102	ENDCAP, RIGHT, CHARCOAL GRAY	111
PPP000000044089103	ENCLOSURE, LOWER	112
PPP000000044092102	CUSHION, GFX	113
PPP000000044097102	PLATE, MOTOR	114
PPP000000044102105	VENT, HOOD, LEFT	115
PPP000000044102106	VENT, HOOD, RIGHT	116
PPP000000044109103	PIN, LIFT PIVOT, 3.38	118
PPP000000044109102	PIN, LIFT PIVOT, 2.00	119
PPP000000044116101	BUMPER, END CAP	120
PPP000000044117103	COVER, LOWER ENCLOSURE	121
PPP000000010217132	BELT, DRIVE, 280J10 POLY V, TEM	122
PPP00000WBCN031007	WASHER,FLT,5/16X.688X.065, ZN	124
PPP00000CATN031225	SCREW,SKHD,5/16-18X2.25,BLK SHARPER	125
PPP000000010400103	PIN, HITCH, .093 DIA, ZINC, #203	126
PPP00000PKCN019075	SCREW,S/T,#10X.75,WSHHXHD,ZN	127
PPP000000010178107	BUSHING, SNAP	128
PPP00000CATN025050	SCREW,SKHD,1/4-20X0.50,BLK SHARPERI	129
PPP00000CCNN013075	SCREW,SKHD,6-32X.75L,SS	131
PPP00000WAMCN019002	WASHER, LOCK, EXT TOOTH, #10	132
PPP000000033984101	LABEL, SAFETY, GROUND SYMBOL	133
PPP000000037436101	LABEL, CHASIS NEUTRAL	134
PPP000000011278101	CABLE CLAMP,INSERT	135
PPP000000010136107	NUT RETAINER,TINNERMAN, 5/16-18	136
PPP000000045784101	GROMMET, LIFT MOTOR MOUNT, 9.3X	137
PPP00000WNKN034007	WASHER, FLT, 5/16X.500X.065,BLK ZN	138
PPP00000WABCN031006	WASHER, FEN, 5/16, ID=.331,	139
PPP00000CATN031100	SCREW,SKHD,5/16-18X1,BLK SHARPERIZE	140
PPP000000049725101	RECEIVER, WIRELESS, HEART RATE, HIG	142
PPP000000038819103	TRANSMITTER, POLAR T34, HEARTRATE,W	143
PPP00000CCNN031125	SCREW, SKHD, 5/16-18 X 1.25, SS	144
PPP00000WBCN031007	WASHER,FLT,5/16X.688X.065, ZN	145
PPP00000WEGN031007	WASHER, FLT, 5/16X.688X.065,SS, BLK	145
PPP000000044118102	BRACKET, POWER BOX	150
PPP000000044528010	CBL,1C,14AWG,250X032 QD RECP FLAG(X	151

PPP000000044532036	ASSY,CBL,2 COND,22AWG,MOLEX,36"	152
PPP000000044534008	ASSY,CBL,1COND,14AWG,QK DISC,8"	153
PPP000000045381101	IEC 16/20A POWER CORD INLET	155
PPP000000047027102	POWER CORD CLAMP, SHORT.	156
PPP000000045383012	CBL,1C,14AWG,250X032 QD RECP/250X03	157
PPP000000CATE016038	SCREW,SKHD, #8-32 X 3/8,BLK SHARPER	158
PPP000000KGCN016013	LOCKNUT, STARWASHER 8-32, HEX	159
PPP000000044170101	VHB, SPACER, SHORT	160
PPP000000042452102	BELT TRACKER	167
PPP000000044135104	HARDWARE KIT, 9.3X	200
PPP000000020002112	BRUSH, MOTOR (YP00521)	202
PPP000000010186111	WRENCH, ALLEN, 1/4, 3 X 10	204
PPP000000011075020	FUSE,200MA,250VAC,SLOW,RADIAL	205
PPP000000011075102	FUSE,1.00A,250VAC,SLOW,RADIAL	206
PPP000000011075105	FUSE,2.00A,250VAC,SLOW,RADIAL	207
PPP000000044165105	LABEL, WIRING DIAGRAM	209
PPP000000059054101	9.3X, C93X ENDCAP REPLACEMENTKIT	210
PPP000000059060101	9.3X BELT TRACKER KIT	211
PPP000000020002114	BRUSH W/ LEAD ASSY, RED, MCMILLAN S	260
PPP000000020002115	BRUSH W/ LEAD ASSY, BLACK, MCMILLAN	261
PPP000000020111101	GROUND BRUSH ASSY, MCMILLAN S3456B3	262
PPP000000020112101	BRUSH COVER, MCMILLAN S3456B3329	263
PPP000000020113101	SENSOR, TACHOMETER, MCMILLAN	264
PPP000000020114101	INTERRUPTER, 10 TOOTH, TACHOMETER,	265
PPP000000020115101	CABLE, TACHOMETER, MCMILLAN	266
PPP000000020116101	BRACKET, TACHOMETER SENSOR, MCMILLA	267
PPP000000020117101	BASE, MOTOR, MCMILLAN	268
PPP000000020118101	GROUND WIRE, 7.5 INCH, MCMILLAN	269
PPP000000059061101	9.3X POWER CORD CLAMP KIT	290
PPP000000011277111	RIVNUT, INSERT, LG DIA,5/16X18	900
PPP000000044134103	LITERATURE KIT, M9.33	999