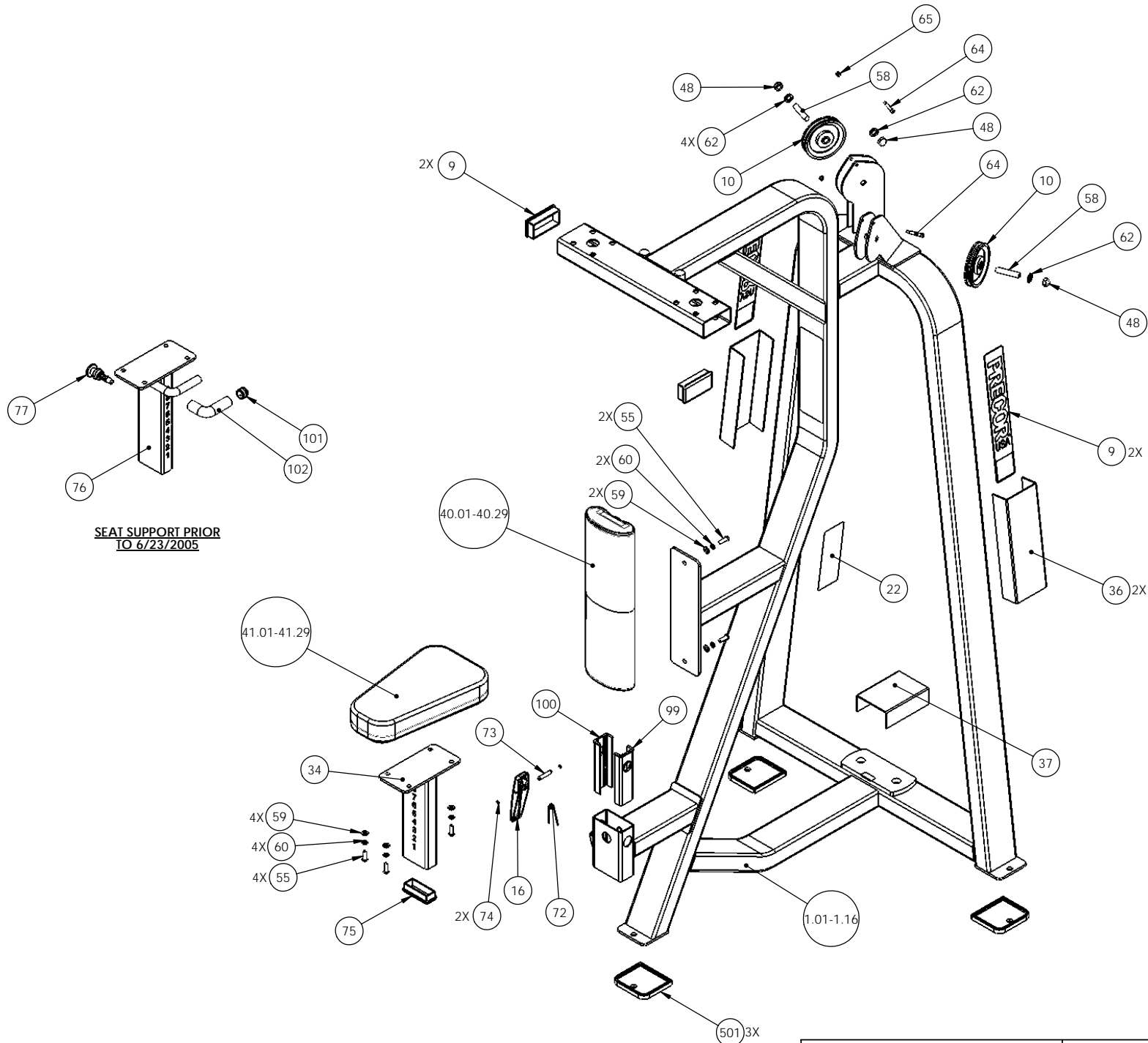
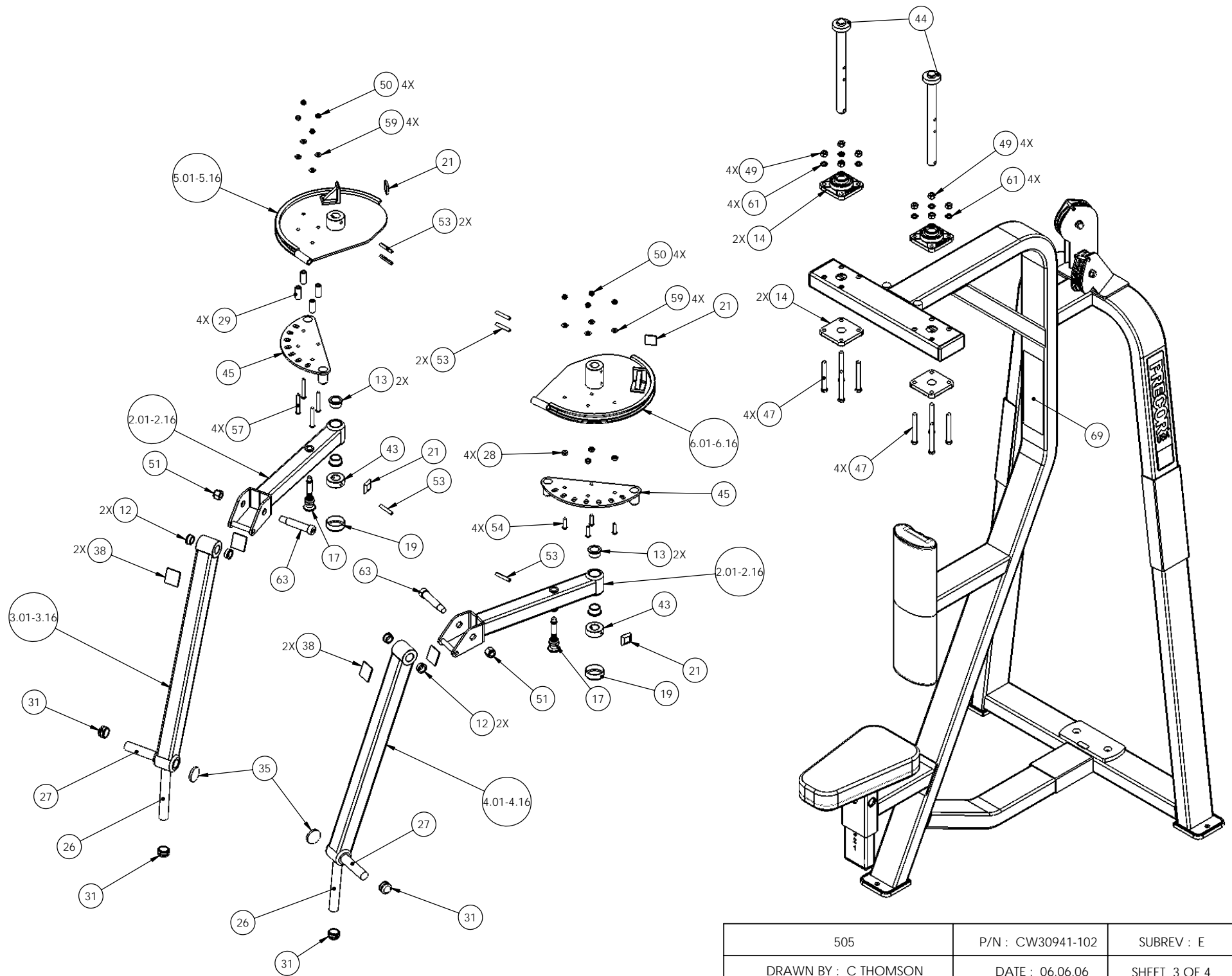


505	P/N : CW30941-102	SUBREV : E
DRAWN BY : C THOMSON	DATE : 06.06.06	SHEET 1 OF 4

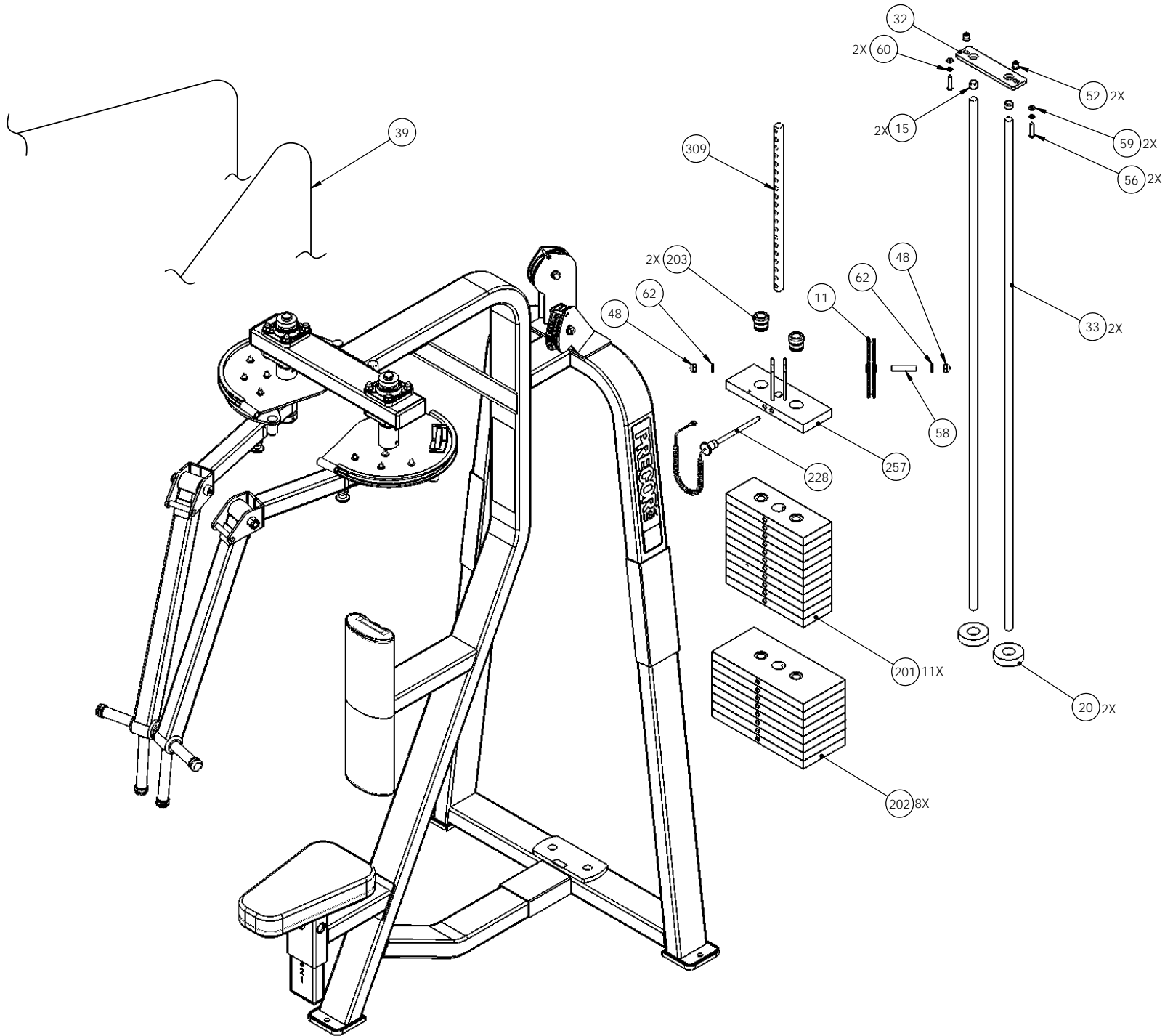


**SEAT SUPPORT PRIOR
TO 6/23/2005**

505	P/N : CW30941-102	SUBREV : E
DRAWN BY : C THOMSON	DATE : 06.06.06	SHEET 2 OF 4



505	P/N : CW30941-102	SUBREV : E
DRAWN BY : C THOMSON	DATE : 06.06.06	SHEET 3 OF 4



505	P/N : CW30941-102	SUBREV : E
DRAWN BY : C THOMSON	DATE : 06.06.06	SHEET 4 OF 4

505 Rear Delt-Pec Fly

Part Number	Description	Bubble Number
CW505SA7-212	ASSY,FRAME,MAIN,505,SKY WHITE	1.01
CW505SA7-312	ASSY,FRAME,MAIN,505,STONE HG	1.11
CW505SA7-322	ASSY,FRAME,MAIN,505,TITANIUM HG	1.12
CW505SA1-211	ASSY,UPPER ARM,505,SKY WHITE	2.01
CW505SA1-311	ASSY,UPPER ARM,505,STONE HG	2.11
CW505SA1-321	ASSY,UPPER ARM,505,TITANIUM HG	2.12
CW505SA2-211	ASSY,ARM,LEFT,505,505KS,SKY WHITE	3.01
CW505SA2-311	ASSY,ARM,LEFT,505,STONE HG	3.11
CW505SA2-321	ASSY,ARM,LEFT,505,505KS,TITANIUM HG	3.12
CW505SA3-211	ASSY,ARM,RIGHT,505,505KS,SKY WHITE	4.01
CW505SA3-311	ASSY,ARM,RIGHT,505,STONE HG	4.11
CW505SA3-321	ASSY,ARM,RIGHT,505,505KS,TITANIUM H	4.12
CW505SA5-211	ASSY,CAM,LEFT,505,SKY WHITE	5.01
CW505SA5-311	ASSY,CAM,LEFT,505,STONE HG	5.11
CW505SA5-321	ASSY,CAM,LEFT,505,TITANIUM HG	5.12
CW505SA6-211	ASSY,CAM,RIGHT,505,SKY WHITE	6.01
CW505SA6-311	ASSY,CAM,RIGHT,505,STONE HG	6.11
CW505SA6-321	ASSY,CAM,RIGHT,505,TITANIUM HG	6.12
CW30042-101	LABEL,INSTRUCTION,505	7
CWAC1001-101	LABEL, "ICARIAN", 1 1/2 X 8 1/8	8
CWAC1002-101	LABEL, "ICARIAN", 3 X 16 3/8	9
CWAC1009-101	PULLEY, 4 1/2 DIA X 1/2 ID	10
CWAC1010-101	PULLEY, 6 DIA X 1/2 ID	11
CW10043-133	BUSHING, BRONZE, 3/4" ID X 1" OD	12
CW10043-134	BUSHING, BRONZE, 1" ID X 1 1/4" OD	13
CW12405-101	PILLOW BLOCK, BEARING, FLANGE, 4 BO	14
CW12404-101	CAP, GUIDE ROD,DIA 3/4, BLK	15
CW32460-221	ASSY, RATCHETING LEVER, BLACK	16
CW30501-752	ASSY, POP PIN, LONG, 0.450 DIA NOSE	17
CW11311-102	ENDCAP, REC TUBE, 2X4, BLK PLASTIC	18
CW10514-102	CAP, VINYL DIP MOLDED, DIA 2.00	19
CW12402-101	BUMPER, ID 1.050, BLK RUBBER	20
CW12575-101	MOULDED BUMPON, BLACK, 31.75MM SQ (21
CW34822-101	LABEL, "ASSEMBLED IN THE USA"	22
CWAC1183-101	LABEL, WARNING, SERIOUS INJURY	24
CWGR2606-000	GRIP,RUBBER, 1" DIA, 6"	26
CWGR2603-125	GRIP,RUBBER, 1" DIA, 3-1/4"	27
CWGR4603-125	GRIP, RUBBER, 1.00" OD HANDLE, 3.13	27
CWAC1228-901	SPACER, ALU,.328 ID X .625 OD X .25	28
CWAC1229-901	SPACER, ALU,.328 ID X .625 OD X 1.5	29
CWAC218-901	HANDLE END CAP W/SET SCREWS, DIA 1"	31
CWPF1216-711	GUIDE ROD,3/4 X (62 5/8), (#6), CHM	33
CW32535-711	ASSEMBLY, SEAT ADJUSTMENT, 8 HOLE,	34
CWCP1046-101	CUT PIECE,CREPE,ROUND,.25 THICK,1.7	35
CW33508-101	ASSY, CUT PIECE, ABS CHANNEL,1/8 X	36
CW33583-101	ASSY, ABS BLACK CHANNEL, 1/8 X 2 X	37
CW33532-101	CUT PIECE, ABS BLACK, 1/8 X 1 3/4 X	38
CWCLHH178-500	ASSY, CABLE, 405, 505	39

CWPD1141J-101	PAD,4X19,2HOLES,W/BP,BLACK, W/SLIP	40.01
CWPD1207A-101	PAD,5X9X14.5,4HOLES,BLACK	41.01
CWPF1016-731	BAR, FLAT CR/HR, 3/8 X 2 X 8 1/4, 3	42
CWPF1256-731	TUBE,STEEL, RND, DOM, 2 OD X 1 ID X	43
CWSA1612-731	ASSY,CAM SHAFT PIVOT	44
CWSA2052-721	ASSY,CAM SELECTOR, WRKL BLK	45
CWHCYN044-375	SCREW, HEX HEAD, BLK XYLAN, 7/16-	47
CWKADLN050-081	NUT, ACORN, 1/2-13	48
CWKMYN044-038	NUT, HEX, UNC, 7/16-14, BLK XYLAN	49
CWKAYN031-025	LOCKNUT, NYLON INSERT, HALF, UNC, 5	50
CWKAYN063-075	LOCKNUT, NYLON INSERT, FULL, UNC, 5	51
CW12537-109	NUT,INSERT,THIN-NUT,LARGE FLANGE	52
CWLDNN031-200	SLOTTED PIN SPRING, DIA 5/16 X 2.00	54
CWTAYN031-125	SCREW, BUTTON HEAD, BLK XYLAN, 5/16	54
CWTAYN031-100	SCREW, BUTTON HEAD, BLK XYLAN, 5/16	55
CWTAYN031-150	SCREW, BUTTON HEAD, BLK XYLAN, 5/16	56
CWTAYN031-250	SCREW, BUTTON HEAD, BLK XYLAN, 5/1	57
CWBFNN050-250	STUD, 1/2-13 X 2 1/2	58
CWWBKN031-007	WASHER, FLAT, TYPE A, SAE, 5/16 ID	59
CWWALYN031-008	WASHER, SPLIT, 5/16 ID, BL	60
CWWALYN044-011	WASHER, SPLIT, 7/16 ID, BLK XYLAN	61
CWWALYN050-013	WASHER, SPLIT, 1/2 ID, BLK XYLAN	62
CWRANN063-300	BOLT, SHOULDER, 5/8 - 11 X 3/4 X 3	63
CWRANN019-125	BOLT, SHOULDER, 10-24 X 1/4 X 1 1/4	64
CWKDYN019-023	LOCKNUT, NYLON INSERT, FULL,UNC, 10	65
CW31756-101	LABEL, PRECOR USA ICARIAN LINE	66
CW30042-101	LABEL,INSTRUCTION,505	69
CW31784-731	STOP PLUG, BLK ZN	70
CW12634-101	SPRING, TORSION 90 DEG X 0.484 X 0.	72
CW31770-742	LATCH PIVOTING PIN, CLR ZN	73
CWAMNN028-003	RING, RETAINING, 2-TURN, SPIRAL, SS	74
CW30181-711	ASSY,SEAT SUPPORT,9 HOLE,CHM	76
CW30165-752	ASSY, POP PIN, 0.450 DIA NOSE, BLU	77
CWGR4606-000	GRIP, RUBBER, 1.00" OD HANDLE, 6.00	83
CW33626-901	GUIDE, THIN, TELESCOPING TUBE	99
CW33626-902	GUIDE, THCK, TELESCOPING TUBE	100
CWAC220-901	HANDLE END CAP W/SET SCREWS, DIA 3/	101
CWGR4805-000	GRIP, RUBBER, .75" OD HANDLE, 5.00"	102
CWAC1133-101	BUSHING, WEIGHT PLATE, LDPE PLASTIC	203
CW33870-102	ASSEMBLY, 5" WEIGHT STACK PIN & LEA	228
CW30184-901	ASSY,BARREL,TOP PLATE,ALUMINUM,SHRT	251
CW30391-721	WELDMENT, WEIGHT, TOP, MTP-S, PF118	257
CW10519-721	PLATE, WEIGHT, 20 LBS, WRKL BLK	279
CW33273-101	LABELS,WEIGHT STACK,280 LBS,20-280	399
CW33277-101	LABELS,WEIGHT STACK,300LB,20-320 LB	399
CW12537-109	NUT,INSERT,THIN-NUT,LARGE FLANGE	400
CWKAYN031-025	LOCKNUT, NYLON INSERT, HALF, UNC, 5	402
CWPF2308-721	BAR, FLAT 3/16 X 1 X (26 3/8), 4 BE	403
CWPF3143-211	SHROUD,SHEET,STEEL,4 BENDS, SKY WHI	404.01
CWPF3143-311	SHROUD,SHEET,STEEL,3/32 THICK,4 BEN	404.11
CWPF3143-321	SHROUD,SHEET,STEEL,4 BENDS, TITANIU	404.12
CWPF3144-721	SHROUD BRKT,PLATE,STEEL,1/8 THICK,1	405

CWTAYN031-100	SCREW, BUTTON HEAD, BLK XYLAN, 5/16	406
CWWALYN031-008	WASHER, SPLIT, 5/16 ID, BL	407
CWWBKN031-007	WASHER, FLAT, TYPE A, SAE, 5/16 ID	408
CWAC1177-101	FLOOR PROTECTOR, RUBBER, 4.563 X 4.	501