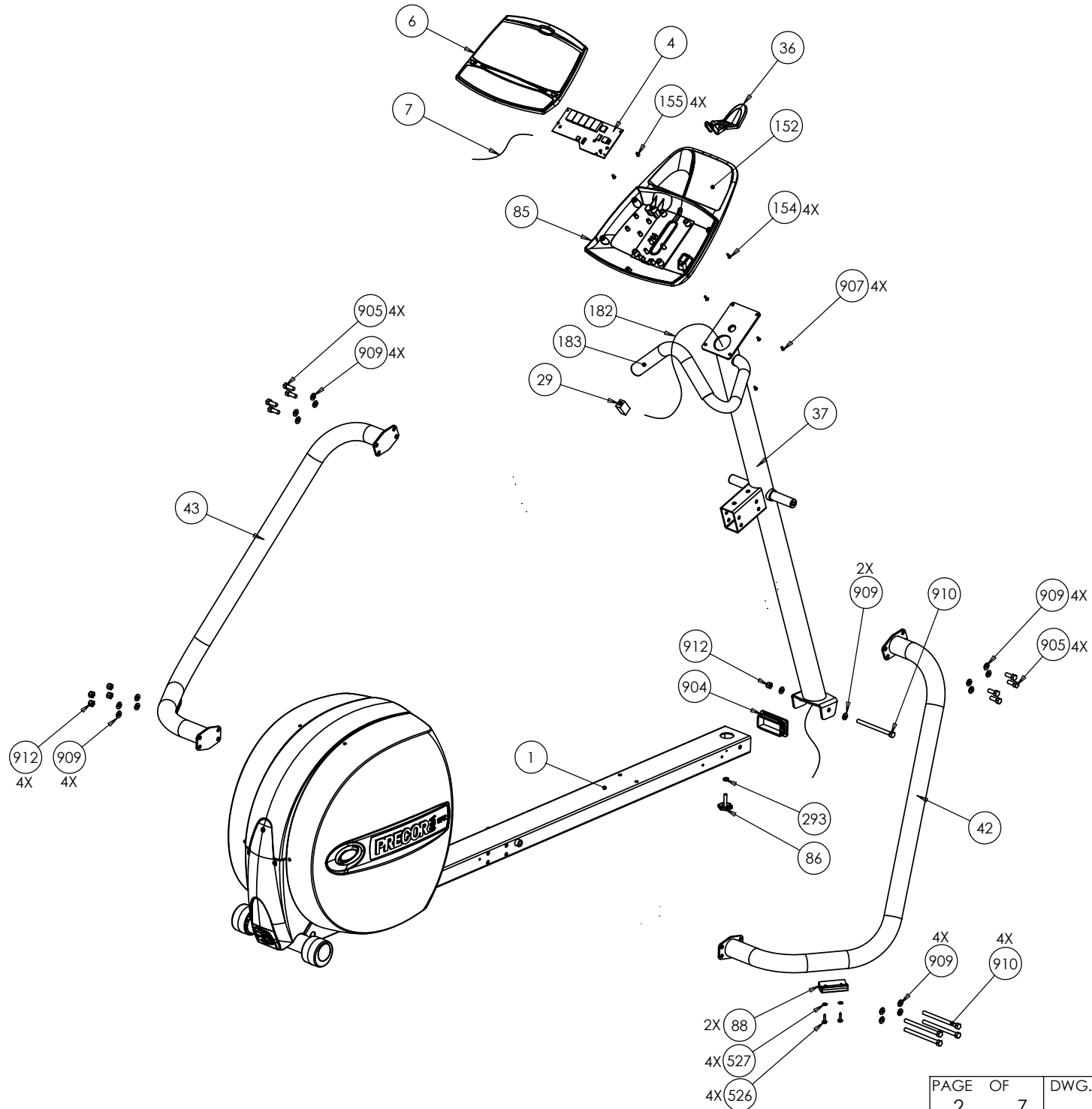
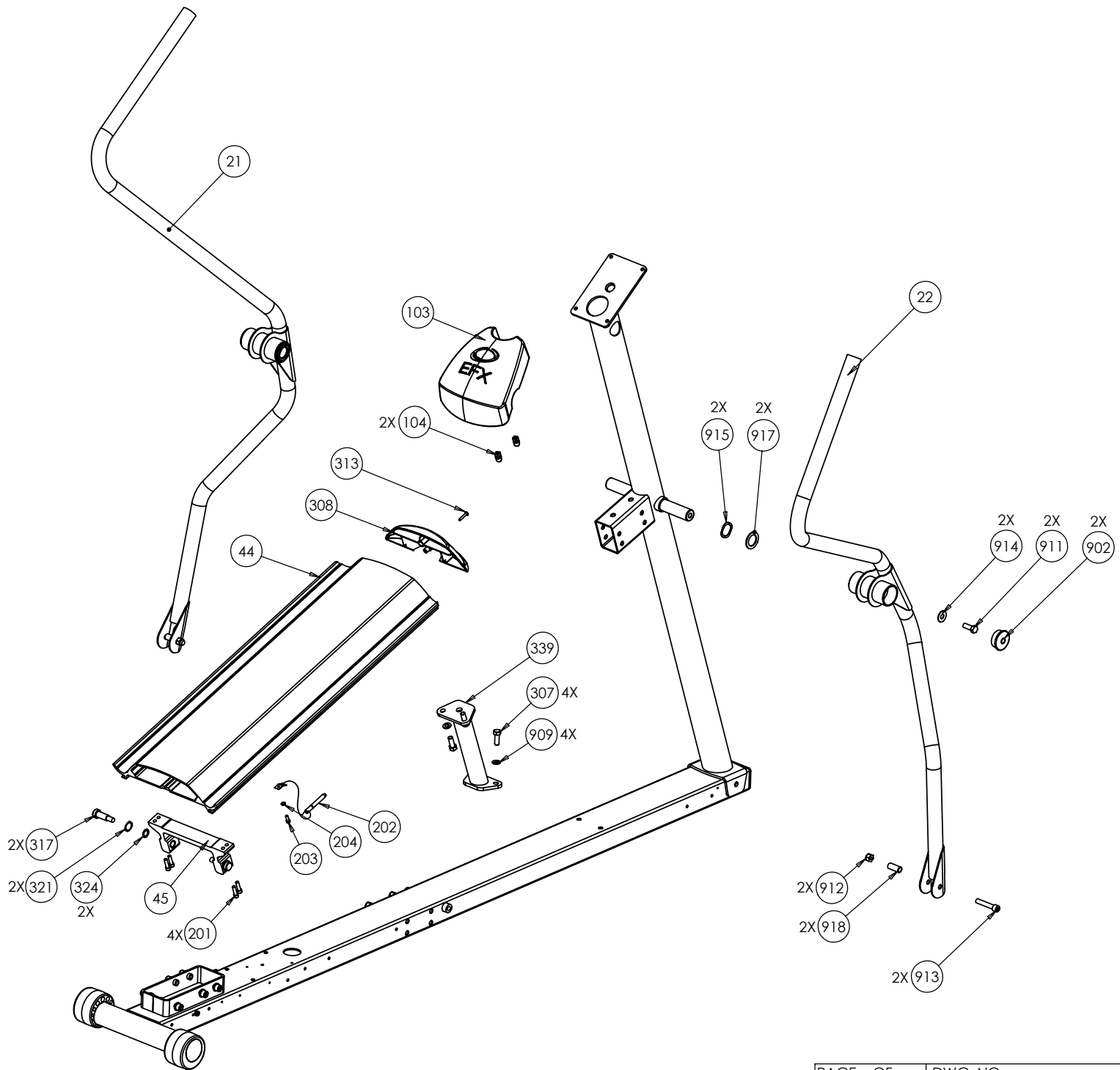
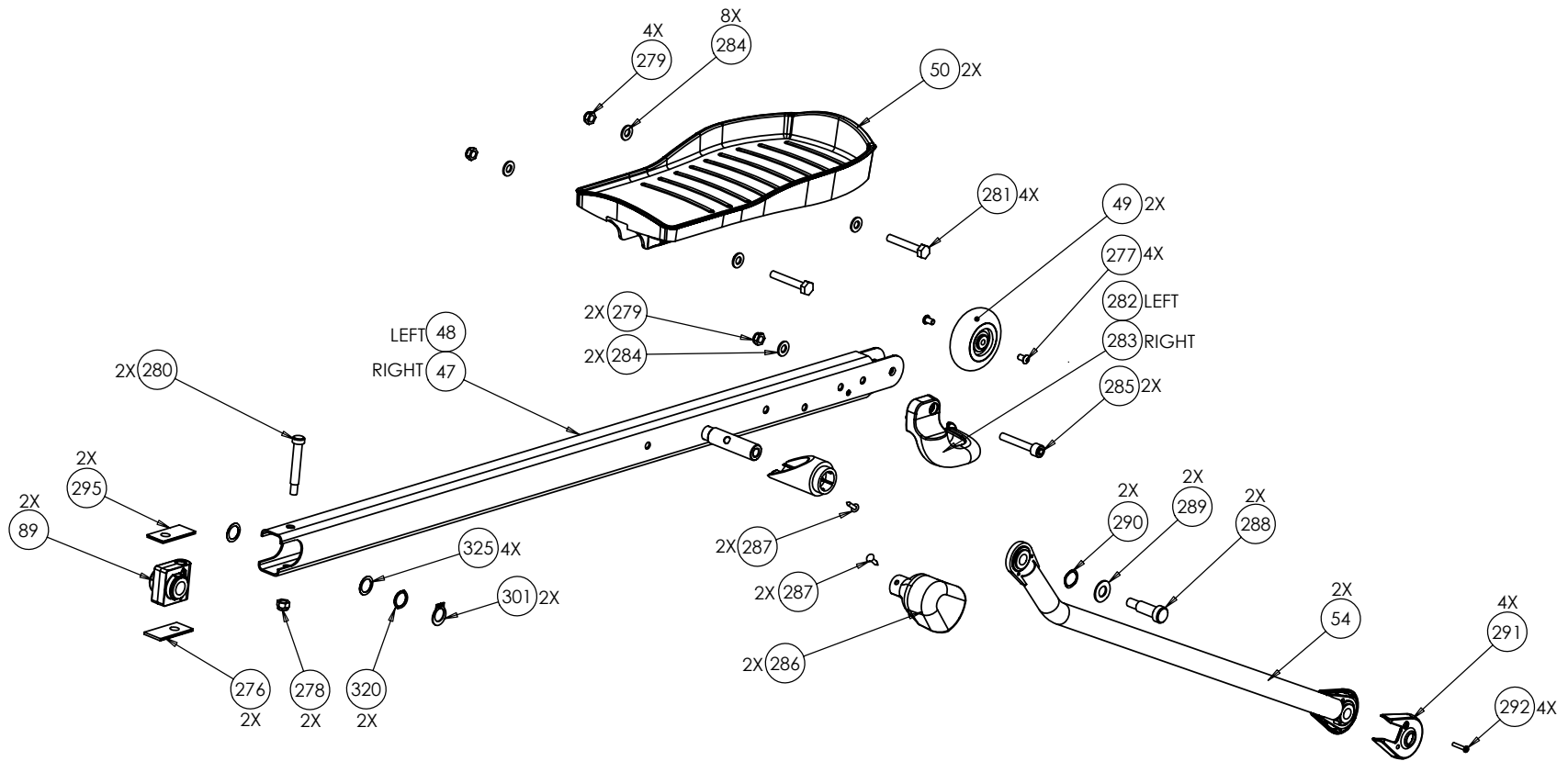


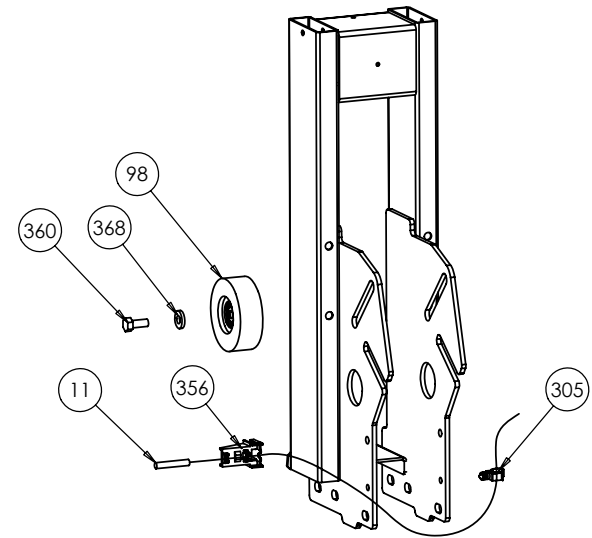
5.19	P/N : 48222-101	SUBREV : H01
DRAWN BY : C THOMSON	DATE : 26 MAY 2009	SHEET 1 OF 7











**DETAIL  
IDLE PULLEY, SWITCH,  
CLAMP PLACEMENT**

