



2ST OVERHEAD PRESS

OWNER'S MANUAL

REVISED: Nov. 6, 1998

SERIAL NO.'S

through

Contents

Parts Manual

- 1 CROSSMEMBER & SEAT FRAME ASSEMBLY
- 2 SEAT & PAD ASSEMBLY
- 3 MOVEMENT ARM ASSEMBLY
- 4 BELT & PULLEY ASSEMBLY
- 5 WEIGHT STACK ASSEMBLY
- 6 WEIGHT STACK ASSEMBLY
- 7 PARTS LIST
- 8 PARTS LIST

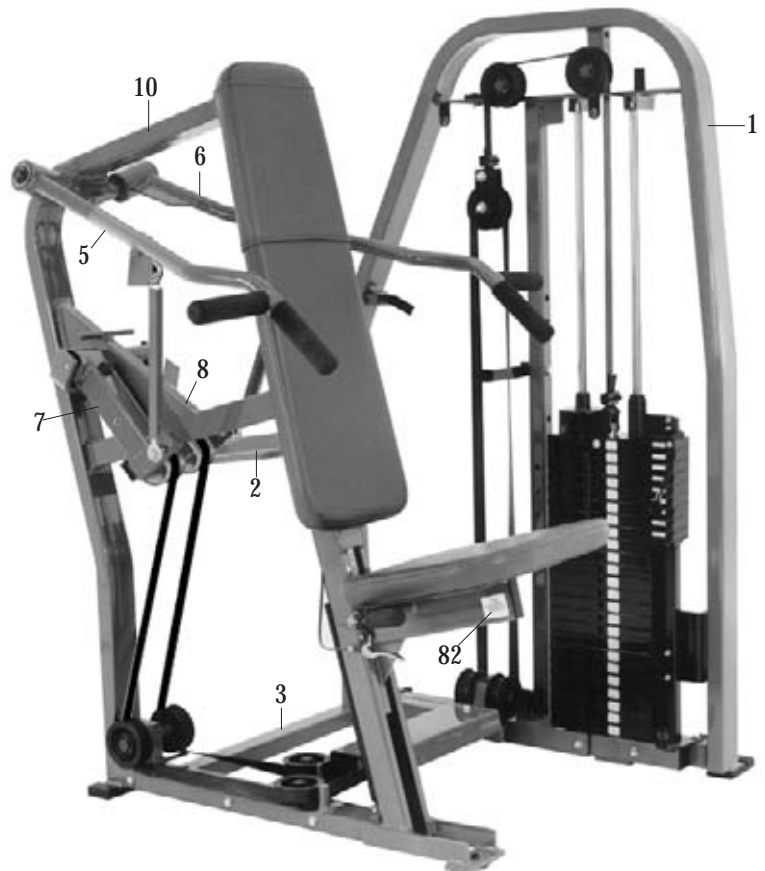
Maintenance Manual

Follows page 8

See last pages of this manual for 2ST Strength Circuit Exercise Order Diagram and 2ST Floor Plan Kit.

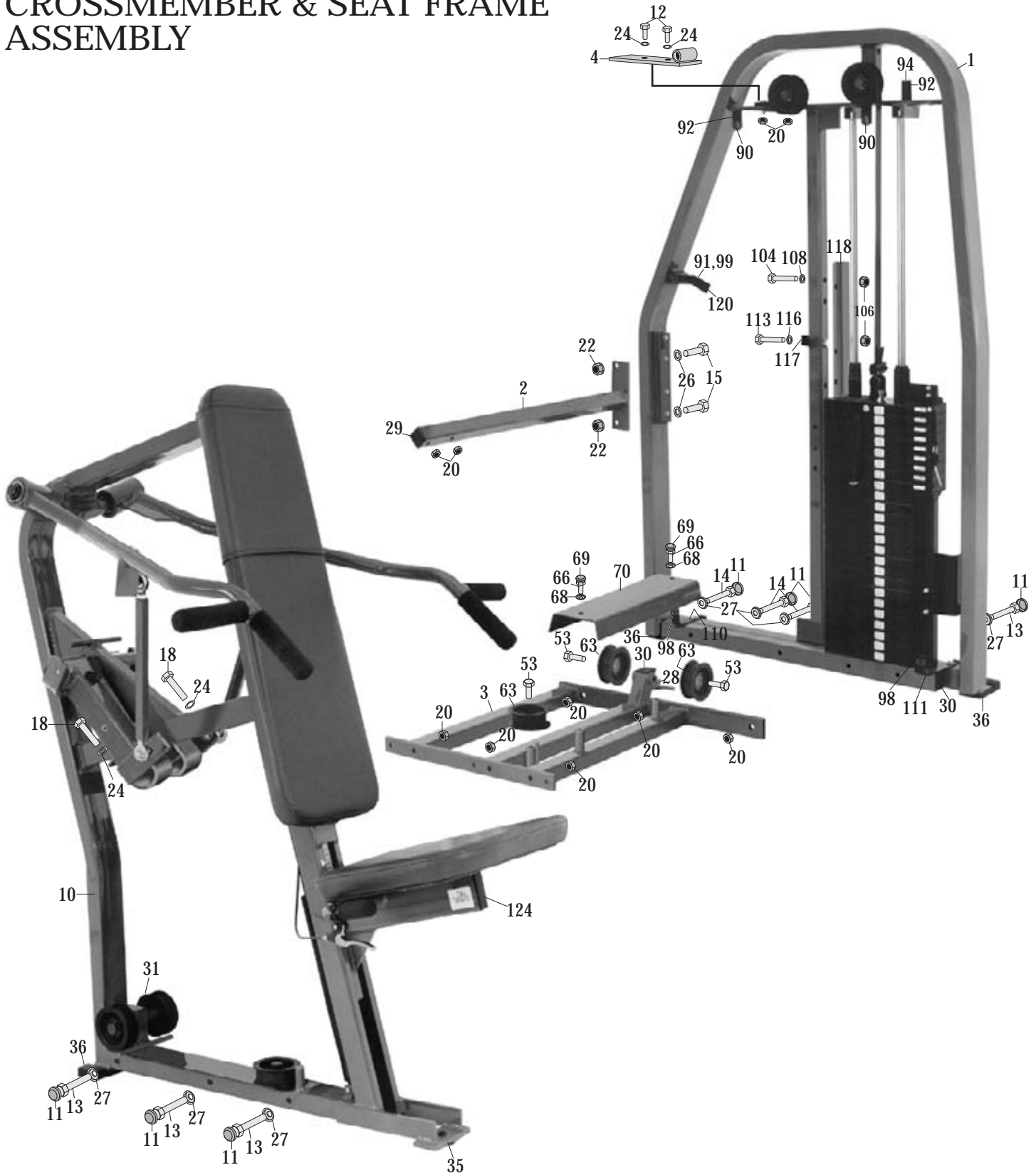


PARTS AND SERVICE
709 Powerhouse Road
Independence, Virginia 24348
800-235-2233
Fax: 540-773-2298



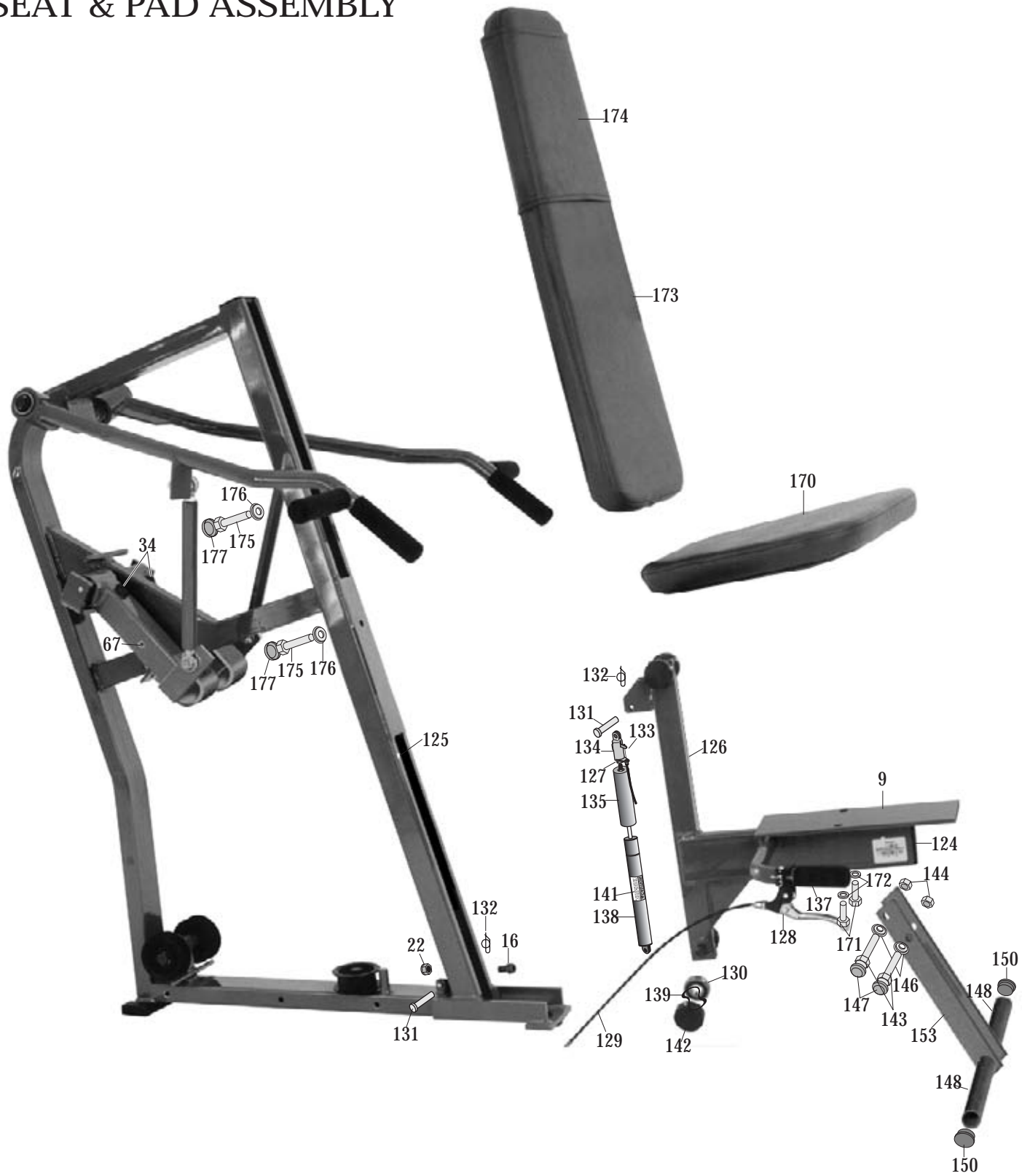
19-4928

CROSSMEMBER & SEAT FRAME ASSEMBLY

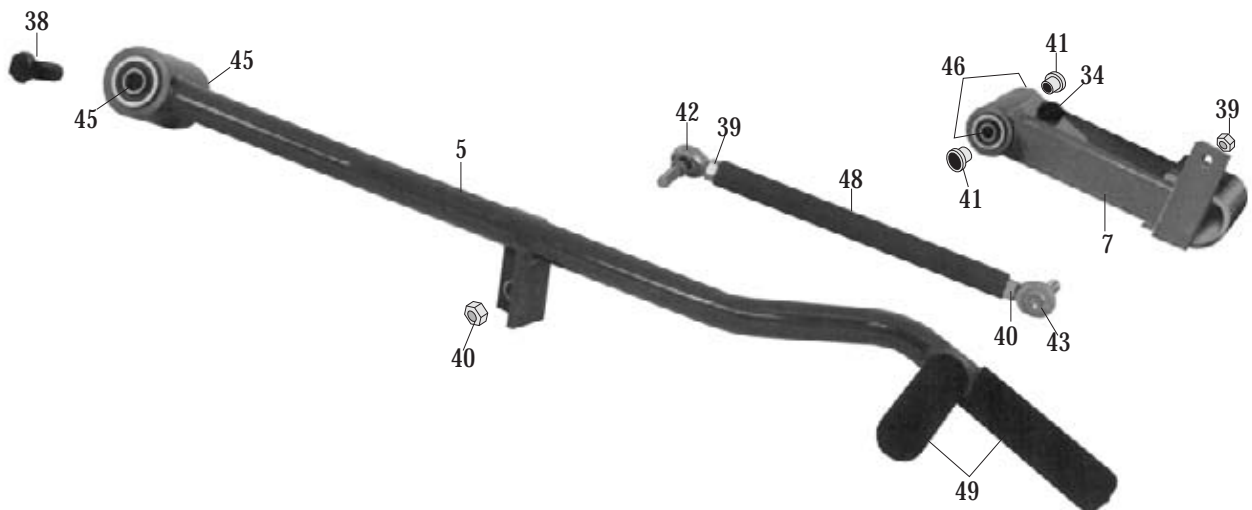


Nautilus® 2ST Overhead Press

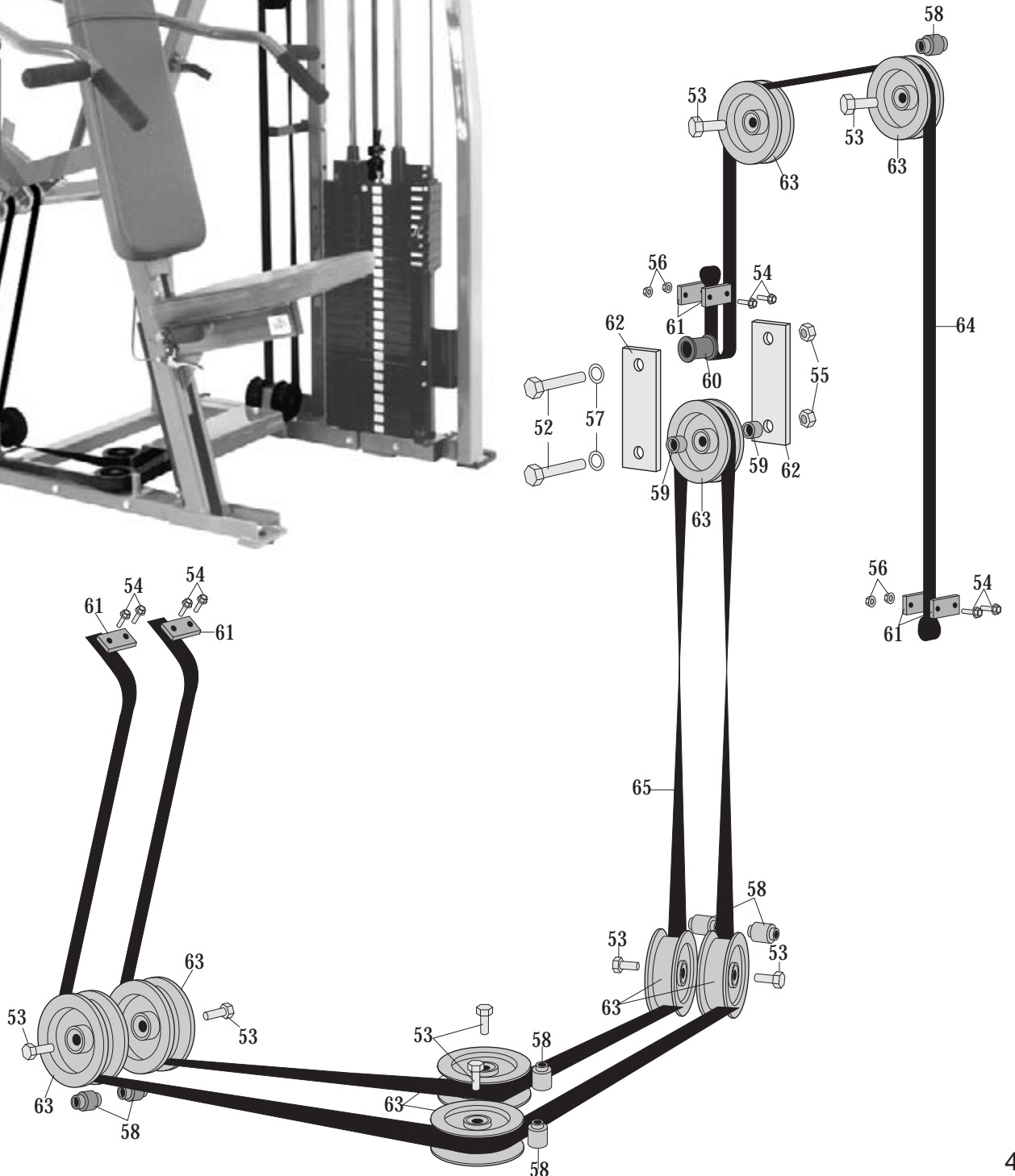
SEAT & PAD ASSEMBLY



MOVEMENT ARM
ASSEMBLY



**BELT & PULLEY
ASSEMBLY**



24 WEIGHT STACK



**USE CAUTION
WHEN WORKING
WITH WEIGHT
STACK !**

STANDARD

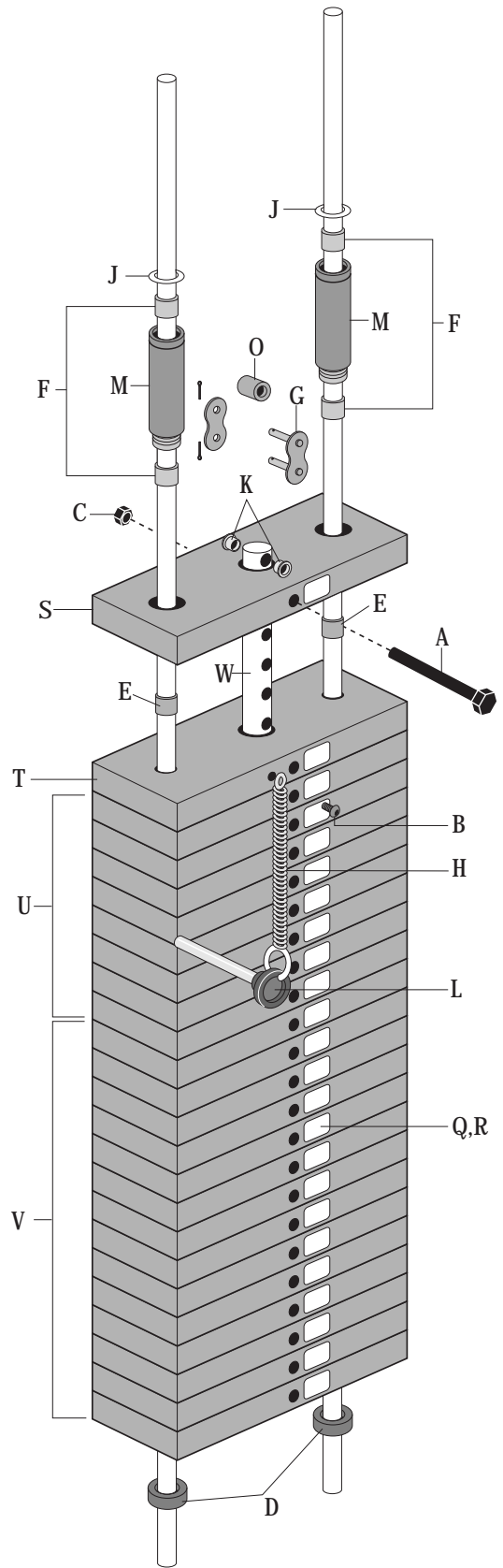
| REF # | PART # | DESCRIPTION |
|-------|---------|--|
| A | 01-0010 | 200 lb. WEIGHT STACK (20-200) |
| B | 02-9190 | BOLT HH2 7/16-14 X 4 1/2 BLACK |
| C | 03-1045 | 1/4-20 X 3/4 FLANGE BUTTON HD. SCREW |
| D | 04-5070 | NUT NTE 7/16 BLACK |
| E | 05-4020 | RUBBER WEIGHT STACK WASHER |
| F | 05-4055 | BOTTOM WEIGHT BUSHING |
| G | 06-2005 | TOP WEIGHT BUSHING |
| H | 06-7064 | CHAIN LINK #100 CONNECTING LINK |
| I | 06-8150 | COIL SUPER 6" |
| J | 06-8254 | 1 1/4 EXTERNAL SNAP RING |
| K | 07-4000 | SNAP RING 1" |
| L | 07-8296 | NYLINER PLASTIC BUSHING |
| M | 07-9268 | PIN WEIGHT SELECTOR W/MAGNET 4" LENGTH |
| N | 09-3066 | TOP WEIGHT SLEEVE |
| O | 09-6135 | HOLE PLUG 1 1/4 DIA WHITE |
| P | 12-1024 | BELT ROLLER |
| Q | 12-1052 | DECAL WARNING 3" |
| R | 12-1062 | WEIGHT STACK DECAL 20-250 lbs |
| S | 17-2204 | WEIGHT STACK DECAL 9.1 - 113.7 kg |
| T | 17-2206 | 1 X 4 X 9.330 TOP WEIGHT STEEL, 10 lbs. |
| U | 17-2203 | 1 X 4 X 9.330 SECOND WEIGHT STEEL, 10 lbs. |
| V | 17-2203 | 1 X 4 X 9.330 BOTTOM WEIGHT STEEL, 10 lbs. |
| W | 17-4115 | 1 X 4 X 9.330 BOTTOM WEIGHT STEEL, 10 lbs. |
| X | BSF509 | WEIGHT STACK PIN 24 HOLE |
| Y | 07-9269 | WEIGHT STACK STAND 8" |
| Z | 09-2060 | 3" WEIGHT STACK SPACER |
| | | 1 1/2 X 3" HOLE PLUG |

WOMEN'S/MEDICAL

| REF # | PART # | DESCRIPTION |
|-------|---------|---|
| A | 01-0010 | 130 lb. WEIGHT STACK (10-130) |
| B | 02-9190 | BOLT HH2 7/16-14 X 4 1/2 BLACK |
| C | 03-1045 | 1/4 X 1/2 PAN HD TYPE "F" SCREW BLACK |
| D | 04-5070 | NUT NTE 7/16 BLACK |
| E | 05-4020 | RUBBER WEIGHT STACK WASHER |
| F | 05-4055 | BOTTOM WEIGHT BUSHING |
| G | 06-2005 | TOP WEIGHT BUSHING |
| H | 06-7064 | CHAIN LINK #100 CONNECTING LINK |
| I | 06-8150 | COIL SUPER 6" |
| J | 06-8254 | 1 1/4 EXTERNAL SNAP RING |
| K | 07-4000 | SNAP RING 1" |
| L | 07-8296 | NYLINER PLASTIC BUSHING |
| M | 07-9268 | PIN WEIGHT SELECTOR W/MAGNET 4" LENGTH |
| N | 09-3066 | TOP WEIGHT SLEEVE |
| O | 09-6135 | HOLE PLUG 1 1/4 DIA WHITE |
| P | 12-1024 | BELT ROLLER |
| Q | 12-1056 | DECAL WARNING 3" |
| R | 12-1061 | WEIGHT STACK DECAL 10-180 lbs |
| S | 17-2210 | WEIGHT STACK DECAL 4.6 - 81 kg |
| T | 17-2212 | 1 X 4 X 9.330 TOP WEIGHT ALUM., 3.5 lbs. |
| U | 17-2211 | 1 X 4 X 9.330 SECOND WEIGHT ALUM., 3.5 lbs. |
| V | 17-2203 | 1 X 4 X 9.330 BOTTOM WEIGHT ALUM., 3.5 lbs. |
| W | 17-4115 | 1 X 4 X 9.330 BOTTOM WEIGHT STEEL, 10 lbs. |
| X | BSF509 | WEIGHT STACK PIN 24 HOLE |
| Y | 07-9269 | WEIGHT STACK STAND 8" |
| Z | 09-2060 | 3" WEIGHT STACK SPACER |
| | | 1 1/2 X 3" HOLE PLUG |

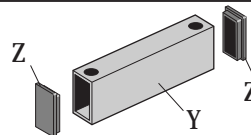
SUPER STACK

| REF# | PART # | DESCRIPTION |
|------|---------|--|
| A | 01-0010 | 290 lb. WEIGHT STACK (20-290) |
| B | 02-9190 | BOLT HH2 7/16-14 X 4 1/2 BLACK |
| C | 03-1045 | 1/4 X 1/2 PAN HD TYPE "F" SCREW BLACK |
| D | 04-5070 | NUT NTE 7/16 BLACK |
| E | 05-4020 | RUBBER WEIGHT STACK WASHER |
| F | 05-4055 | BOTTOM WEIGHT BUSHING |
| G | 06-2005 | TOP WEIGHT BUSHING |
| H | 06-7064 | CHAIN LINK #100 CONNECTING LINK |
| I | 06-8150 | COIL SUPER 6" |
| J | 06-8254 | 1 1/4 EXTERNAL SNAP RING |
| K | 07-4000 | SNAP RING 1" |
| L | 07-8297 | NYLINER PLASTIC BUSHING |
| M | 07-9268 | PIN WEIGHT SELECTOR W/MAGNET 7" LENGTH |
| N | 09-3066 | TOP WEIGHT SLEEVE |
| O | 09-6135 | HOLE PLUG 1 1/4 DIA WHITE |
| P | 12-1028 | BELT ROLLER |
| Q | 12-1028 | DECAL WARNING 6" |
| R | 12-1057 | WEIGHT STACK DECAL 20-365 lbs |
| S | 12-1064 | WEIGHT STACK DECAL 9.1 - 165.9 kg |
| T | 17-2204 | 1 X 4 X 9.330 TOP WEIGHT STEEL, 10 lbs. |
| U | 17-2207 | 1 X 6 X 9.330 SECOND WEIGHT STEEL, 15 lbs. |
| V | 17-2205 | 1 X 6 X 9.330 BOTTOM WEIGHT STEEL, 15 lbs. |
| W | 17-2205 | 1 X 6 X 9.330 BOTTOM WEIGHT STEEL, 15 lbs. |
| X | 17-4115 | 1 X 6 X 9.330 BOTTOM WEIGHT STEEL, 15 lbs. |
| Y | BSF509 | WEIGHT STACK PIN 24 HOLE |
| Z | 07-9269 | WEIGHT STACK STAND 8" |
| | 09-2060 | 3" WEIGHT STACK SPACER |
| | | 1 1/2 X 3" HOLE PLUG |



OPTION 1 NO STAND

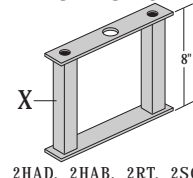
2LR, 2PF



OPTION 2

2AB, 2BP, 2CR, 2IP, 2LCP, 2LE,
2LB, 2OP, 2TP, 2LCS, 210, 2VC

OPTION 3

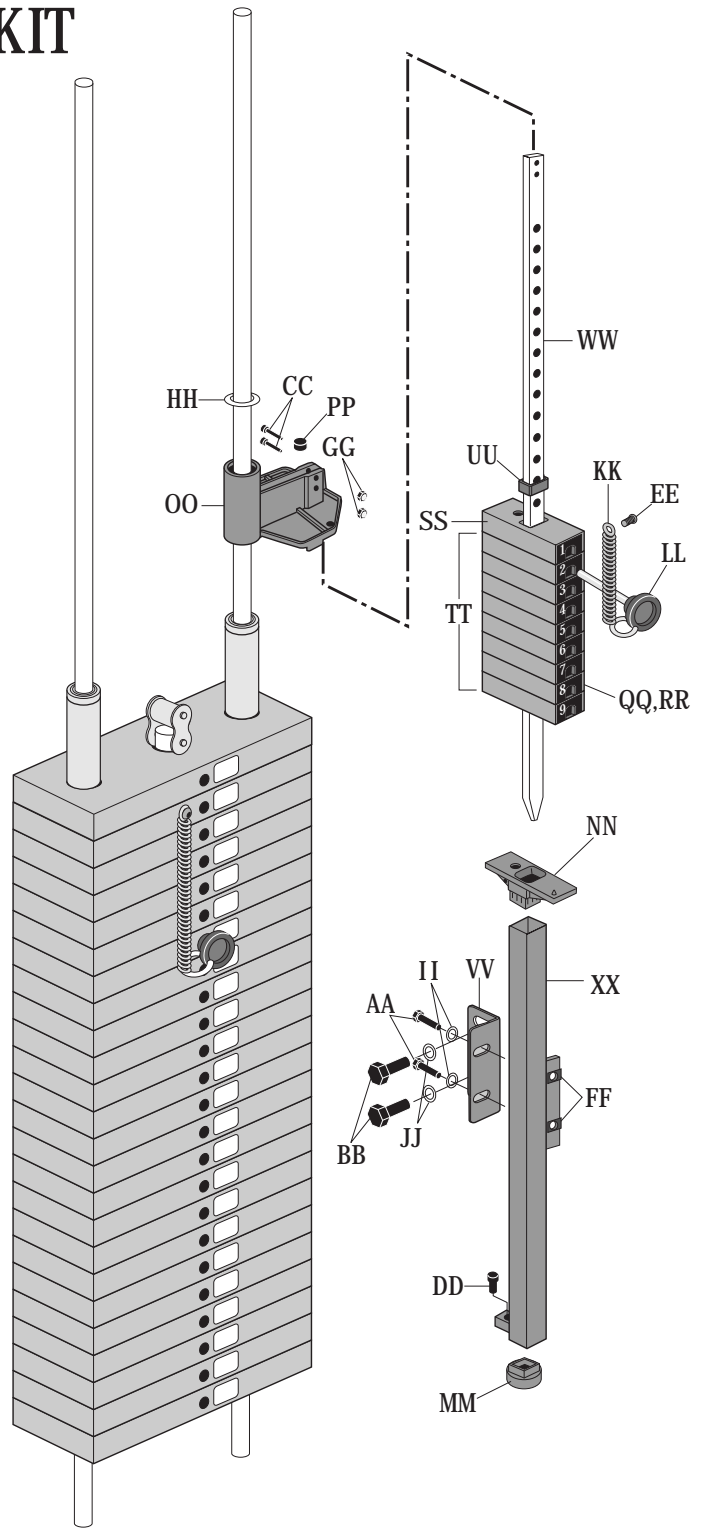


2HAD, 2HAB, 2RT, 2SC

04-29-98

MINI 24 ADD-ON WEIGHT KIT

| REF # | PART # | DESCRIPTION |
|-------|---------|---------------------------------------|
| AA | 02-4108 | 3/8-16 X 3/4 ALLEN CAP SCREW |
| BB | 01-1258 | 1/2 X 3/4 HEX BOLT BLACK |
| CC | 01-4035 | 1/4 X 1-1/4 WIZ BOLT BLACK |
| DD | 02-4110 | 3/8 X 1-1/4 ALLEN CAP SCREW |
| EE | 02-4134 | 1/4 X 1/2 PAN HD TYPE "F" SCREW BLACK |
| FF | 03-5111 | 3/8 CLIP NUT |
| GG | 03-4290 | 1/4 WIZ NUT BLACK ZINC |
| HH | 06-8150 | 1 1/4 EXT. SNAP RING |
| II | 04-5206 | 3/8 SAE FLAT WASHER BLACK |
| JJ | 04-5214 | 1/2 LOCK WASHERS BLACK |
| KK | 06-7062 | .450 OD 5" SUPER COIL |
| LL | 07-8045 | ADD ON WEIGHT SELECTOR PIN & KNOB |
| MM | 07-9245 | MOLDED WEIGHT STAND INSERT |
| NN | 07-9250 | MOLDED ADD-ON-WEIGHT BASE |
| OO | 07-9255 | MOLDED ADD-ON-WEIGHT LINK |
| PP | 09-3072 | HOLE PLUG 3/8" BLACK |
| QQ | 12-1063 | ADD ON WEIGHT DECAL KG |
| RR | 12-1066 | ADD ON WEIGHT DECAL LBS |
| SS | 17-5998 | CAST ADD-ON SECOND PLATE |
| TT | 17-5999 | CAST ONE POUND WEIGHT |
| UU | 17-6015 | RECTANGULAR WEIGHT BUSHING |
| VV | 17-6020 | ANGLE BRACKET |



OPTION 1 - NO WEIGHT STAND:
 2LR, 2PF
 WW 07-9292 SHORT MINIWEIGHT STACK PIN
 XX BSF512 SHORT MINIWEIGHT STAND

OPTION 2 - 3" WEIGHT STAND:
 2AB, 2BP, 2CR, 2IP, 2LCP, 2LE, 2LB, 2OP, 2TP, 2LC, 210, 2VC
 WW 17-4137 STANDARD MINIWEIGHT STACK PIN
 XX BSF511 STANDARD MINIWEIGHT STAND

OPTION 3 - 8" WEIGHT STAND:
 2HAD, 2HAB, 2RT, 2SC
 WW 17-4137 STANDARD MINIWEIGHT STACK PIN
 XX BSF513 TALL MINIWEIGHT STAND



**USE CAUTION
 WHEN WORKING
 WITH WEIGHT
 STACK !**

**OPTION 1
 NO STAND**

2LR, 2PF

OPTION 2

2AB, 2BP, 2CR, 2IP, 2LCP, 2LE,
 2LB, 2OP, 2TP, 2LCS, 210, 2VC

OPTION 3

2HAD, 2HAB, 2RT, 2SC

2ST OVERHEAD PRESS

E.L. CODES:

2OPS FULLY SHIELDED OVERHEAD PRESS
 2WOPS FULLY SHIELDED WOMENS' OVERHEAD PRESS
 2MOPS FULLY SHIELDED MEDICAL OVERHEAD PRESS
 2OP PARTIAL SHIELDED OVERHEAD PRESS
 2WOP PARTIAL SHIELDED WOMENS' OVERHEAD PRESS
 2SOP PARTIAL SHIELDED SUPER OVERHEAD PRESS

REF# PART# DESCRIPTION

E.L. CODE: 2OPS, 2WOPS, 2MOPS, 2OP, 2WOP, 2SOP
 WL15 WELDMENT KIT OVERHEAD PRESS
 1.....BF501.....BACK FRAME ASSEMBLY
 2.....CM524.....TOP CROSSMEMBER ASSEMBLY
 3.....CM526.....BOTTOM CROSSMEMBER ASSEMBLY
 4.....LK516.....IDLER MOUNT ASSEMBLY
 5.....MA529.....RIGHT MOVEMENT ARM ASSEMBLY
 6.....MA530.....LEFT MOVEMENT ARM ASSEMBLY
 7.....MA531.....RIGHT WEIGHT ARM ASSEMBLY
 8.....MA532.....LEFT WEIGHT ARM ASSEMBLY
 9.....SE502.....SEAT ASSEMBLY
 10.....SF509.....SEAT FRAME ASSEMBLY

E.L. CODE: 2OPS, 2WOPS, 2MOPS, 2OP, 2WOP, 2SOP
 FR13 FRAME KIT OVERHEAD PRESS
 11.....04-5145.....PLASTIC BOLT CAP
 12.....02-9220.....BOLT HH5 3/8 X 1 1/4
 13.....02-9071.....3/8 X 3-3/4 HH5
 14.....02-9074.....3/8 X 4 1/4 HH5
 15.....01-1271.....1/2 X 1 1/4 HH5
 16.....02-4115.....1/2 X 3/4 AC
 17.....02-9071.....3/8 X 3-3/4 HH5 BLACK
 18.....02-9250.....3/8 X 2-1/4 HH5 BLACK
 19.....03-1035.....NUT 3/8 NTE
 20.....03-1035.....NUT 3/8 BLACK
 21.....03-1055.....NUT 1/2 NTE
 22.....03-1055.....NUT 1/2 BLACK
 23.....04-5213.....3/8 LOC WASH
 24.....04-5213.....3/8 LOC WASH BLACK
 25.....04-5214.....1/2 LOC WASH
 26.....04-5214.....1/2 LOC WASHER BLACK
 27.....04-5135.....3/8" BOLT CAP WASHER
 28.....09-2010.....FRAME PLUG 1 1/4 SQ
 29.....09-2020.....1 1/2 SQ. HOLE PLUG
 30.....09-2040.....1 1/2 X 2 HOLE PLUG
 31.....09-2060.....1 1/2 X 3 HOLE PLUG
 32.....09-2090.....2 X 3 11 GA HOLE PLUG
 33.....09-3064.....1/2" WHITE HOLE PLUG
 34.....09-4092.....NEOPRENE BUMPERS
 35.....09-5030.....FOOTPAD MOLDED ROUND
 36.....09-5035.....FOOTPADS MOLDED RECT.
 37.....12-1001.....SEAT POSITION ARROW

E.L. CODE: 2OPS, 2WOPS, 2MOPS, 2OP, 2WOP, 2SOP
 LN05 LINKAGE KIT OVERHEAD PRESS
 38.....01-2180.....BOLT HH5 5/8 X 1 1/2
 39.....03-5114.....STANDARD 1/2-20 RIGHT HAND THREAD NUT
 40.....03-5115.....STANDARD 1/2-20 LEFT HAND THREAD NUT
 41.....05-6095.....6203 BNG BUSHINGS
 42.....06-9030.....SEALMASTER ROD ENDS DELRIN RH THREADS
 43.....06-9032.....SEALMASTER ROD ENDS DELRIN LH THREADS
 44.....07-1070.....7510 ROLLER BNGS
 45.....07-1250.....30MM ROLLER BNGS
 46.....07-5065.....203 PP BEARINGS 17MM
 47.....07-9002.....WA SHAFT
 48.....07-9283.....DRAG LINKS (RH & LH THREADS)
 49.....09-1105.....GRIP HAND 1 1/8 X 5 CLOSED END
 50.....09-3030.....7/8 DIA HOLE PLUG
 51.....09-3040.....1 DIA HOLE PLUG

REF# PART# DESCRIPTION

E.L. CODE: 2OPS, 2WOPS, 2MOPS, 2OP, 2WOP, 2SOP
 BLT15 BELT & PULLEY KIT OVERHEAD PRESS
 52.....01-1321.....BOLT HH5 1/2 X 2 1/2
 53.....01-2180.....BOLT HH5 5/8 X 1 1/2 BLACK
 54.....01-4030.....1/4 X 1 WHIZ FLANGE SM PATTERN BLACK
 55.....03-1055.....1/2 NTE
 56.....03-4290.....1/4-20 WHIZ FLANGE L/N SM PATTERN BLACK
 57.....04-5214.....1/2 LOK WASHER
 58.....06-5045.....ANTI-JUMP ROLLER
 58A.....07-5072.....ANTI-JUMP ROLLER SPACER
 59.....07-8363.....IDLER PULLEY SPACER
 60.....07-8366.....BELT ANCHOR TUBE
 61.....07-8982.....END STRAP CLAMP W/5/16 HOLES
 62.....07-9079.....IDLER PLATES
 63.....09-8327.....3" PULLEY
 64.....24-6030.....KEVLAR BELT 66" LONG
 65.....24-6030.....KEVLAR BELT 224" LONG

E.L. CODE: 2OPS, 2WOPS, 2MOPS, 2OP, 2WOP, 2SOP
 SH40 SHIELD KIT OVERHEAD PRESS
 66.....02-9210.....BOLT HH5 3/8 X 1
 67.....03-4040.....1/4-20 X 5/8 REV NUT (BRASS)
 68.....04-5135.....3/8" BOLT CAP WASHER
 69.....04-5145.....PLASTIC BOLT CAP
 70.....07-9148.....SHEET METAL SHIELD
 71.....12-2778.....PLACARD OVERHEAD PRESS
 72.....12-1026.....KEEP HANDS AWAY
 73.....14-2127.....RIGHT MA SHIELD
 74.....14-2128.....LEFT MA SHIELD
 75.....19-4928.....PARTS DIAGRAM OVERHEAD PRESS
 76.....02-4070.....SCREW SHIELD 1/4 X 3/4

E.L. CODE: 2OPS, 2WOPS, 2MOPS, 2OP, 2WOP, 2SOP
 GR01 GUIDE ROD KIT 1
 77.....07-9269.....3" WEIGHTSTACK SPACER
 78.....09-2060.....FRAME PLUG 1 1/2 X 3 11 GA
 79.....17-1375.....GUIDE RODS 51 15/16 LONG

E.L. CODE: 2OPS, 2MOPS, 2OP, 2SOP
 IN01 INSPECTION KIT
 80.....12-1080.....INSPECTION STICKER DECAL
 81.....12-1088.....DECAL NAUTILUS NAMEPLATE 2 1/2 x 9 1/4 long
 82.....19-1291.....DECAL SERIAL # BAR CODE
 83.....40-7167.....BAG 50 X 46 X 86 X .002 THICK

E.L. CODE: 2WOPS, 2WOP
 IN03 INSPECTION KIT WOMENS
 84.....12-1080.....INSPECTION STICKER DECAL
 85.....12-1175.....NAUTILUS WOMENS NAMEPLATE 2 1/2 x 9 1/4
 86.....19-1291.....DECAL SERIAL # BAR CODE
 87.....40-7167.....BAG 50 X 46 X 86 X .002 THICK

E.L. CODE: 2OP, 2WOP, 2SOP
 SH02 OUTER PARTIAL SHIELD BF501 KIT
 88.....02-4070.....SCREW SHIELD 1/4 X 3/4
 89.....02-4074.....SCREW TRUSS 1/4 X 1/2
 90.....03-4060.....1/4-20 CLIP NUT
 91.....07-9137.....FRONT FRAME WORKBOX BRACKET
 92.....07-9138.....UPPER MAIN FRAME SHIELD BRACKET
 93.....19-1015.....2" SQ SERIES 170 DUAL LOC
 94.....19-1016.....1 X 2 RECT. SERIES 400 DUAL LOC
 95.....14-2074.....SHIELD 2ST OUTER BF501

E.L. CODE: 2OPS, 2WOPS, 2MOPS
 SH03 OUTER SHIELD BF501 KIT
 96.....02-4070.....SCREW SHIELD 1/4 X 3/4
 97.....02-4074.....SCREW TRUSS 1/4 X 1/2
 98.....03-4060.....1/4-20 CLIP NUT
 99.....07-9137.....FRONT FRAME WORKBOX BRACKET

| REF# | PART# | DESCRIPTION |
|------|-------------------|--|
| 100 | 07-9138 | UPPER MAIN FRAME SHIELD BRACKET |
| 101 | 19-1015 | 2" SQ SERIES 170 DUAL LOC |
| 102 | 19-1016 | 1 X 2 RECT. SERIES 400 DUAL LOC |
| 103 | 14-2011 | SHIELD OUTER BF501 |
| | <i>E.L. CODE:</i> | 2OPS, 2WOPS, 2MOPS |
| | SH17 | INNER SHIELD HARDWARE KIT 3 |
| 104 | 01-1402 | BOLT HH5 1/2 X 2 1/4 |
| 105 | 02-4134 | 1/4 X 1/2 PAN HD. TYPE "F" CUTTING SCREW |
| 106 | 03-1055 | 1/2 NTE |
| 107 | 03-4060 | 1/4-20 CLIP NUT |
| 108 | 04-5214 | 1/2 LOK WASHER |
| 109 | 07-5422 | MOUNT SHIELD LEFT LOWER |
| 110 | 07-9135 | BRACKET SMALL LOWER BASE SHIELD |
| 111 | 07-9136 | BRACKET LARGE LOWER BASE SHIELD |
| 112 | 02-4070 | SCREW SHIELD 1/4 X 3/4 |
| | <i>E.L. CODE:</i> | 2OP, 2WOP, 2SOP |
| | SH23 | INNER PARTIAL SHIELD KIT 3 |
| 113 | 01-1402 | BOLT HH5 1/2 X 2 1/4 |
| 114 | 03-1055 | 1/2 NTE |
| 115 | 03-4060 | 1/4-20 CLIP NUT |
| 116 | 04-5214 | 1/2 LOK WASHER |
| 117 | 07-9004 | SHIELD MOUNT CENTER |
| 118 | 07-9274 | 16GA SHEET METAL 2ST SHIELD SHROUD |
| 119 | 19-1015 | 2" SQ SERIES 170 DUAL LOC |
| 120 | 19-1016 | 1 X 2 RECT. SERIES 400 DUAL LOC |
| 121 | 02-4070 | SHIELD SCREWS |
| 122 | 14-2078 | INSIDE MAIN SHIELD |
| | <i>E.L. CODE:</i> | 2OPS, 2OP, 2SOP |
| | ST06 | SEAT KIT 1 |
| 123 | 09-3063 | 7/16" WHITE HOLE PLUG |
| 124 | 09-3080 | 1 X 3 HOLE PLUG |
| 125 | 12-1001 | SEAT POSITION INDICATOR ARROW |
| 126 | 12-1009 | SEAT DECAL 1 BOTTOM -10 TOP (5/8 WIDE) |
| 127 | 03-5106 | NUT HEX 10MM |
| 128 | 06-8000 | SEAT ADJUSTMENT HANDLE 7/8" |
| 129 | 06-8006 | SEAT ADJUSTMENT CABLE, 18" |
| 130 | 07-5065 | BEARING FAFNIR 203 PP |
| 131 | 07-8027 | PIN CLEVIS 5/16 X 1 3/16 |
| 132 | 07-8135 | COTTER PIN #RUE-10 mfg. PIVOT POINT |
| 133 | 07-9201 | SHOCK LEVER P/N 783234 |
| 134 | 07-9205 | HEAD THREAD ON CAST ALUM |
| 135 | 07-9298 | GAS SPRING COVER TUBE |
| 136 | 07-9299 | GAS SPRING COVER PLUG |
| 137 | 09-1058 | RUBBER HAND GRIP, 7/8 X 4 1/2 |
| 138 | 10-3045 | RIGID IN COMPRESSION, 250 N #7613IL |
| 139 | 10-4012 | 40 MM O.D. WAVE SPRING SSB-0158-S17 |
| 140 | 12-1109 | SEAT SHOCK ADJ. TAG |
| 141 | 12-1113 | SHOCK WARNING DECAL |
| 142 | 19-1235 | NYLON SEAT ROLLERS |
| | <i>E.L. CODE:</i> | 2WOPS, 2MOPS, 2WOP |
| | ST07 | SEAT KIT 2 |
| 143 | 01-1121 | 3/8 X 2 HH5 |
| 144 | 03-1035 | 3/8 NTE |
| 145 | 04-5213 | 3/8 LOC WASH |
| 146 | 04-5135 | 3/8" BOLT CAP WASHER |
| 147 | 04-5145 | PLASTIC BOLT CAP |
| 148 | 09-1172 | 1 X 6 GRIP |
| 149 | 09-3080 | 1 X 3 HOLE PLUG |
| 150 | 09-3094 | 1.25 OD X .75 ID X .75 L HOLE PLUG |
| 151 | 12-1001 | SEAT POSITION INDICATOR ARROW |
| 152 | 12-1009 | SEAT DECAL 1 BOTTOM -10 TOP (5/8 WIDE) |
| 153 | SE510 | WOMEN'S FOOTREST ASSEMBLY |
| 154 | 03-5106 | NUT HEX 10MM |

| REF# | PART# | DESCRIPTION |
|------|-------------------|--------------------------------------|
| 155 | 06-8000 | SEAT ADJUSTMENT HANDLE 7/8" |
| 156 | 06-8006 | SEAT ADJUSTMENT CABLE, 18" |
| 157 | 07-5065 | BEARING FAFNIR 203 PP |
| 158 | 07-8027 | PIN CLEVIS 5/16 X 1 3/16 |
| 159 | 07-8135 | COTTER PIN #RUE-10 mfg. PIVOT POINT |
| 160 | 07-9201 | SHOCK LEVER P/N 783234 |
| 161 | 07-9205 | HEAD THREAD ON CAST ALUM |
| 162 | 07-9298 | GAS SPRING COVER TUBE |
| 163 | 07-9299 | GAS SPRING COVER PLUG |
| 164 | 09-1058 | RUBBER HAND GRIP, 7/8 X 4 1/2 |
| 165 | 10-3045 | RIGID IN COMPRESSION, 250 N #7613IL |
| 166 | 10-4012 | 40 MM O.D. WAVE SPRING SSB-0158-S17 |
| 167 | 12-1109 | SEAT SHOCK ADJ. TAG |
| 168 | 12-1113 | SHOCK WARNING DECAL |
| 169 | 19-1235 | NYLON SEAT ROLLERS |
| | <i>E.L. CODE:</i> | 2OPS, 2WOPS, 2MOPS, 2OP, 2WOP, 2SOP |
| | UPH17 | BELTED OVERHEAD PRESS UPHOLSTERY KIT |
| 170 | UP8015 | SEAT PAD |
| 171 | 02-9220 | BOLT HH5 3/8 X 1 1/4 BLACK |
| 172 | 04-5213 | WASHER INT LOK 3/8 BLACK |
| 173 | UP8210 | BACK PAD |
| 174 | UP720 | SLIPCOVER |
| 175 | 01-1551 | BOLT HH5 3/8 X 3 1/4 BLACK |
| 176 | 04-5135 | 3/8" BOLT CAP WASHER |
| 177 | 04-5145 | PLASTIC BOLT CAP |
| | <i>E.L. CODE:</i> | 2OP, 2WOP, 2SOP |
| 178 | 09-3063 | PLUG HOLE 7/16 WHITE |
| 179 | 09-3065 | 9/16" WHITE HOLE PLUG |
| 180 | 09-3067 | PLUG HOLE 1/4 WHITE |
| | <i>E.L. CODE:</i> | 2OPS, 2WOPS, 2MOPS |
| 181 | 14-2091 | INSIDE MAIN SHIELD MADE FROM 14-2077 |