

This document contains information proprietary to Magnum Fitness Systems. It is submitted in confidence and is to be used solely for the purpose for which it is furnished. This document and such information is not to be reproduced, transmitted, or used in whole or part without written authorization.

TOLERANCES: + 0.000"
- 1/16"

MAGNUM FITNESS SYSTEMS

2201 12th. Avenue
S. Milwaukee, WI, 53172

TITLE: 3036 - Pec/Rear Delt

UNLESS OTHERWISE SPECIFIED
DIMENSIONS ARE IN INCHES.

DRAWN BY:
R. Degenhardt

DATE:
12/30/04

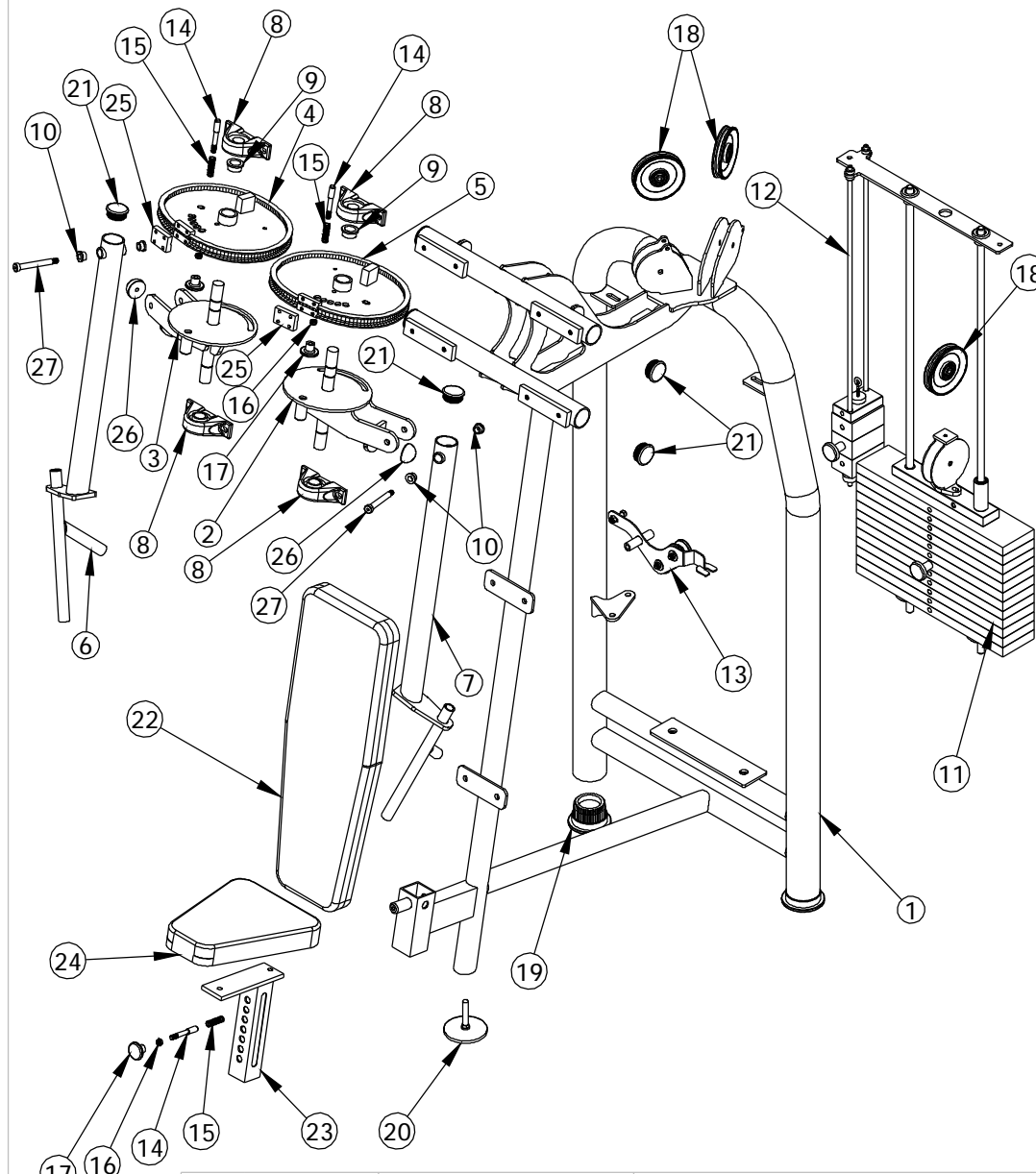
PART NO.
xxx-xxx

JOB NO.
XXXXXXXX

REV:
1

FILE LOCATION: C:\Cad Drawings\Solid Works\

1 OF 3



This document contains information proprietary to Magnum Fitness Systems. It is submitted in confidence and is to be used solely for the purpose for which it is furnished. This document and such information is not to be reproduced, transmitted, or used in whole or part without written authorization.

TOLERANCES: + 0.000"
- 1/16"

MAGNUM FITNESS SYSTEMS
2201 12th. Avenue
S. Milwaukee, WI, 53172

TITLE: 3036 - Pec/Rear Delt

UNLESS OTHERWISE SPECIFIED
DIMENSIONS ARE IN INCHES.

DRAWN BY:
R. Degenhardt

DATE:
12/30/04

PART NO.
xxx-xxx

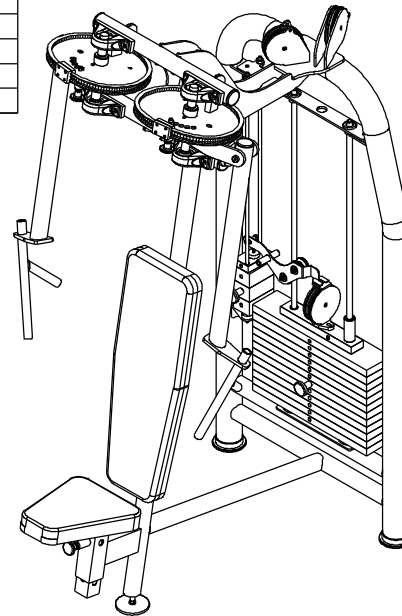
JOB NO.
XXXXXXXX

REV:
1

FILE LOCATION: C:\Cad Drawings\Solid Works\

2 OF 3

ITEM NO.	QTY.	PART NO.	DESCRIPTION
1	1	101-260	2036 MAIN FRAME
2	1	100-965	SELECTOR PLATE (RIGHT)
3	1	100-966	SELECTOR PLATE (LEFT)
4	1	100-467	CAM ASSEMBLY (LEFT)
5	1	100-468	CAM ASSEMBLY (RIGHT)
6	1	100-967	ARM ASSEMBLY (LEFT)
7	1	100-968	ARM ASSEMBLY (RIGHT)
8	4	851-317	1" PILLOW BLOCK
10	4	851-514	1/2" BRASS BUSHING
11	1	101-340	WEIGHT STACK ASSEMBLY
12	1	101-342	MINI WEIGHT STACK ASSEMBLY
13	1	101-278	3000 SERIES BANANA (LEFT)
14	3	855-302	SPRING PIN w/ 5/32"
15	3	852-807	SPRING
16	3	817-306	3/8" -16 JAM NUT
17	3	852-207	GOLD PULL KNOB
18	3	853-303	4" CABLE PULLEY - 3/8" NARROW HOLE
19	2	850-056	3" FOOT
20	1	833-129	4" FOOT (LONG)
21	6	850-035	2" ROUND END CAP
22	1	901-049	UPHOLSTERY
23	1	339-708	SEAT POST - CHROMED
24	1	900-005	UPHOLSTERY
25	2	339-714	1/2" x 1 1/2" F.S. - 2 1/4"
26	2	838-223	HALF-ROUND RUBBER BUMPER
27	2	810-960	1/2" SHOULDER BOLT - 3 1/2"
28	2	851-518	1"ID x 1 1/4OD" FLANGED BUSHING



This document contains information proprietary to Magnum Fitness Systems. It is submitted in confidence and is to be used solely for the purpose for which it is furnished. This document and such information is not to be reproduced, transmitted, or used in whole or part without written authorization.

TOLERANCES: + 0.000"
- 1/16"

UNLESS OTHERWISE SPECIFIED
DIMENSIONS ARE IN INCHES.

DRAWN BY:
R. Degenhardt

MAGNUM FITNESS SYSTEMS
2201 12th. Avenue
S. Milwaukee, WI, 53172

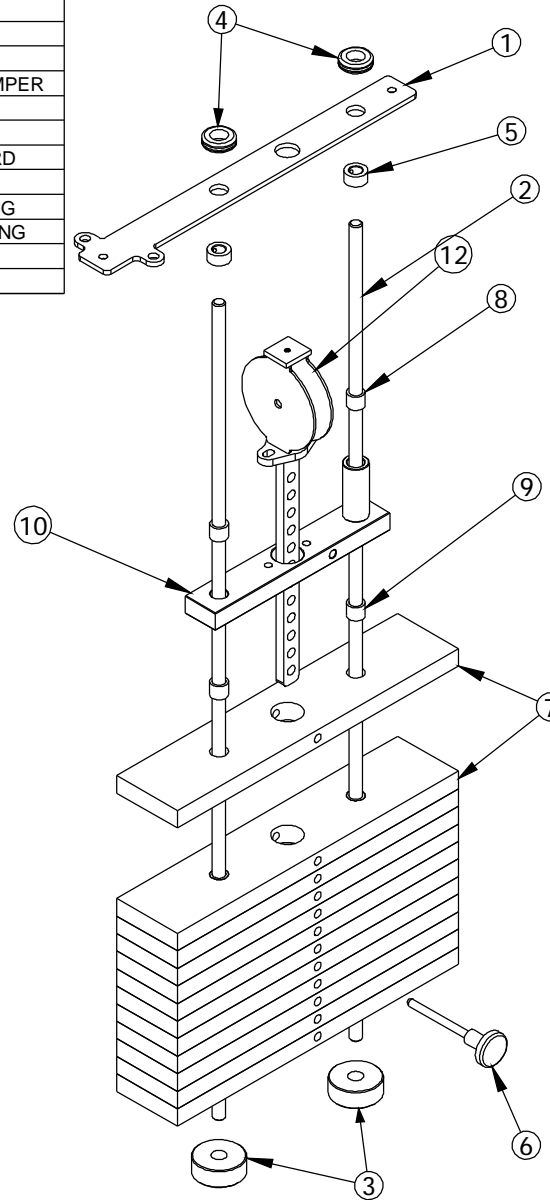
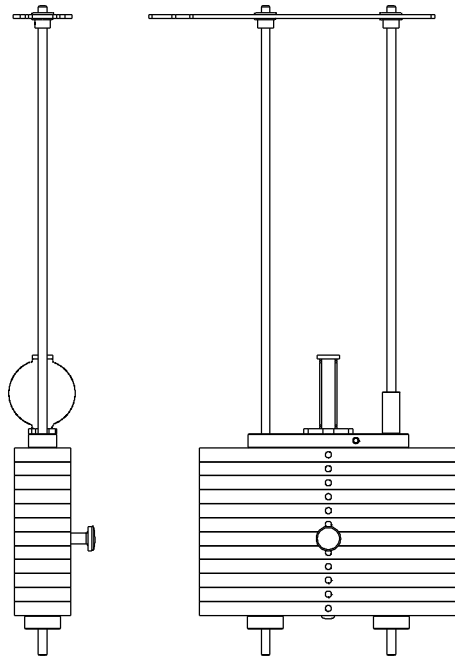
TITLE: 3036 - Pec/Rear Delt

DATE: 12/30/04	PART NO. xxx-xxx	JOB NO. XXXXXXXX	REV: 1
-------------------	---------------------	---------------------	-----------

FILE LOCATION: C:\Cad Drawings\Solid Works\

3 OF 3

ITEM NO.	QTY.	PART NO.	DESCRIPTION
1	1	500-963	1/4" PLASMA
2	2	200-389	5/8" GUIDE ROD - 46 1/2"
3	2	838-211	ROUND WEIGHT STACK BUMPER
4	2	858-005	5/8" RUBBER GROMMET
5	2	852-610	5/8" SET COLLAR
6	1	852-007	SELECTOR PIN w/ 6 1/2" CORD
7	12	300-410	1" x 4" F.S. - 18 1/2"
8	2	849-001	7/8"OD x 5/8"ID x 3/4" BUSHING
9	24	849-002	7/8"OD x .640"ID x 3/4" BUSHING
10	1	101-129	TOP WEIGHT PLATE
12	1	101-341	CENTER STICK - 12 PLATE



This document contains information proprietary to Magnum Fitness Systems. It is submitted in confidence and is to be used solely for the purpose for which it is furnished. This document and such information is not to be reproduced, transmitted, or used in whole or part without written authorization.

TOLERANCES: + 0.000"
- 1/16"

UNLESS OTHERWISE SPECIFIED
DIMENSIONS ARE IN INCHES.

DRAWN BY:
RAD

MAGNUM FITNESS SYSTEMS

2201 12th. Avenue
S. Milwaukee, WI, 53172

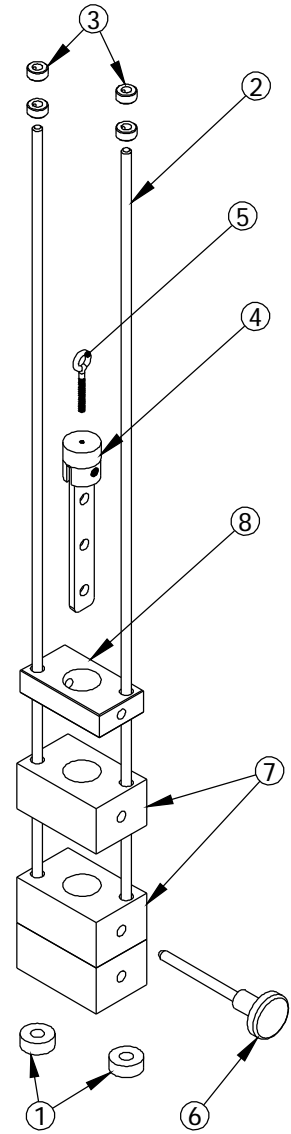
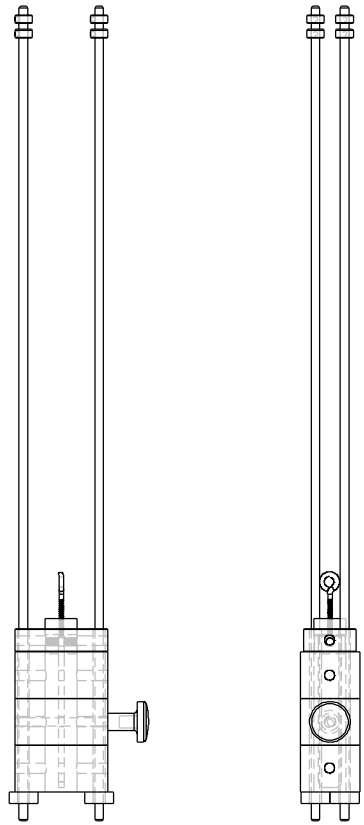
TITLE: WEIGHT STACK ASSEMBLY
62" FRAME - 12 PLATE w/PULLEY

DATE: 12/23/04	PART NO. 101-340	JOB NO. XXXXXXXXX	REV: 1
-------------------	---------------------	----------------------	-----------

FILE LOCATION: C:\Cad Drawings\Solid Works\

1 OF 1

ITEM NO.	QTY.	PART NO.	DESCRIPTION
1	2	858-251	1/2" RUBBER BUMPER
2	2	200-440	3/8" GUIDE ROD - 35"
3	4	852-607	3/8" SHAFT COLLAR
4	1	101-053	MINI WEIGHT STACK CENTER STICK
5	1	818-899	3/8" EYE BOLT - 2 1/2"
6	1	852-008	SELECTOR PIN w/ 4" CORD
7	3	300-413	2" x 4" F.S. - 2 9/16"
8	1	807-001	1" x 2 1/4" F.S. - 4"



This document contains information proprietary to Magnum Fitness Systems. It is submitted in confidence and is to be used solely for the purpose for which it is furnished. This document and such information is not to be reproduced, transmitted, or used in whole or part without written authorization.

TOLERANCES: + 0.000"
- 1/16"

UNLESS OTHERWISE SPECIFIED
DIMENSIONS ARE IN INCHES.

DRAWN BY:
RAD

MAGNUM FITNESS SYSTEMS
2201 12th. Avenue
S. Milwaukee, WI, 53172

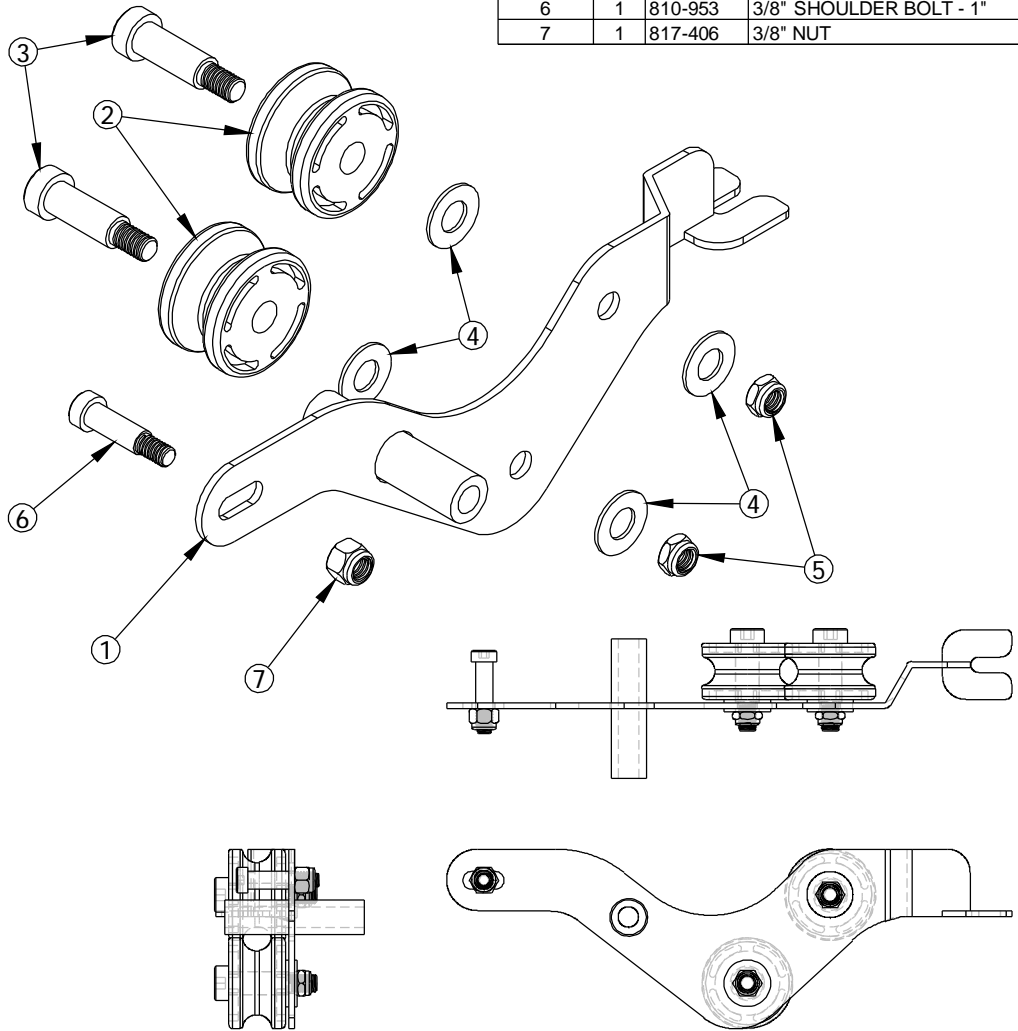
TITLE: MINI WEIGHT STACK ASSEMBLY

DATE: 12/23/04	PART NO. 101-342	JOB NO. XXXXXXXX	REV: 1
-------------------	---------------------	---------------------	-----------

FILE LOCATION: C:\Cad Drawings\Solid Works\

1 OF 1

ITEM NO.	QTY.	PART NO.	DESCRIPTION
1	1	101-276	BANANA SUB-ASSEMBLY
2	2	853-314	ROLLER w/ BEARING
3	2	810-954	1/2" x 1 1/4" SHOULDER BOLT
4	4	818-008	1/2" FLAT WASHER
5	2	817-306	3/8"-16 JAM NUT
6	1	810-953	3/8" SHOULDER BOLT - 1"
7	1	817-406	3/8" NUT



This document contains information proprietary to Magnum Fitness Systems. It is submitted in confidence and is to be used solely for the purpose for which it is furnished. This document and such information is not to be reproduced, transmitted, or used in whole or part without written authorization.

TOLERANCES: + 0.000"
- 1/16"

UNLESS OTHERWISE SPECIFIED
DIMENSIONS ARE IN INCHES.

DRAWN BY:
RAD

MAGNUM FITNESS SYSTEMS

2201 12th. Avenue
S. Milwaukee, WI, 53172

TITLE: 3000 SERIES BANANA (LEFT)

DATE:
11/05/04

PART NO.
101-278

JOB NO.
XXXXXXXX

REV:
1

FILE LOCATION: C:\Cad Drawings\Solid Works\

1 OF 1