

This document contains information proprietary to Magnum Fitness Systems. It is submitted in confidence and is to be used solely for the purpose for which it is furnished. This document and such information is not to be reproduced, transmitted, or used in whole or part without written authorization.

TOLERANCES: + 0.000"  
- 1/16"

UNLESS OTHERWISE SPECIFIED  
DIMENSIONS ARE IN INCHES.

DRAWN BY:  
RAD

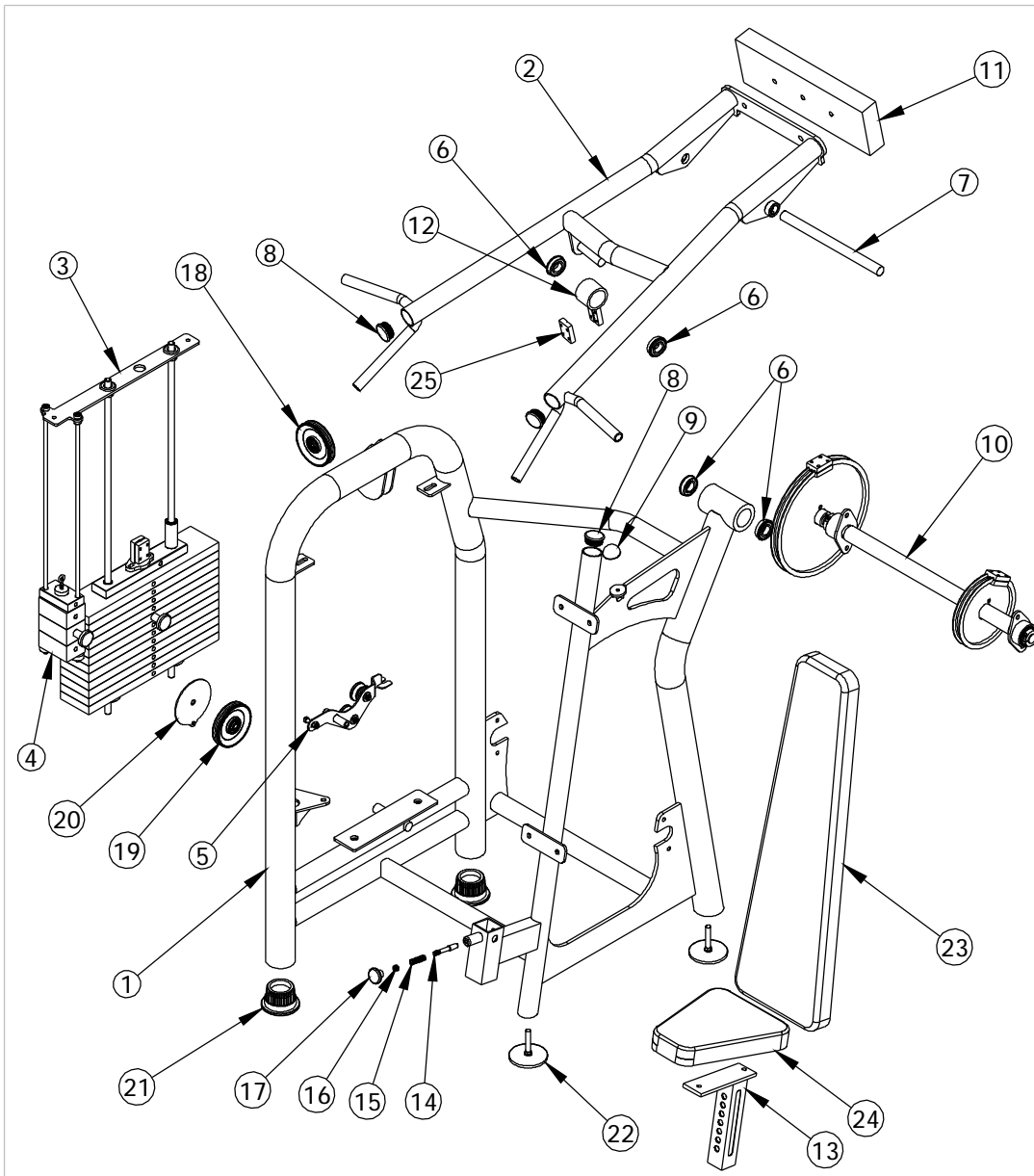
**MAGNUM FITNESS SYSTEMS**  
2201 12th. Avenue  
S. Milwaukee, WI, 53172

TITLE: 3014 - SHOULDER PRESS

DATE: 11/12/04	PART NO. xxx-xxx	JOB NO. XXXXXXXX	REV: 1
-------------------	---------------------	---------------------	-----------

FILE LOCATION: C:\Cad Drawings\Solid Works\

1 OF 3



This document contains information proprietary to Magnum Fitness Systems. It is submitted in confidence and is to be used solely for the purpose for which it is furnished. This document and such information is not to be reproduced, transmitted, or used in whole or part without written authorization.

TOLERANCES: + 0.000"  
- 1/16"

UNLESS OTHERWISE SPECIFIED  
DIMENSIONS ARE IN INCHES.

DRAWN BY:  
RAD

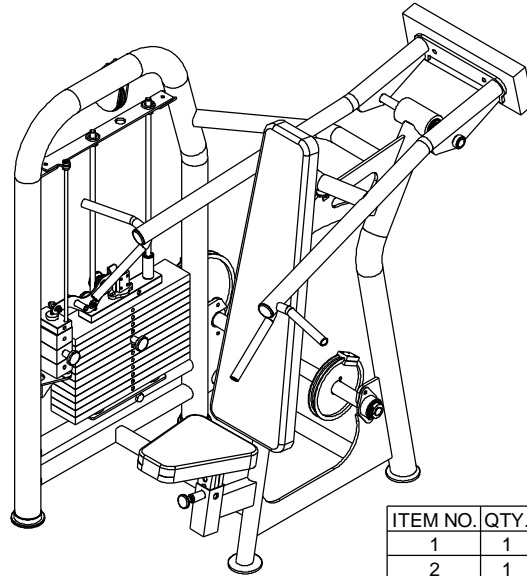
**MAGNUM FITNESS SYSTEMS**  
2201 12th. Avenue  
S. Milwaukee, WI, 53172

TITLE: 3014 - SHOULDER PRESS

DATE: 11/12/04	PART NO. xxx-xxx	JOB NO. XXXXXXXX	REV: 1
-------------------	---------------------	---------------------	-----------

FILE LOCATION: C:\Cad Drawings\Solid Works\

2 OF 3



ITEM NO.	QTY.	PART NO.	DESCRIPTION
1	1	101-266	MAIN FRAME
2	1	101-268	3014 MAIN ARM
3	1	101-275	WEIGHT STACK ASSEMBLY
4	1	101-143	MINI WEIGHT STACK
5	1	101-278	3000 SERIES BANANA (LEFT)
6	4	651-416	FLANGE BEARING - 1"
7	1	200-437	1" CRR - 13 3/4"
8	3	650-035	2" ROUND END CAP
9	1	638-223	HALF-ROUND RUBBER BUMPER
10	1	101-285	3014 CAM ASSEMBLY
11	1	300-445	2" x 6" F.S. - 18"
12	1	100-904	CABLE CLIP ASSEMBLY
13	1	339-708	SEAT POST - CHROMED
14	1	655-302	SPRING PIN w/ 5/32"
15	1	652-807	SPRING
16	1	617-306	3/8"-16 JAM NUT
17	1	652-207	GOLD PULL KNOB
18	1	653-303	4" CABLE PULLEY - 3/8" NARROW HOLE
19	1	853-300	4" CABLE PULLEY - 1/2" NARROW HOLE
20	1	601-125	1/8" PLASMA
21	2	850-056	3" FOOT
22	2	833-129	4" FOOT (LONG)
23	1	901-042	UPHOLSTERY
24	1	900-005	UPHOLSTERY
25	1	339-714	1/2" x 1 1/2" F.S. - 2 1/4"

This document contains information proprietary to Magnum Fitness Systems. It is submitted in confidence and is to be used solely for the purpose for which it is furnished. This document and such information is not to be reproduced, transmitted, or used in whole or part without written authorization.

TOLERANCES: + 0.000"  
- 1/16"

UNLESS OTHERWISE SPECIFIED  
DIMENSIONS ARE IN INCHES.

DRAWN BY:  
RAD

**MAGNUM FITNESS SYSTEMS**

2201 12th. Avenue  
S. Milwaukee, WI, 53172

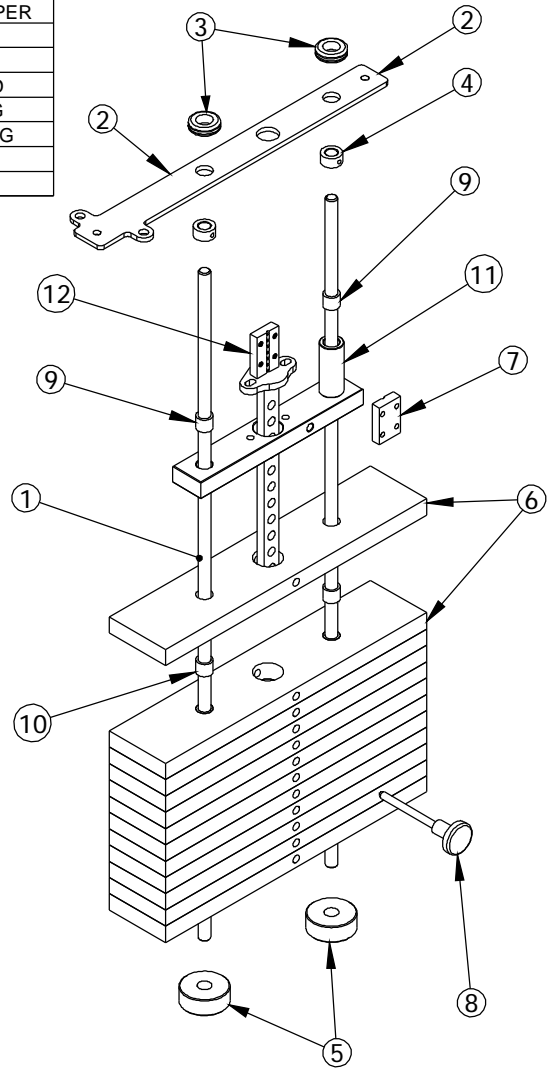
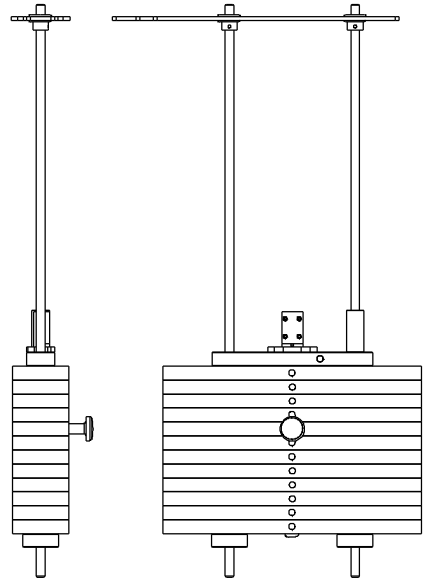
TITLE: 3014 - SHOULDER PRESS

DATE: 11/12/04	PART NO. xxx-xxx	JOB NO. XXXXXXXX	REV: 1
-------------------	---------------------	---------------------	-----------

FILE LOCATION: C:\Cad Drawings\Solid Works\

3 OF 3

ITEM NO.	QTY.	PART NO.	DESCRIPTION
1	2	200-384	5/8" GUIDE ROD - 41"
2	1	500-963	1/4" PLASMA
3	2	858-005	5/8" RUBBER GROMMET
4	2	852-610	5/8" SET COLLAR
5	2	838-211	ROUND WEIGHT STACK BUMPER
6	12	300-410	1" x 4" F.S. - 18 1/2"
7	1	339-714	1/2" x 1 1/2" F.S. - 2 1/4"
8	1	852-007	SELECTOR PIN w/ 6 1/2" CORD
9	2	849-001	7/8"OD x 5/8"ID x 3/4" BUSHING
10	24	849-002	7/8"OD x .640"ID x 3/4" BUSHING
11	1	101-129	TOP WEIGHT PLATE
12	1	101-277	CENTER STICK - 10



This document contains information proprietary to Magnum Fitness Systems. It is submitted in confidence and is to be used solely for the purpose for which it is furnished. This document and such information is not to be reproduced, transmitted, or used in whole or part without written authorization.

**TOLERANCES:** + 0.000"  
- 1/16"

UNLESS OTHERWISE SPECIFIED  
DIMENSIONS ARE IN INCHES.

**MAGNUM FITNESS SYSTEMS**  
2201 12th. Avenue  
S. Milwaukee, WI, 53172

**TITLE: "3000" SERIES WEIGHT STACK  
56" FRAME - 12 PLATE**

DRAWN BY:  
**RAD**

DATE:  
11/04/04

PART NO.  
101-275

JOB NO.  
XXXXXXXXX

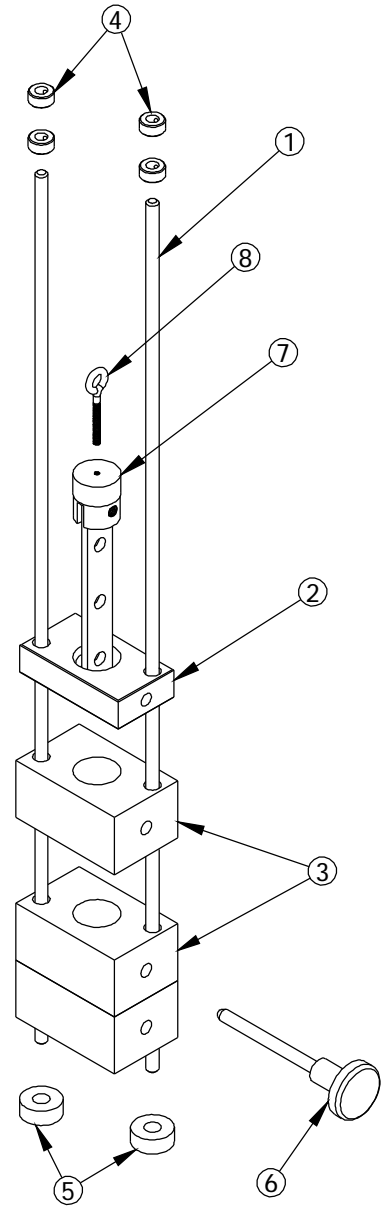
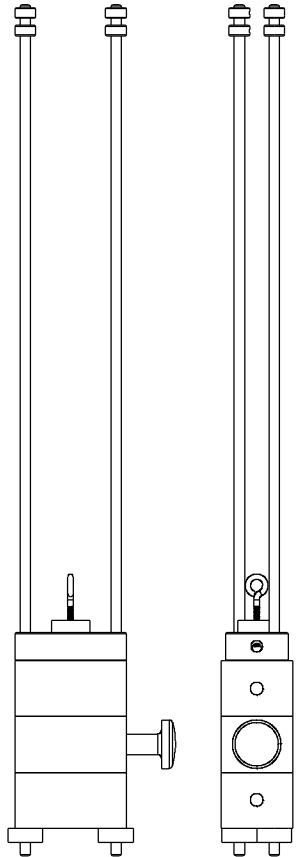
REV:  
1

FILE LOCATION: C:\Cad Drawings\Solid Works\

1 OF 1



ITEM NO.	QTY.	PART NO.	DESCRIPTION
1	2	200-402	3/8" GUIDE ROD - 30 1/2"
2	1	807-001	1" x 2 1/4" F.S. - 4"
3	3	300-413	2" x 4" F.S. - 2 9/16"
4	4	852-607	3/8" SHAFT COLLAR
5	2	858-251	1/2" RUBBER BUMPER
6	1	852-008	SELECTOR PIN w/ 4" CORD
7	1	101-053	MINI WEIGHT STACK CENTER STICK
8	1	818-899	3/8" EYE BOLT - 2 1/2"



This document contains information proprietary to Magnum Fitness Systems. It is submitted in confidence and is to be used solely for the purpose for which it is furnished. This document and such information is not to be reproduced, transmitted, or used in whole or part without written authorization.

TOLERANCES: + 0.000"  
- 1/16"

UNLESS OTHERWISE SPECIFIED  
DIMENSIONS ARE IN INCHES.

DRAWN BY:  
RAD

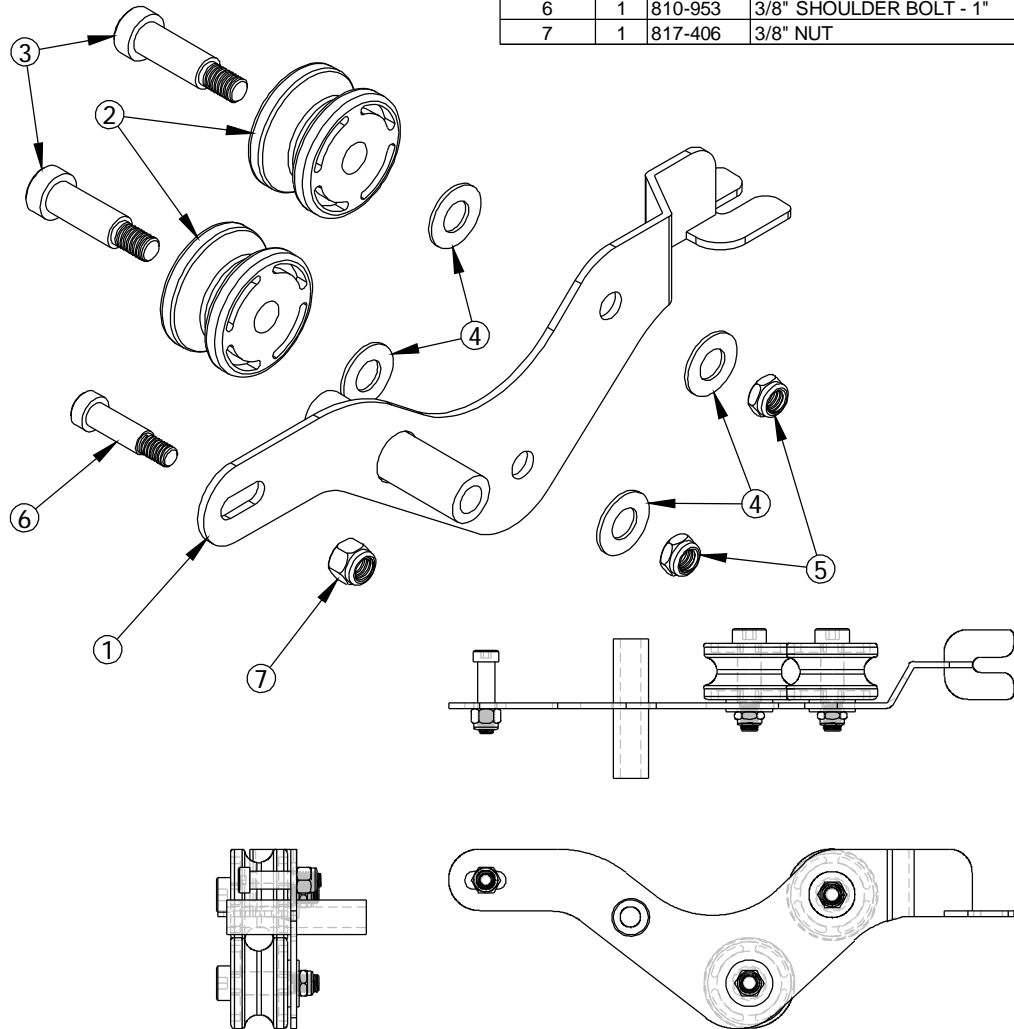
**MAGNUM FITNESS SYSTEMS**  
2201 12th. Avenue  
S. Milwaukee, WI, 53172

TITLE: "E" SERIES MINI STACK

DATE: 08/02/04	PART NO. 101-143	JOB NO. XXXXXXXX	REV: 1
-------------------	---------------------	---------------------	-----------

FILE LOCATION: C:\Cad Drawings\Solid Works\

ITEM NO.	QTY.	PART NO.	DESCRIPTION
1	1	101-276	BANANA SUB-ASSEMBLY
2	2	853-314	ROLLER w/ BEARING
3	2	810-954	1/2" x 1 1/4" SHOULDER BOLT
4	4	818-008	1/2" FLAT WASHER
5	2	817-306	3/8"-16 JAM NUT
6	1	810-953	3/8" SHOULDER BOLT - 1"
7	1	817-406	3/8" NUT



This document contains information proprietary to Magnum Fitness Systems. It is submitted in confidence and is to be used solely for the purpose for which it is furnished. This document and such information is not to be reproduced, transmitted, or used in whole or part without written authorization.

TOLERANCES: + 0.000"  
- 1/16"

UNLESS OTHERWISE SPECIFIED  
DIMENSIONS ARE IN INCHES.

DRAWN BY:  
RAD

**MAGNUM FITNESS SYSTEMS**  
2201 12th. Avenue  
S. Milwaukee, WI, 53172

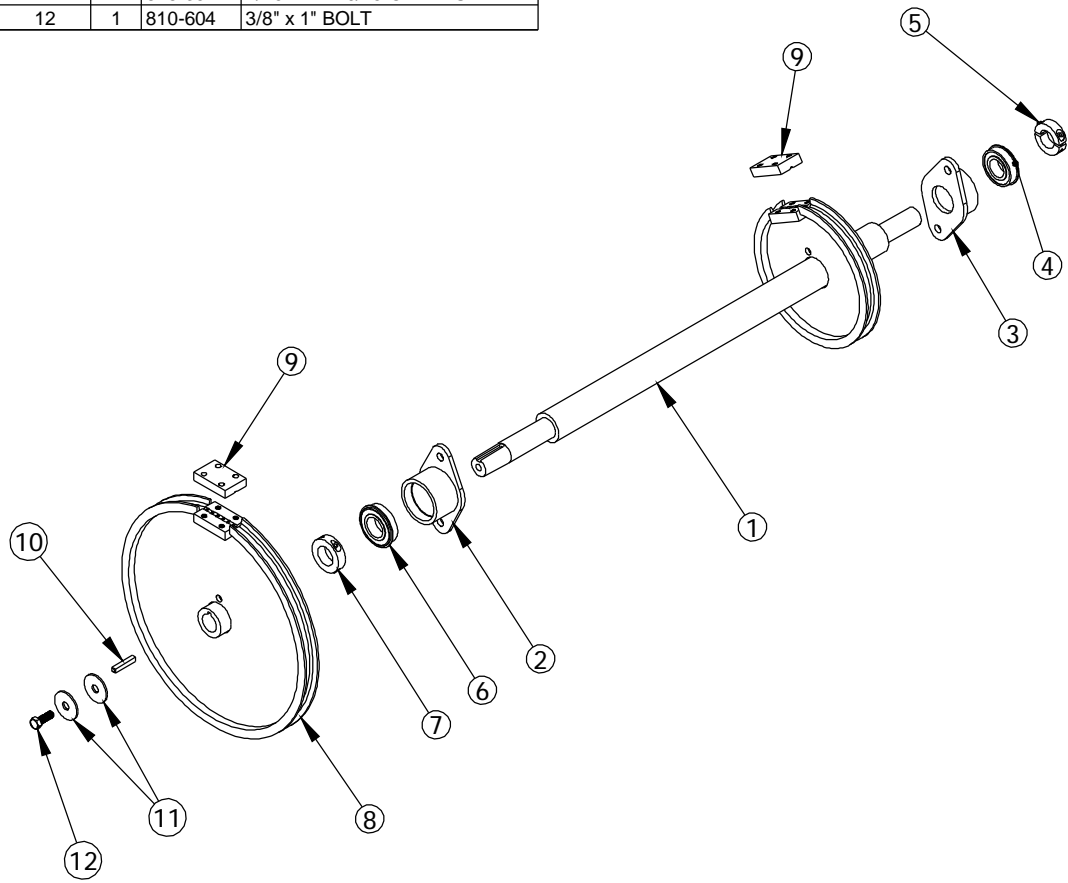
TITLE: 3000 SERIES BANANA (LEFT)

DATE: 11/05/04	PART NO. 101-278	JOB NO. XXXXXXXX	REV: 1
-------------------	---------------------	---------------------	-----------

FILE LOCATION: C:\Cad Drawings\Solid Works\

1 OF 1

ITEM NO.	QTY.	PART NO.	DESCRIPTION
1	1	101-269	CAM ASSEMBLY
2	1	100-879	BEARING HOUSING
3	1	100-880	BEARING HOUSING
4	1	851-416	FLANGE BEARING - 1"
5	1	852-717	1" SPLIT COLLAR
6	1	851-420	FLANGE BEARING - 1 1/8"
7	1	852-718	1 1/8" SPLIT COLLAR
8	1	100-881	12" ROUND CAM
9	2	339-714	1/2" x 1 1/2" F.S. - 2 1/4"
10	1	842-404	1/4" x 1/4" x 1 1/2" KEY
11	2	818-351	7/16"ID x 1 9/16"OD WASHER
12	1	810-604	3/8" x 1" BOLT



This document contains information proprietary to Magnum Fitness Systems. It is submitted in confidence and is to be used solely for the purpose for which it is furnished. This document and such information is not to be reproduced, transmitted, or used in whole or part without written authorization.

TOLERANCES: + 0.000"  
- 1/16"

UNLESS OTHERWISE SPECIFIED  
DIMENSIONS ARE IN INCHES.

**MAGNUM FITNESS SYSTEMS**  
2201 12th. Avenue  
S. Milwaukee, WI, 53172

TITLE: 3014 CAM ASSEMBLY

DRAWN BY:  
RAD

DATE:  
11/11/04

PART NO.  
101-285

JOB NO.  
XXXXXXXXX

REV:  
1

FILE LOCATION: C:\Cad Drawings\Solid Works\

1 OF 1