

This document contains information proprietary to Magnum Fitness Systems. It is submitted in confidence and is to be used solely for the purpose for which it is furnished. This document and such information is not to be reproduced, transmitted, or used in whole or part without written authorization.

TOLERANCES: + 0.000"  
- 1/16"

UNLESS OTHERWISE SPECIFIED  
DIMENSIONS ARE IN INCHES.

DRAWN BY:  
R. Degenhardt

**MAGNUM FITNESS SYSTEMS**

2201 12th. Avenue  
S. Milwaukee, WI, 53172

TITLE: 3007 - ABDOMINAL

DATE:  
12/13/04

PART NO.  
xxx-xxx

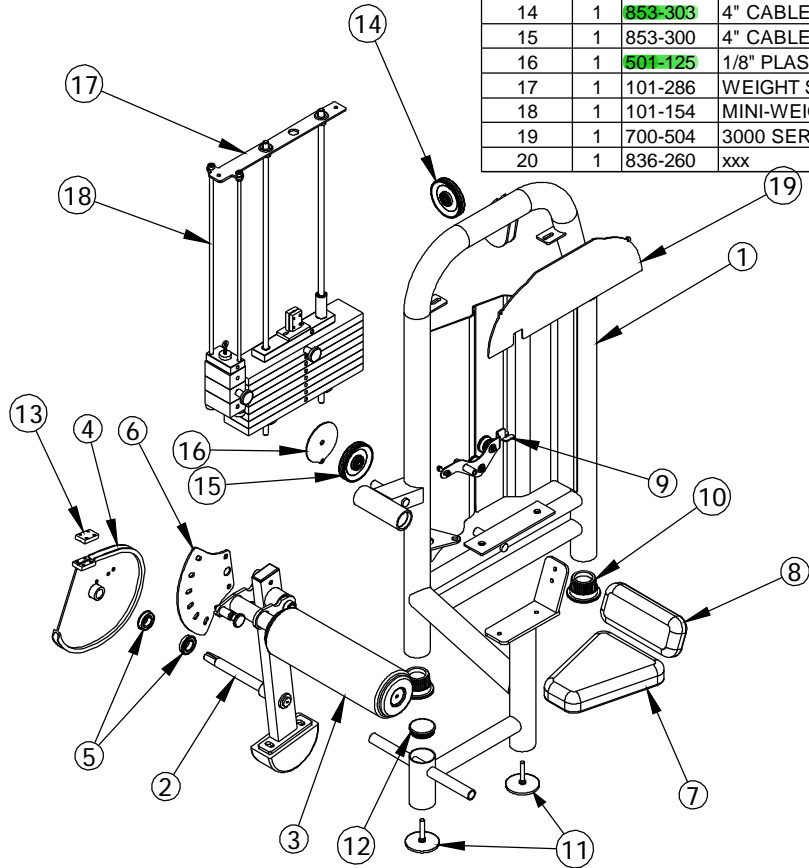
JOB NO.  
XXXXXXXX

REV:  
1

FILE LOCATION: C:\Cad Drawings\Solid Works\

1 OF 2

ITEM NO.	QTY.	PART NO.	DESCRIPTION
1	1	101-255	3007 MAIN FRAME
2	1	101-308	3007 HAMMER
3	1	101-307	3007 ROLLER ASSEMBLY
4	1	100-892	CAM SUB-ASSEMBLY
5	2	851-420	FLANGE BEARING - 1 1/8"
6	1	339-041	3/16" PLASMA - CHROMED
7	1	900-029	UPHOLSTERY
8	1	900-030	UPHOLSTERY
9	1	101-278	3000 SERIES BANANA (LEFT)
10	2	850-056	3" FOOT
11	2	833-129	4" FOOT (LONG)
12	1	850-045	3" ROUND END CAP
13	1	339-714	1/2" x 1 1/2" F.S. - 2 1/4"
14	1	853-303	4" CABLE PULLEY - 3/8" NARROW HOLE
15	1	853-300	4" CABLE PULLEY - 1/2" NARROW HOLE
16	1	501-125	1/8" PLASMA
17	1	101-286	WEIGHT STACK ASSEMBLY
18	1	101-154	MINI-WEIGHT STACK
19	1	700-504	3000 SERIES COVER (LEFT)
20	1	836-260	xxx



This document contains information proprietary to Magnum Fitness Systems. It is submitted in confidence and is to be used solely for the purpose for which it is furnished. This document and such information is not to be reproduced, transmitted, or used in whole or part without written authorization.

TOLERANCES: + 0.000"  
- 1/16"

UNLESS OTHERWISE SPECIFIED  
DIMENSIONS ARE IN INCHES.

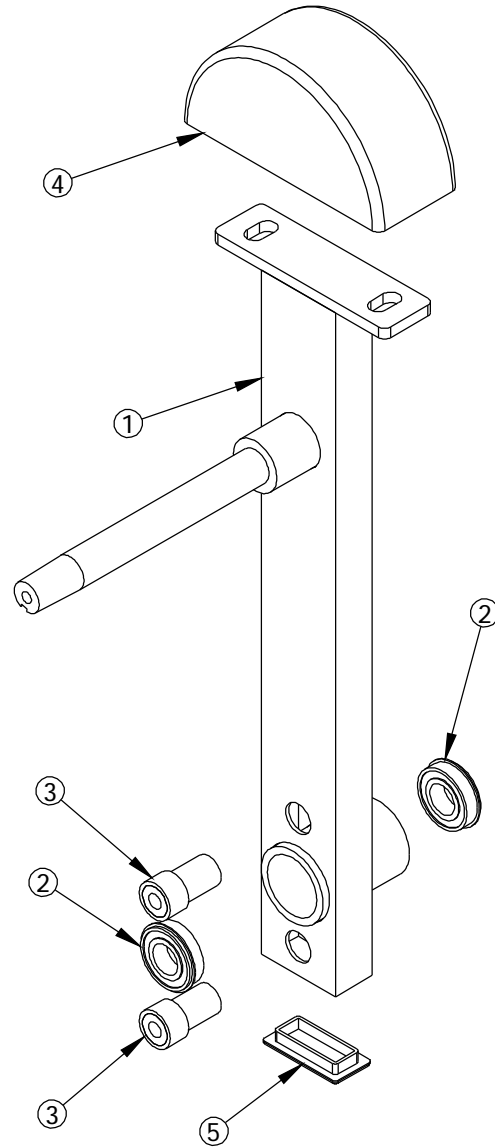
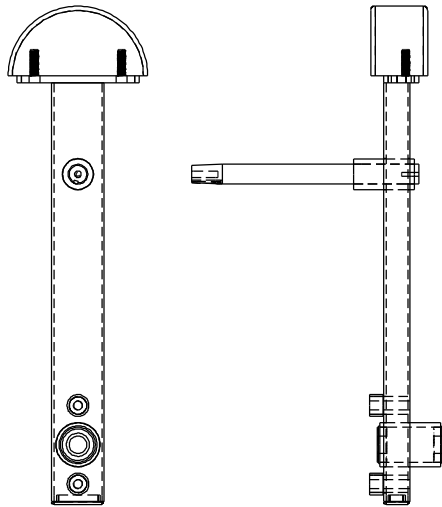
DRAWN BY:  
R. Degenhart

**MAGNUM FITNESS SYSTEMS**  
2201 12th. Avenue  
S. Milwaukee, WI, 53172

TITLE: 3007 - ABDOMINAL

DATE: 12/13/04	PART NO. xxx-xxx	JOB NO. XXXXXXXX	REV: 1
-------------------	---------------------	---------------------	-----------

ITEM NO.	QTY.	PART NO.	DESCRIPTION
1	1	101-256	3007 HAMMER SUB-ASSEMBLY
2	2	651-416	FLANGE BEARING - 1"
3	2	101-082	STOP
4	1	200-202	8" CRR - 3 1/4"
5	1	650-011	1 1/2" x 3" END CAP



This document contains information proprietary to Magnum Fitness Systems. It is submitted in confidence and is to be used solely for the purpose for which it is furnished. This document and such information is not to be reproduced, transmitted, or used in whole or part without written authorization.

TOLERANCES: + 0.000"  
- 1/16"

UNLESS OTHERWISE SPECIFIED  
DIMENSIONS ARE IN INCHES.

DRAWN BY:  
R. Degenhardt

**MAGNUM FITNESS SYSTEMS**  
2201 12th. Avenue  
S. Milwaukee, WI, 53172

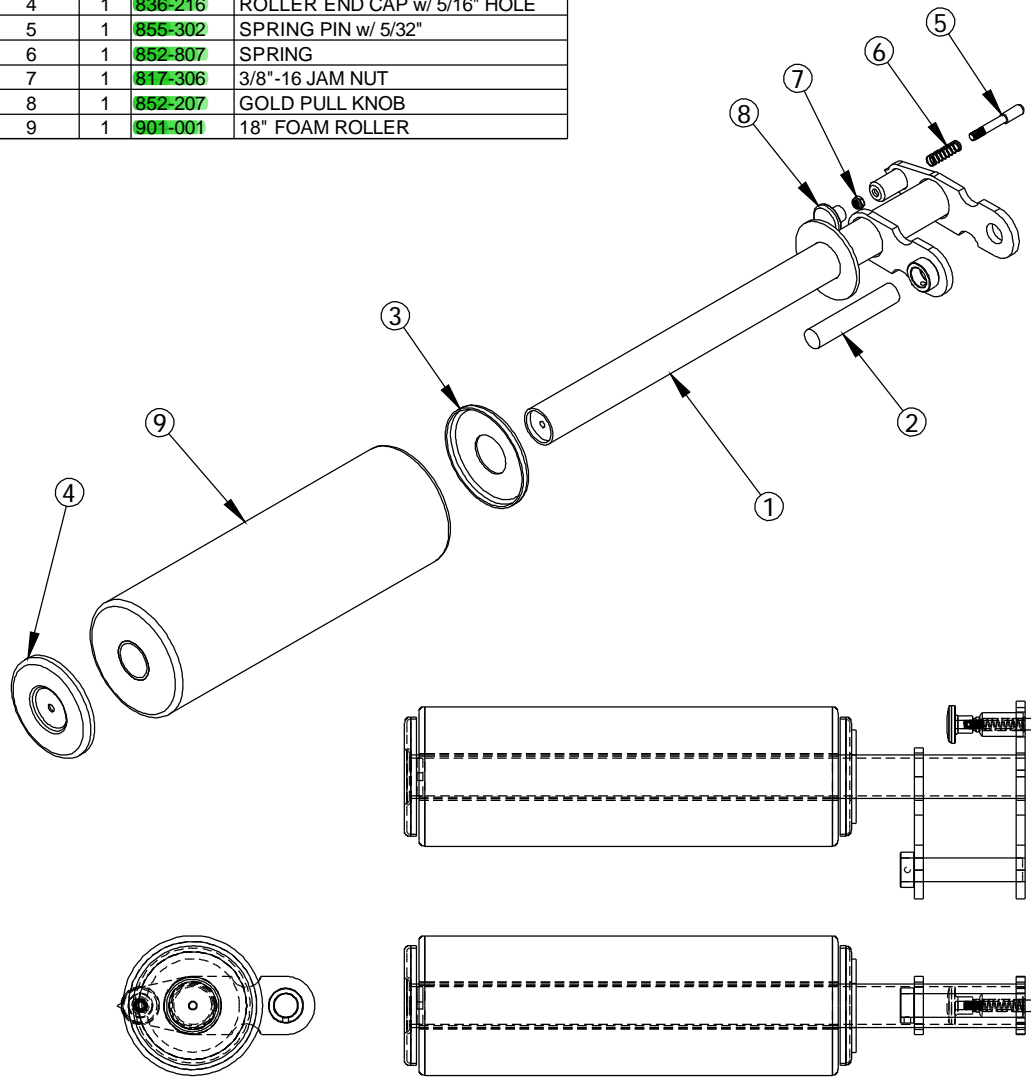
TITLE: 3007 HAMMER

DATE: 12/10/04	PART NO. 101-308	JOB NO. XXXXXXXX	REV: 1
-------------------	---------------------	---------------------	-----------

FILE LOCATION: C:\Cad Drawings\Solid Works\

1 OF 1

ITEM NO.	QTY.	PART NO.	DESCRIPTION
1	1	101-257	ROLLER ASSEMBLY
2	1	200-329	1" CRR - 5 1/4"
3	1	836-215	ROLLER END CAP w/ 2" HOLE
4	1	836-216	ROLLER END CAP w/ 5/16" HOLE
5	1	855-302	SPRING PIN w/ 5/32"
6	1	852-807	SPRING
7	1	817-306	3/8"-16 JAM NUT
8	1	852-207	GOLD PULL KNOB
9	1	901-001	18" FOAM ROLLER



This document contains information proprietary to Magnum Fitness Systems. It is submitted in confidence and is to be used solely for the purpose for which it is furnished. This document and such information is not to be reproduced, transmitted, or used in whole or part without written authorization.

TOLERANCES: + 0.000"  
- 1/16"

**MAGNUM FITNESS SYSTEMS**

2201 12th. Avenue  
S. Milwaukee, WI, 53172

UNLESS OTHERWISE SPECIFIED  
DIMENSIONS ARE IN INCHES.

TITLE: ROLLER PAD ASSEMBLY  
3007, 3008

DRAWN BY:  
R. Degenhardt

DATE:  
12/10/04

PART NO.  
101-307

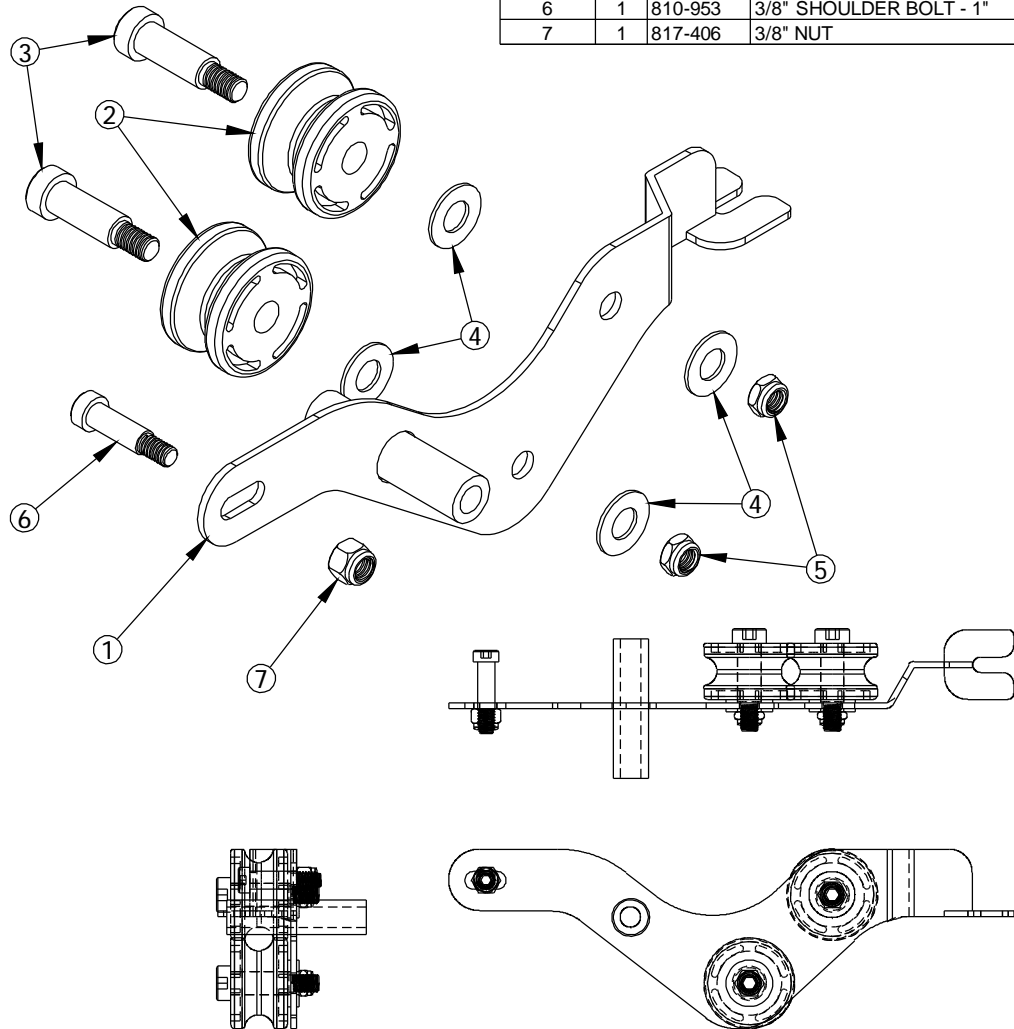
JOB NO.  
XXXXXXXX

REV:  
1

FILE LOCATION: C:\Cad Drawings\Solid Works\

1 OF 1

ITEM NO.	QTY.	PART NO.	DESCRIPTION
1	1	101-276	BANANA SUB-ASSEMBLY
2	2	853-314	ROLLER w/ BEARING
3	2	810-954	1/2" x 1 1/4" SHOULDER BOLT
4	4	818-008	1/2" FLAT WASHER
5	2	817-306	3/8"-16 JAM NUT
6	1	810-953	3/8" SHOULDER BOLT - 1"
7	1	817-406	3/8" NUT



This document contains information proprietary to Magnum Fitness Systems. It is submitted in confidence and is to be used solely for the purpose for which it is furnished. This document and such information is not to be reproduced, transmitted, or used in whole or part without written authorization.

TOLERANCES: + 0.000"  
- 1/16"

UNLESS OTHERWISE SPECIFIED  
DIMENSIONS ARE IN INCHES.

**MAGNUM FITNESS SYSTEMS**  
2201 12th. Avenue  
S. Milwaukee, WI, 53172

TITLE: 3000 SERIES BANANA (LEFT)

DRAWN BY:  
RAD

DATE:  
11/05/04

PART NO.  
101-278

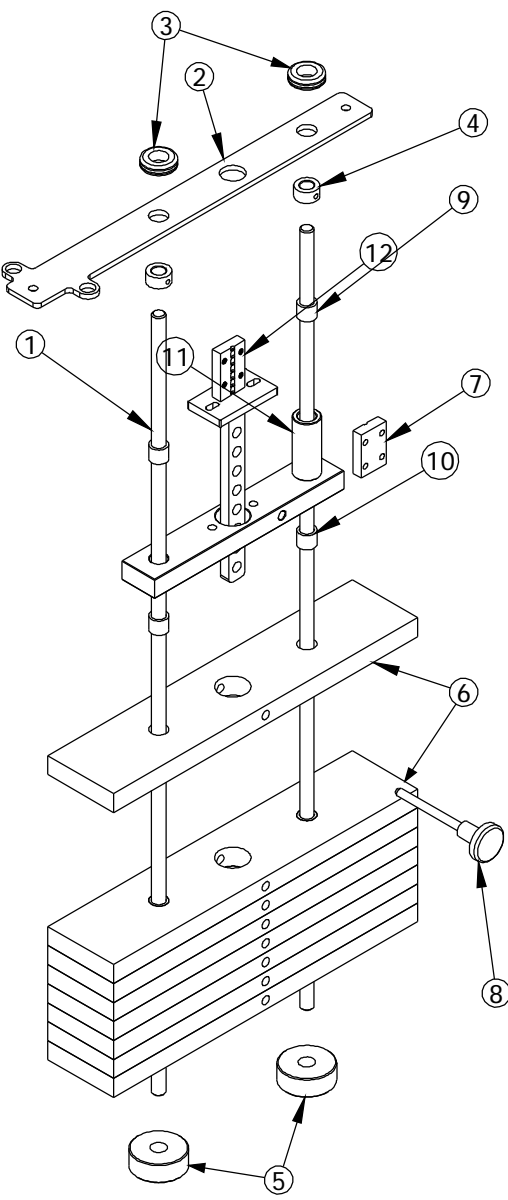
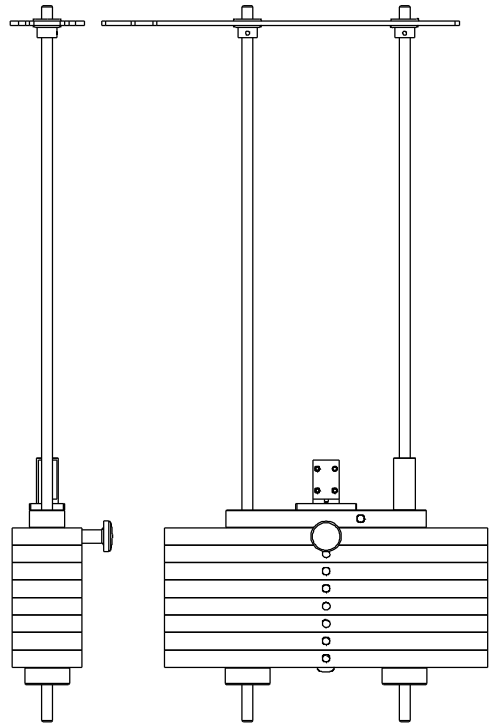
JOB NO.  
XXXXXXXX

REV:  
1

FILE LOCATION: C:\Cad Drawings\Solid Works\

1 OF 1

ITEM NO.	QTY.	PART NO.	DESCRIPTION
1	2	200-384	5/8" GUIDE ROD - 41"
2	1	500-963	1/4" PLASMA
3	2	858-005	5/8" RUBBER GROMMET
4	2	852-610	5/8" SET COLLAR
5	2	838-211	ROUND WEIGHT STACK BUMPER
6	8	300-410	1" x 4" F.S. - 18 1/2"
7	1	339-714	1/2" x 1 1/2" F.S. - 2 1/4"
8	1	852-007	SELECTOR PIN w/ 6 1/2" CORD
9	2	849-001	7/8"OD x 5/8"ID x 3/4" BUSHING
10	16	849-002	7/8"OD x .640"ID x 3/4" BUSHING
11	1	101-129	TOP WEIGHT PLATE
12	1	101-280	CENTER STICK - 8



This document contains information proprietary to Magnum Fitness Systems. It is submitted in confidence and is to be used solely for the purpose for which it is furnished. This document and such information is not to be reproduced, transmitted, or used in whole or part without written authorization.

TOLERANCES: + 0.000"  
- 1/16"

UNLESS OTHERWISE SPECIFIED  
DIMENSIONS ARE IN INCHES.

**MAGNUM FITNESS SYSTEMS**  
2201 12th. Avenue  
S. Milwaukee, WI, 53172

TITLE: 3000 SERIES WEIGHT STACK  
56" FRAME - 8 PLATE STACK

DRAWN BY:  
RAD

DATE:  
11/08/04

PART NO.  
101-286

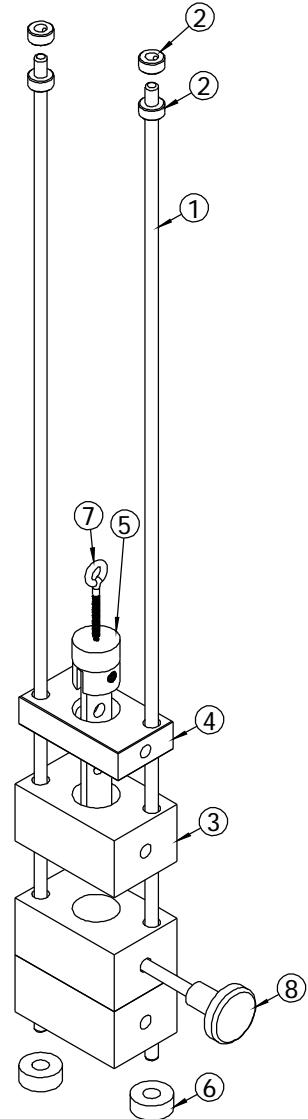
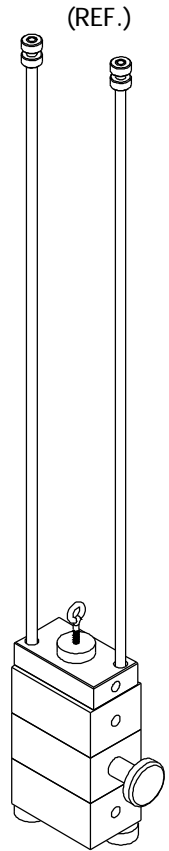
JOB NO.  
XXXXXXXX

REV:  
1

FILE LOCATION: C:\Cad Drawings\Solid Works\

1 OF 1

ITEM NO.	QTY.	PART NO.	DESCRIPTION
1	2	200-408	3/8" GUIDE ROD - 34 1/8"
2	4	852-607	3/8" SHAFT COLLAR
3	3	300-413	2" x 4" F.S. - 2 9/16"
4	1	807-001	1" x 2 1/4" F.S. - 4"
5	1	101-053	MINI WEIGHT STACK CENTER STICK
6	2	858-251	1/2" RUBBER BUMPER
7	1	818-899	3/8" EYE BOLT - 2 1/2"
8	1	852-008	SELECTOR PIN w/ 4" CORD



This document contains information proprietary to Magnum Fitness Systems. It is submitted in confidence and is to be used solely for the purpose for which it is furnished. This document and such information is not to be reproduced, transmitted, or used in whole or part without written authorization.

TOLERANCES: + 0.000"  
- 1/16"

UNLESS OTHERWISE SPECIFIED  
DIMENSIONS ARE IN INCHES.

DRAWN BY:  
J. Wenzel

**MAGNUM FITNESS SYSTEMS**  
2201 12th. Avenue  
S. Milwaukee, WI, 53172

TITLE: Mini-Weight Stack for Left Banana

DATE: 08/02/04	PART NO. 101-154	JOB NO. XXXXXXXX	REV: 1
-------------------	---------------------	---------------------	-----------

FILE LOCATION: C:\Cad Drawings\Solid Works\ 1 OF 1