

This document contains information proprietary to Magnum Fitness Systems. It is submitted in confidence and is to be used solely for the purpose for which it is furnished. This document and such information is not to be reproduced, transmitted, or used in whole or part without written authorization.

TOLERANCES: + 0.000"
- 1/16"

UNLESS OTHERWISE SPECIFIED
DIMENSIONS ARE IN INCHES.

DRAWN BY:
RAD

MAGNUM FITNESS SYSTEMS

2201 12th. Avenue
S. Milwaukee, WI, 53172

TITLE: 3002 LEG CURL PRONE

DATE:
11/09/04

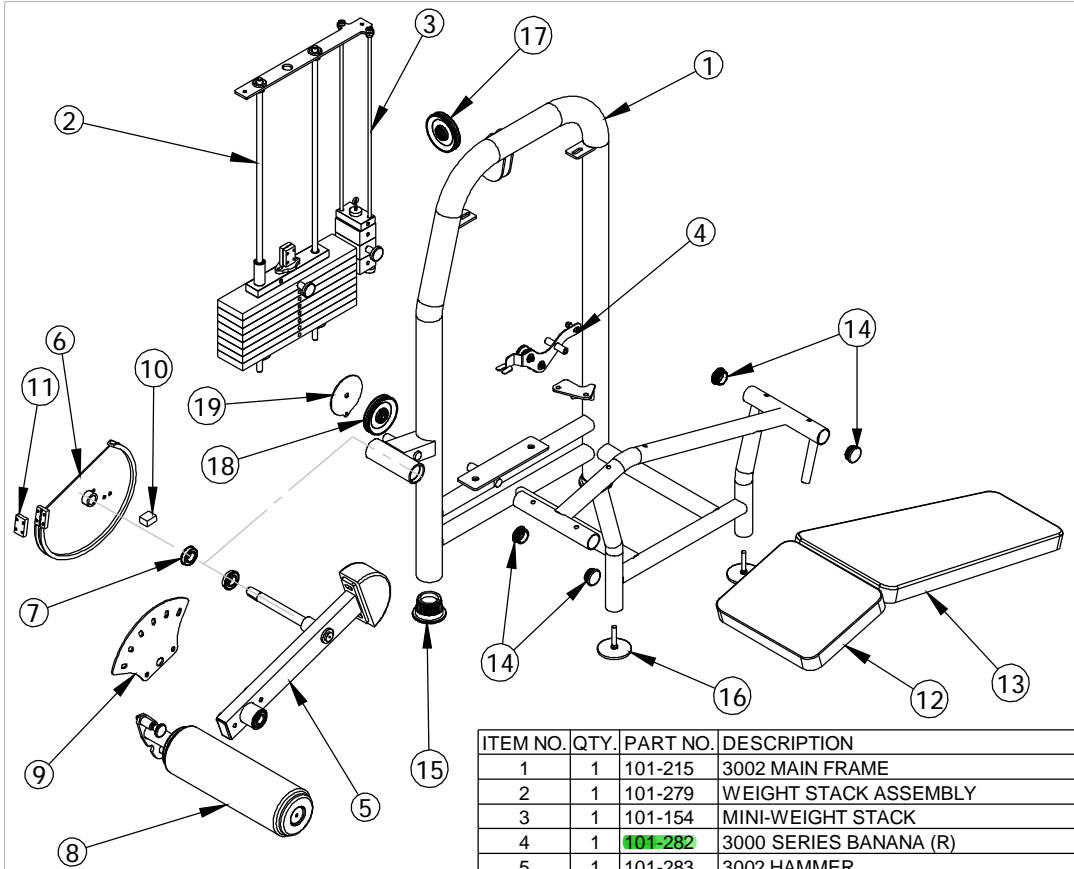
PART NO.
xxx-xxx

JOB NO.
XXXXXXXX

REV:
1

FILE LOCATION: C:\Cad Drawings\Solid Works\

1 OF 2



ITEM NO.	QTY.	PART NO.	DESCRIPTION
1	1	101-215	3002 MAIN FRAME
2	1	101-279	WEIGHT STACK ASSEMBLY
3	1	101-154	MINI-WEIGHT STACK
4	1	101-282	3000 SERIES BANANA (R)
5	1	101-283	3002 HAMMER
6	1	101-031	CAM
7	2	851-420	FLANGE BEARING - 1 1/8"
8	1	101-284	3002 ROLLER
9	1	339-041	3/16" PLASMA - CHROMED
10	1	339-021	CHROMED STOP
11	1	339-714	1/2" x 1 1/2" F.S. - 2 1/4"
12	1	900-024	UPHOLSTERY
13	1	901-041	UPHOLSTERY - 3002
14	4	850-035	2" ROUND END CAP
15	2	850-056	3" FOOT
16	2	833-129	4" FOOT (LONG)
17	1	853-303	4" CABLE PULLEY - 3/8" NARROW HOLE
18	1	853-300	4" CABLE PULLEY - 1/2" NARROW HOLE
19	1	501-125	1/8" PLASMA

This document contains information proprietary to Magnum Fitness Systems. It is submitted in confidence and is to be used solely for the purpose for which it is furnished. This document and such information is not to be reproduced, transmitted, or used in whole or part without written authorization.

TOLERANCES: + 0.000"
- 1/16"

UNLESS OTHERWISE SPECIFIED
DIMENSIONS ARE IN INCHES.

DRAWN BY:
RAD

MAGNUM FITNESS SYSTEMS

2201 12th. Avenue
S. Milwaukee, WI, 53172

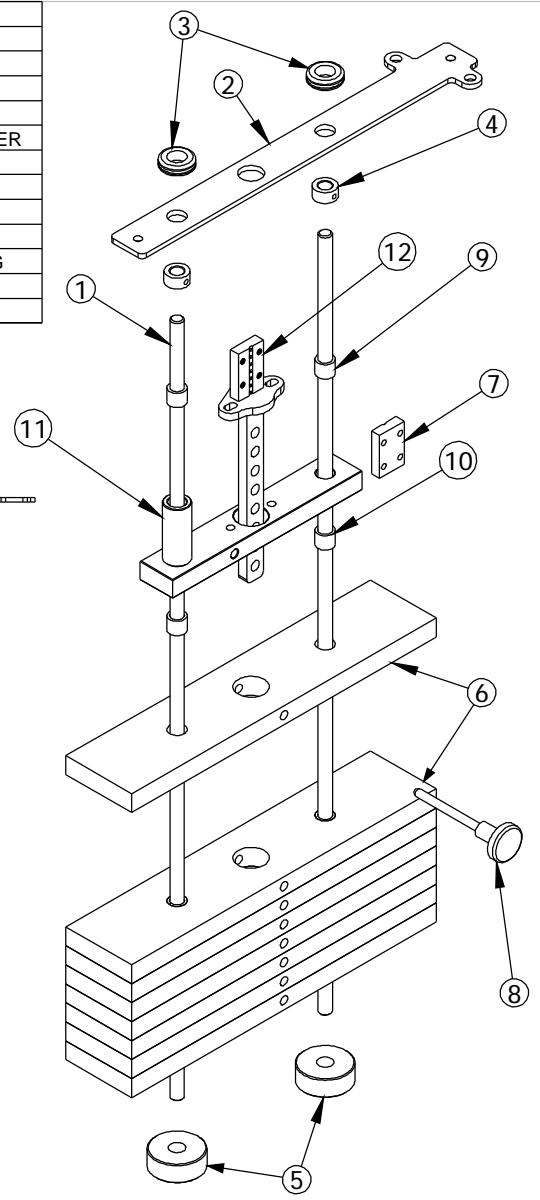
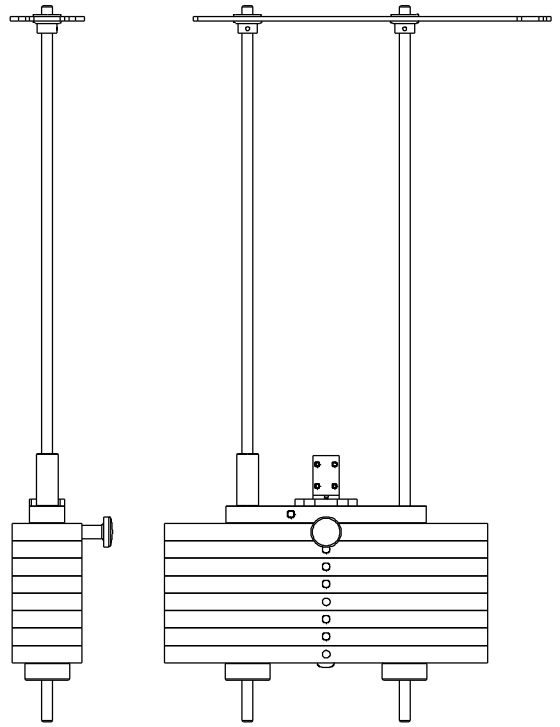
TITLE: 3002 LEG CURL - PRONE

DATE: 11/09/04	PART NO. xxx-xxx	JOB NO. XXXXXXXX	REV: 1
-------------------	---------------------	---------------------	-----------

FILE LOCATION: C:\Cad Drawings\Solid Works\

2 OF 2

ITEM NO.	QTY.	PART NO.	DESCRIPTION
1	2	200-384	5/8" GUIDE ROD - 41"
2	1	500-963	1/4" PLASMA
3	2	858-005	5/8" RUBBER GROMMET
4	2	852-610	5/8" SET COLLAR
5	2	838-211	ROUND WEIGHT STACK BUMPER
6	8	300-410	1" x 4" F.S. - 18 1/2"
7	1	339-714	1/2" x 1 1/2" F.S. - 2 1/4"
8	1	852-007	SELECTOR PIN w/ 6 1/2" CORD
9	2	849-001	7/8"OD x 5/8"ID x 3/4" BUSHING
10	16	849-002	7/8"OD x .640"ID x 3/4" BUSHING
11	1	101-129	TOP WEIGHT PLATE
12	1	101-280	CENTER STICK - 8



This document contains information proprietary to Magnum Fitness Systems. It is submitted in confidence and is to be used solely for the purpose for which it is furnished. This document and such information is not to be reproduced, transmitted, or used in whole or part without written authorization.

TOLERANCES: + 0.000"
- 1/16"

UNLESS OTHERWISE SPECIFIED
DIMENSIONS ARE IN INCHES.

DRAWN BY:
RAD

MAGNUM FITNESS SYSTEMS
2201 12th. Avenue
S. Milwaukee, WI, 53172

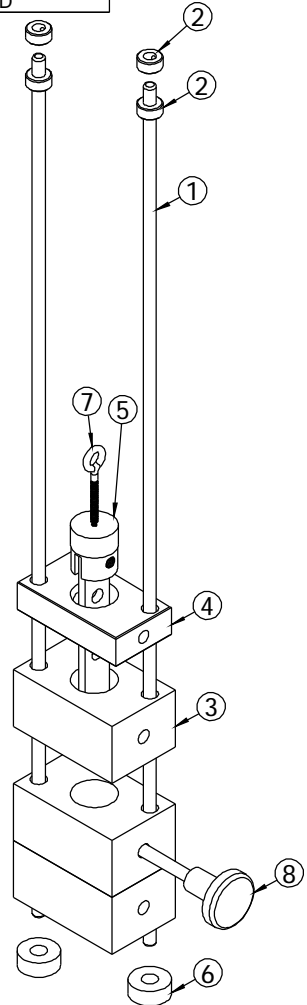
TITLE: 3000 SERIES WEIGHT STACK
56" FRAME - 8 PLATE STACK

DATE: 11/08/04	PART NO. 101-279	JOB NO. XXXXXXXX	REV: 1
-------------------	---------------------	---------------------	-----------

FILE LOCATION: C:\Cad Drawings\Solid Works\

1 OF 1

ITEM NO.	QTY.	PART NO.	DESCRIPTION
1	2	200-407	3/8" GUIDE ROD - 30 1/8"
2	4	852-607	3/8" SHAFT COLLAR
3	3	300-413	2" x 4" F.S. - 2 9/16"
4	1	807-001	1" x 2 1/4" F.S. - 4"
5	1	101-053	MINI WEIGHT STACK CENTER STICK
6	2	858-251	1/2" RUBBER BUMPER
7	1	818-899	3/8" EYE BOLT - 2 1/2"
8	1	852-008	SELECTOR PIN w/ 4" CORD



This document contains information proprietary to Magnum Fitness Systems. It is submitted in confidence and is to be used solely for the purpose for which it is furnished. This document and such information is not to be reproduced, transmitted, or used in whole or part without written authorization.

TOLERANCES: + 0.000"
- 1/16"

UNLESS OTHERWISE SPECIFIED
DIMENSIONS ARE IN INCHES.

MAGNUM FITNESS SYSTEMS
2201 12th. Avenue
S. Milwaukee, WI, 53172

TITLE: Mini-Weight Stack for Left Banana

DRAWN BY:
J. Wenzel

DATE:
08/02/04

PART NO.
101-146

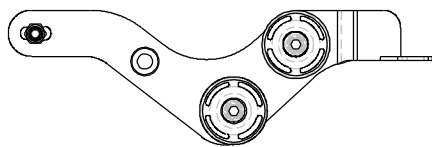
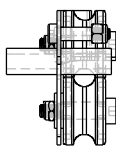
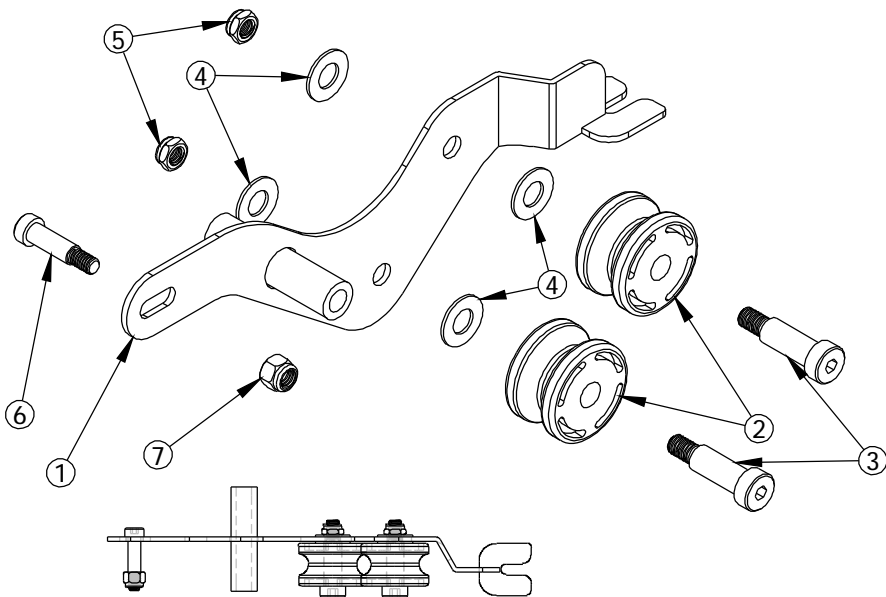
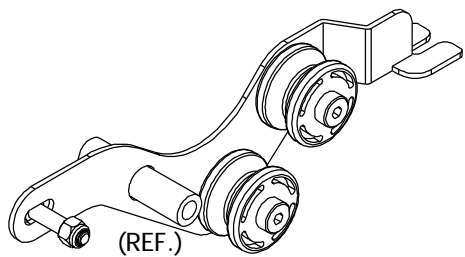
JOB NO.
XXXXXXXX

REV:
1

FILE LOCATION: C:\Cad Drawings\Solid Works\

1 OF 1

ITEM NO.	QTY.	PART NO.	DESCRIPTION
1	1	101-281	BANANA SUB-ASSEMBLY
2	2	853-314	ROLLER w/ BEARING
3	2	810-954	1/2" x 1 1/4" SHOULDER BOLT
4	4	818-008	1/2" FLAT WASHER
5	2	817-306	3/8"-16 JAM NUT
6	1	810-953	3/8" SHOULDER BOLT - 1"
7	1	817-406	3/8" NUT



This document contains information proprietary to Magnum Fitness Systems. It is submitted in confidence and is to be used solely for the purpose for which it is furnished. This document and such information is not to be reproduced, transmitted, or used in whole or part without written authorization.

TOLERANCES: + 0.000"
- 1/16"

UNLESS OTHERWISE SPECIFIED
DIMENSIONS ARE IN INCHES.

DRAWN BY:
RAD

MAGNUM FITNESS SYSTEMS
2201 12th. Avenue
S. Milwaukee, WI, 53172

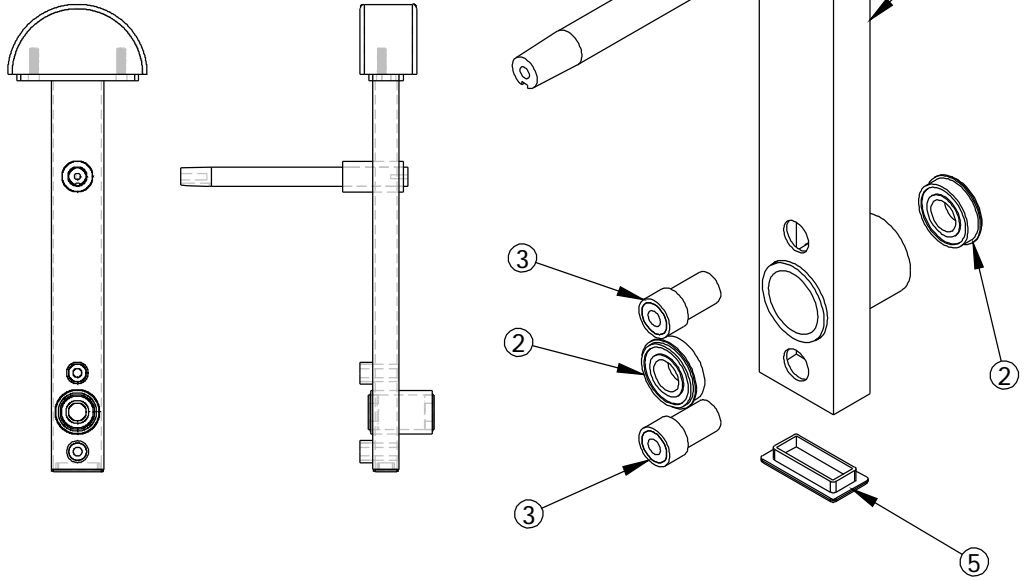
TITLE: 3000 SERIES BANANA (RIGHT)

DATE: 11/08/04	PART NO. 101-282	JOB NO. XXXXXXXX	REV: 1
-------------------	---------------------	---------------------	-----------

FILE LOCATION: C:\Cad Drawings\Solid Works\

1 OF 1

ITEM NO.	QTY.	PART NO.	DESCRIPTION
1	1	101-218	3002 HAMMER SUB-ASSEMBLY
2	2	851-416	FLANGE BEARING - 1"
3	2	101-082	STOP
4	1	200-202	8" CRR - 3 1/4"
5	1	850-011	1 1/2" x 3" END CAP



This document contains information proprietary to Magnum Fitness Systems. It is submitted in confidence and is to be used solely for the purpose for which it is furnished. This document and such information is not to be reproduced, transmitted, or used in whole or part without written authorization.

TOLERANCES: + 0.000"
- 1/16"

UNLESS OTHERWISE SPECIFIED
DIMENSIONS ARE IN INCHES.

DRAWN BY:
RAD

MAGNUM FITNESS SYSTEMS
2201 12th. Avenue
S. Milwaukee, WI, 53172

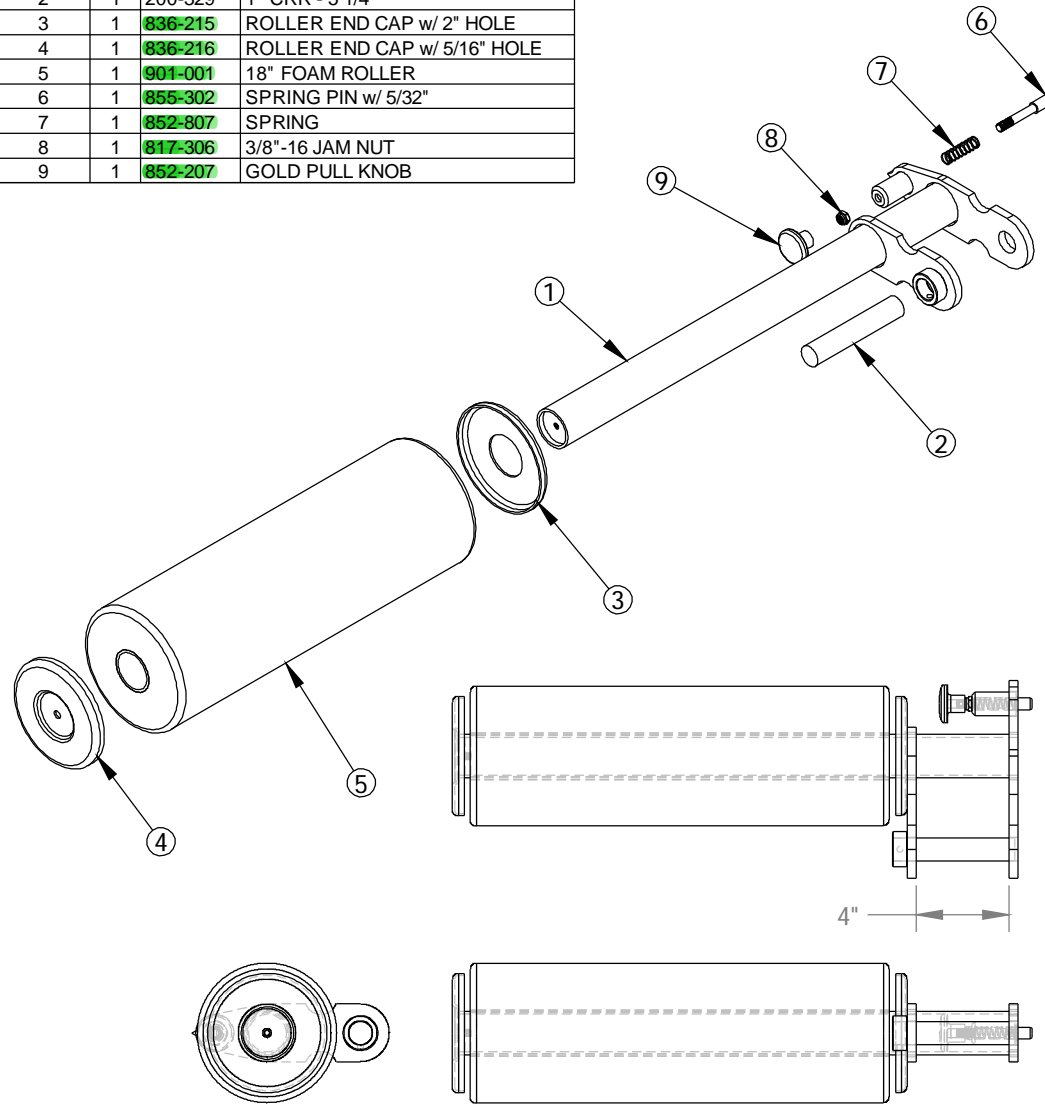
TITLE: 3002 HAMMER

DATE: 11/08/04	PART NO. 101-283	JOB NO. XXXXXXXX	REV: 1
-------------------	---------------------	---------------------	-----------

FILE LOCATION: C:\Cad Drawings\Solid Works\

1 OF 1

ITEM NO.	QTY.	PART NO.	DESCRIPTION
1	1	101-219	3002 ROLLER
2	1	200-329	1" CRR - 5 1/4"
3	1	836-215	ROLLER END CAP w/ 2" HOLE
4	1	836-216	ROLLER END CAP w/ 5/16" HOLE
5	1	901-001	18" FOAM ROLLER
6	1	855-302	SPRING PIN w/ 5/32"
7	1	852-807	SPRING
8	1	817-306	3/8"-16 JAM NUT
9	1	852-207	GOLD PULL KNOB



This document contains information proprietary to Magnum Fitness Systems. It is submitted in confidence and is to be used solely for the purpose for which it is furnished. This document and such information is not to be reproduced, transmitted, or used in whole or part without written authorization.

TOLERANCES: + 0.000"
- 1/16"

UNLESS OTHERWISE SPECIFIED
DIMENSIONS ARE IN INCHES.

DRAWN BY:
RAD

MAGNUM FITNESS SYSTEMS

2201 12th. Avenue
S. Milwaukee, WI, 53172

TITLE: 3002 ROLLER ASSEMBLY

DATE: 11/05/04	PART NO. 101-284	JOB NO. XXXXXXXX	REV: 1
-------------------	---------------------	---------------------	-----------

FILE LOCATION: C:\Cad Drawings\Solid Works\

1 OF 1