

This document contains information proprietary to Magnum Fitness Systems. It is submitted in confidence and is to be used solely for the purpose for which it is furnished. This document and such information is not to be reproduced, transmitted, or used in whole or part without written authorization.

TOLERANCES: + 0.000"
- 1/16"

UNLESS OTHERWISE SPECIFIED
DIMENSIONS ARE IN INCHES.

MAGNUM FITNESS SYSTEMS
2201 12th. Avenue
S. Milwaukee, WI, 53172

TITLE: M51 V 1.0
45° ANGLED LEG PRESS

DRAWN BY:
J. Wenzel

DATE:
07/02/04

PART NO.:
XXX-XXX

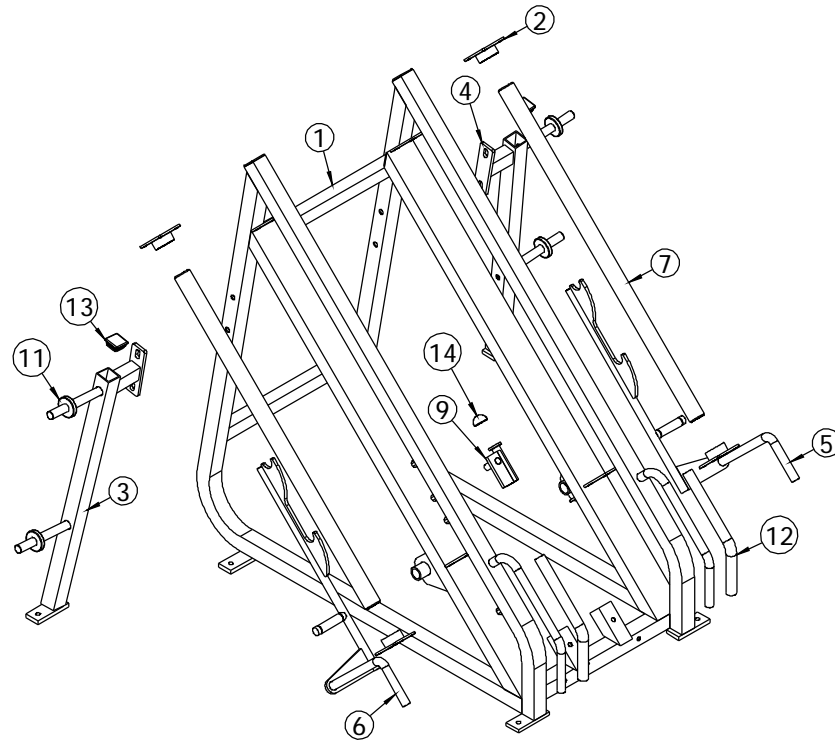
JOB NO.:
XXXXXXXX

REV:
1

FILE LOCATION: C:\Cad Drawings\Solid Works\

1 OF 4

ITEM NO.	QTY.	PART NO.	DESCRIPTION
1	1	100-515	MAIN FRAME
2	4	100-517	LINEAR SHAFT BRACKET
3	1	100-520	LEFT WEIGHT STORAGE ARM
4	1	100-521	RIGHT WEIGHT STORAGE ARM
5	1	100-524	WIEGHT ARM ERST (RIGHT)
6	1	100-525	WIEGHT REST ARM (LEFT)
7	2	851-130	2" LINEAR SHAFT - 44"
9	1	100-527	SAFETY STOP ASSEMBLY
11	4	858-252	2 1/2"OD x 1"ID RUBBER DOUGHNUT - 1/2"
12	2	700-022	GRIP
13	4	850-004	2" x 2" END CAP
14	1	838-223	HALF-ROUND RUBBER BUMPER



This document contains information proprietary to Magnum Fitness Systems. It is submitted in confidence and is to be used solely for the purpose for which it is furnished. This document and such information is not to be reproduced, transmitted, or used in whole or part without written authorization.

TOLERANCES: + 0.000"
- 1/16"

UNLESS OTHERWISE SPECIFIED
DIMENSIONS ARE IN INCHES.

MAGNUM FITNESS SYSTEMS
2201 12th. Avenue
S. Milwaukee, WI, 53172

TITLE: M51 v1.0
Main Frame

DRAWN BY:
J. Wenzel

DATE:
07/02/04

PART NO.
XXX-XXX

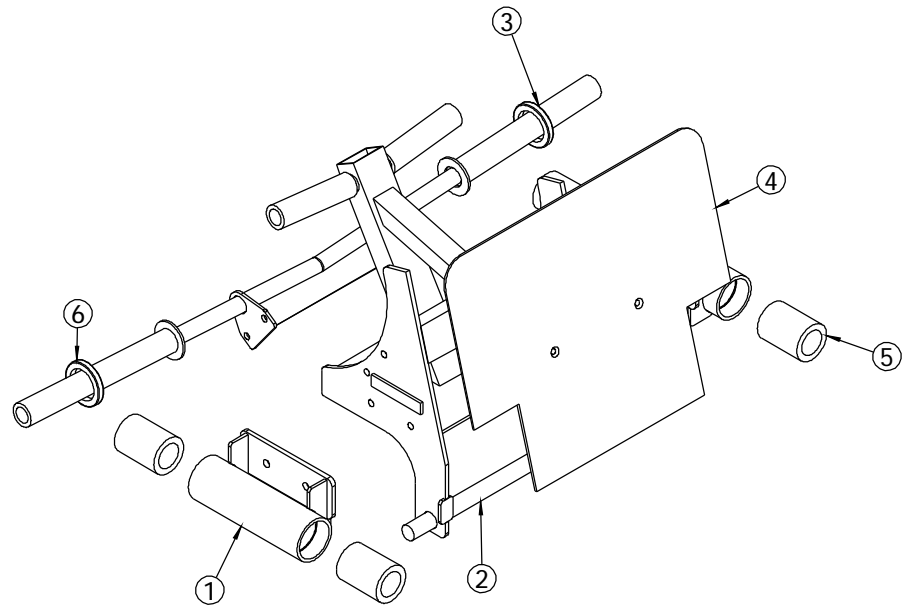
JOB NO.
XXXXXXXX

REV:
1

FILE LOCATION: C:\Cad Drawings\Solid Works\

2 OF 4

ITEM NO.	QTY.	PART NO.	DESCRIPTION
1	2	100-516	LINEAR BEARING BRACKET
2	1	100-523	WEIGHT CARRIAGE
3	1	100-526	WIEGHT BAR
4	1	500-567	3/16" D PLATE
5	4	851-116	2"ID LINEAR BEARING
6	2	858-254	2 1/2" ID - 3 1/2" OD RUBBER DOUGHNUT - 1/2"



This document contains information proprietary to Magnum Fitness Systems. It is submitted in confidence and is to be used solely for the purpose for which it is furnished. This document and such information is not to be reproduced, transmitted, or used in whole or part without written authorization.

TOLERANCES: + 0.000"
- 1/16"

UNLESS OTHERWISE SPECIFIED
DIMENSIONS ARE IN INCHES.

DRAWN BY:
J. Wenzel

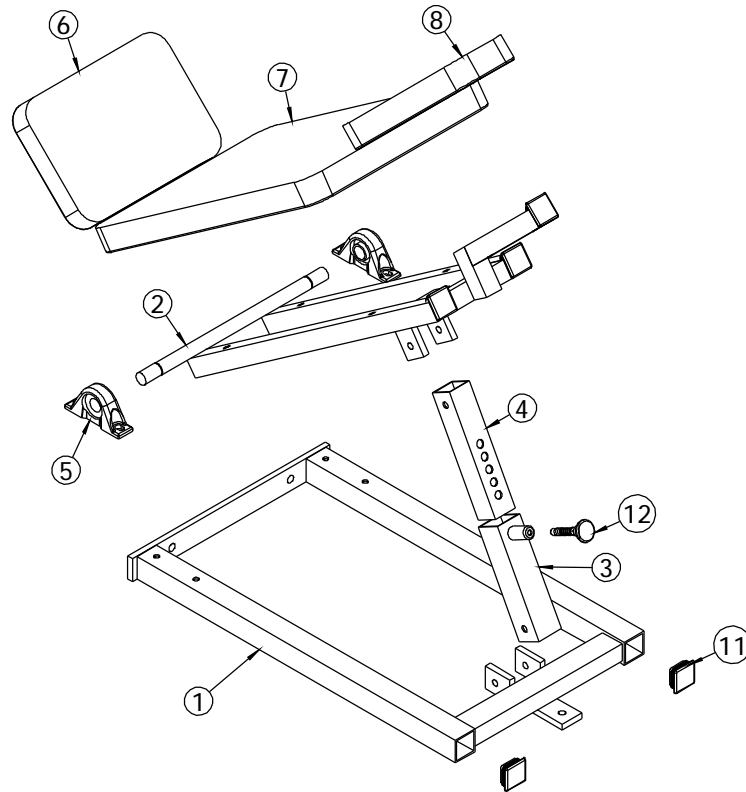
MAGNUM FITNESS SYSTEMS
2201 12th. Avenue
S. Milwaukee, WI, 53172

TITLE: M51 v 1.0
Leg Press

DATE: 07/02/04	PART NO. XXX-XXX	JOB NO. XXXXXXXX	REV: 1
-------------------	---------------------	---------------------	-----------

FILE LOCATION: C:\Cad Drawings\Solid Works\ 3 OF 4

ITEM NO.	QTY.	PART NO.	DESCRIPTION
1	1	100-518	SEAT SUB-FRAME
2	1	100-519	SEAT FRAME
3	1	100-522	ADJUSTMENT TUBE
4	1	339-739	ADJUSTER TUBE
5	2	851-317	1" PILLOW BLOCK
6	1	900-227	SEAT PAD
7	1	900-228	BACK PAD
8	1	900-229	HEAD PAD
11	5	850-004	2" x 2" END CAP
12	1	101-140	SPRING PIN ASSEMBLY



This document contains information proprietary to Magnum Fitness Systems. It is submitted in confidence and is to be used solely for the purpose for which it is furnished. This document and such information is not to be reproduced, transmitted, or used in whole or part without written authorization.

TOLERANCES: + 0.000"
- 1/16"

UNLESS OTHERWISE SPECIFIED
DIMENSIONS ARE IN INCHES.

DRAWN BY:
J. Wenzel

MAGNUM FITNESS SYSTEMS
2201 12th. Avenue
S. Milwaukee, WI, 53172

TITLE: M51 v 1.0
Seat Assembly

DATE: 07/02/04	PART NO. XXX-XXX	JOB NO. XXXXXXXX	REV: 1
-------------------	---------------------	---------------------	-----------

FILE LOCATION: C:\Cad Drawings\Solid Works\

4 OF 4