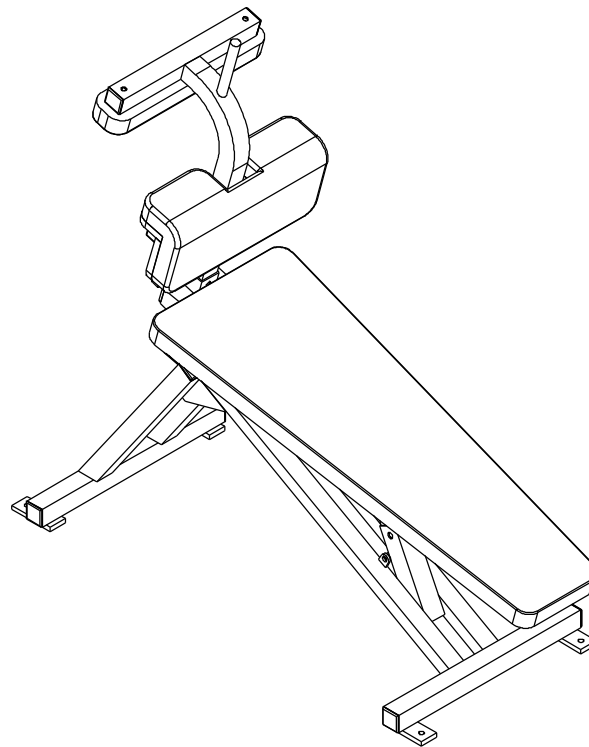


ITEM NO.	QTY.	PART NO.	DESCRIPTION
1	1	100-664	Main Frame
2	1	100-665	Back Pad Frame
3	1	100-666	Slide
4	1	100-529	Bent Pad Frame
5	1	339-910	Chrome Slide
6	2	851-317	1" PILLOW BLOCK
7	1	900-252	Back Pad
8	1	900-253	Bent Pad
9	1	900-254	Ankle Pad
10	2	838-223	HALF-ROUND RUBBER BUMPER
11	14	850-004	2" x 2" END CAP
12	2	101-140	SPRING PIN ASSEMBLY
13	1	852-826	SHOCK
14	2	851-555	3/8"ID x 1/2"OD x 1/2" FLANGE BUSHING



This document contains information proprietary to Magnum Fitness Systems. It is submitted in confidence and is to be used solely for the purpose for which it is furnished. This document and such information is not to be reproduced, transmitted, or used in whole or part without written authorization.

TOLERANCES: + 0.000"
- 1/16"

UNLESS OTHERWISE SPECIFIED
DIMENSIONS ARE IN INCHES.

DRAWN BY:
Josh Ellis

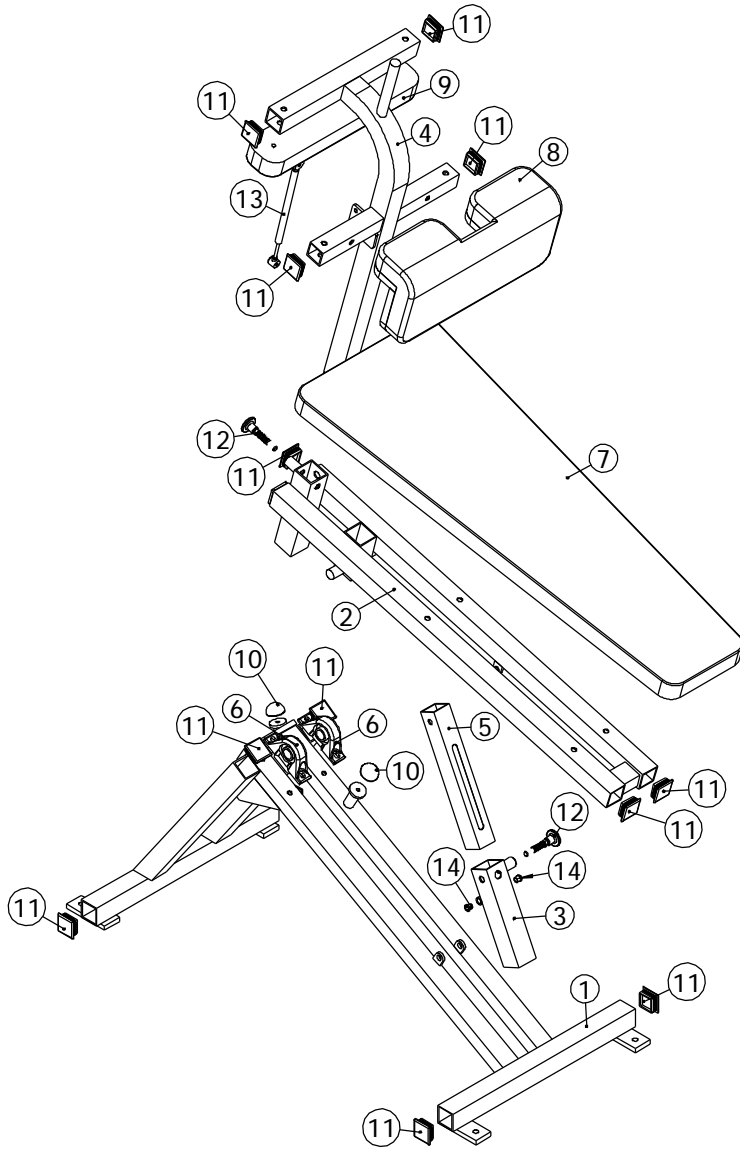
MAGNUM FITNESS SYSTEMS
2201 12th. Avenue
S. Milwaukee, WI, 53172

TITLE: M77 - Adjustable Crunch Board

DATE: 07/19/07	PART NO. xxx-xxx	JOB NO. XXXXXXXX	REV: 1
-------------------	---------------------	---------------------	-----------

FILE LOCATION: C:\Cad Drawings\Solid Works\

1 OF 2



This document contains information proprietary to Magnum Fitness Systems. It is submitted in confidence and is to be used solely for the purpose for which it is furnished. This document and such information is not to be reproduced, transmitted, or used in whole or part without written authorization.

TOLERANCES: + 0.000"
- 1/16"

MAGNUM FITNESS SYSTEMS
2201 12th. Avenue
S. Milwaukee, WI, 53172

UNLESS OTHERWISE SPECIFIED
DIMENSIONS ARE IN INCHES.

TITLE: M77 - Adjustable Crunch Board

DRAWN BY:
Josh Ellis

DATE:
07/19/07

PART NO.
xxx-xxx

JOB NO.
XXXXXXXX

REV:
1

FILE LOCATION: C:\Cad Drawings\Solid Works\

2 OF 2