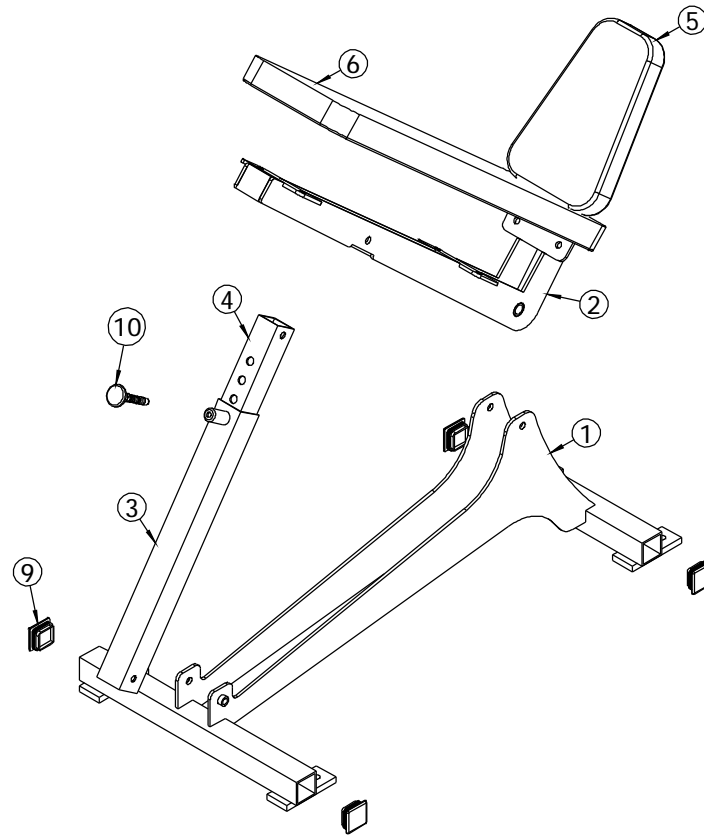


| ITEM NO. | QTY. | PART NO. | DESCRIPTION |
|----------|------|----------|---------------------|
| 1 | 1 | 100-645 | MAIN FRAME |
| 2 | 1 | 100-646 | SEAT FRAME |
| 3 | 1 | 100-644 | ADJUSTMENT TUBE |
| 4 | 1 | 339-733 | ADJUSTABLE TUBE |
| 5 | 1 | 900-022 | SEAT PAD |
| 6 | 1 | 900-235 | BACK PAD |
| 9 | 4 | 850-004 | 2" x 2" END CAP |
| 10 | 1 | 101-140 | SPRING PIN ASSEMBLY |



This document contains information proprietary to Magnum Fitness Systems. It is submitted in confidence and is to be used solely for the purpose for which it is furnished. This document and such information is not to be reproduced, transmitted, or used in whole or part without written authorization.

TOLERANCES: + 0.000"
- 1/16"

UNLESS OTHERWISE SPECIFIED
DIMENSIONS ARE IN INCHES.

DRAWN BY:
J. Wenzel

MAGNUM FITNESS SYSTEMS
2201 12th. Avenue
S. Milwaukee, WI, 53172

TITLE: M60 v 1.0 ADJUSTABLE INCLINE

| | | | |
|-------------------|---------------------|---------------------|-----------|
| DATE: 07/02/04 | PART NO. XXX-XXX | JOB NO. XXXXXXXX | REV: 1 |
|-------------------|---------------------|---------------------|-----------|

FILE LOCATION: C:\Cad Drawings\Solid Works\

1 OF 1