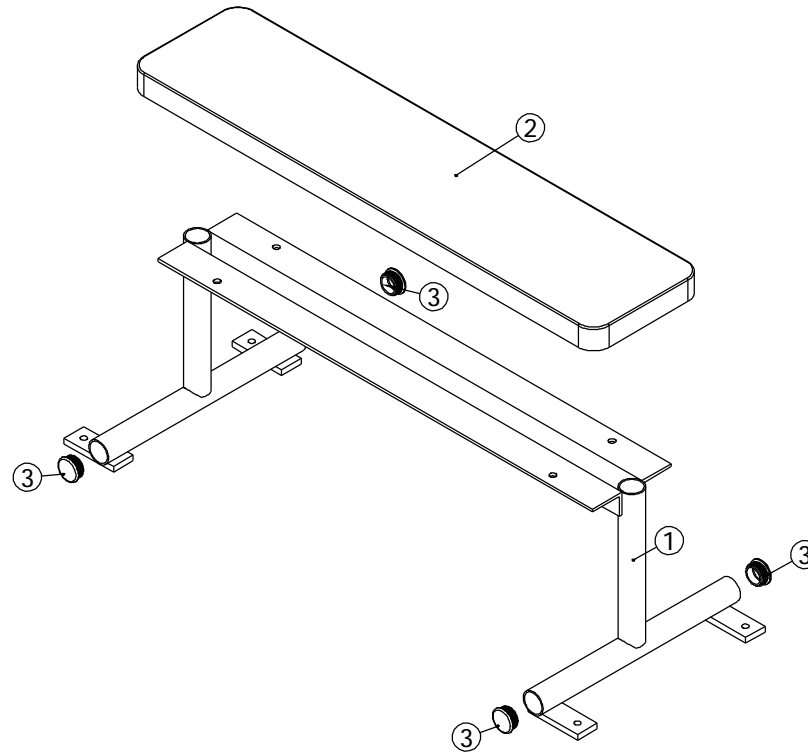


ITEM NO.	QTY.	PART NO.	DESCRIPTION
1	1	101-579	Main Frame
2	1	900-233	BACK PAD
3	4	850-035	2" ROUND END CAP



This document contains information proprietary to Magnum Fitness Systems. It is submitted in confidence and is to be used solely for the purpose for which it is furnished. This document and such information is not to be reproduced, transmitted, or used in whole or part without written authorization.

TOLERANCES: + 0.000"
- 1/16"

UNLESS OTHERWISE SPECIFIED
DIMENSIONS ARE IN INCHES.

DRAWN BY:
Josh Ellis

DATE:
05/02/06

PART NO.
xxx-xxx

JOB NO.
XXXXXXXX

REV:
1

MAGNUM FITNESS SYSTEMS

2201 12th. Avenue
S. Milwaukee, WI, 53172

TITLE: M59 - Flat Bench v2.0

FILE LOCATION: C:\Cad Drawings\Solid Works\

1 OF 1