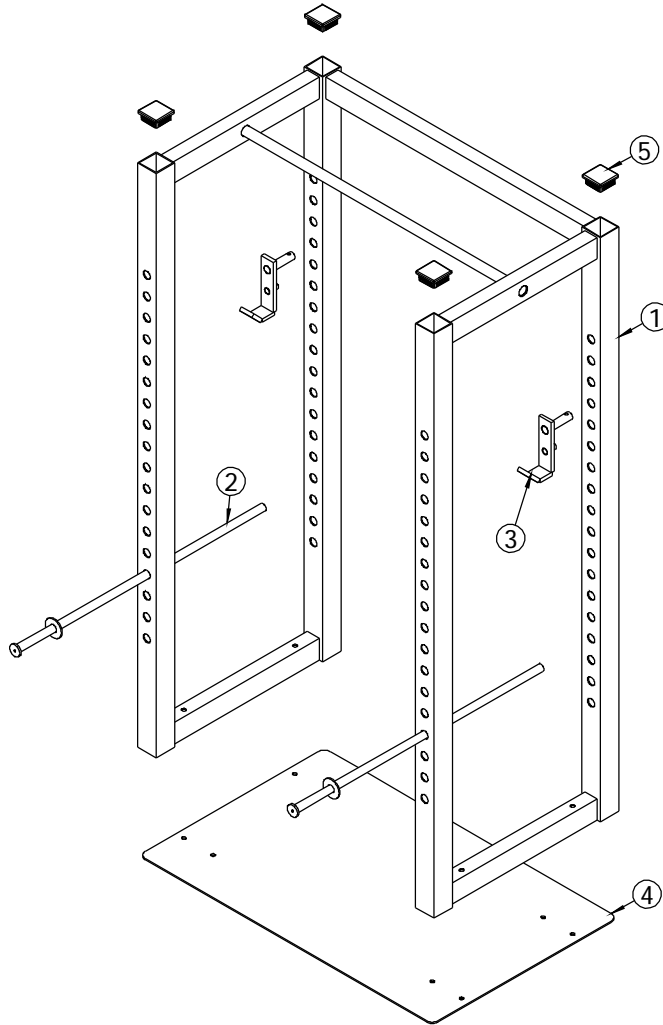


ITEM NO.	QTY.	PART NO.	DESCRIPTION
1	1	100-643	MAIN FRAME
2	2	100-642	SAFTY BAR
3	2	100-641	ADJUSTABLE HOOK
4	1	500-580	D PLATE - 30" x 47 1/2"
5	4	850-036	3" x 3" END CAP



This document contains information proprietary to Magnum Fitness Systems. It is submitted in confidence and is to be used solely for the purpose for which it is furnished. This document and such information is not to be reproduced, transmitted, or used in whole or part without written authorization.

TOLERANCES: + 0.000"  
- 1/16"

UNLESS OTHERWISE SPECIFIED  
DIMENSIONS ARE IN INCHES.

DRAWN BY:  
J. Wenzel

**MAGNUM FITNESS SYSTEMS**

2201 12th. Avenue  
S. Milwaukee, WI, 53172

TITLE: M54 v 1.0 POWER RACK

DATE:  
07/02/04

PART NO.  
XXX-XXX

JOB NO.  
XXXXXXXX

REV:  
1

FILE LOCATION: C:\Cad Drawings\Solid Works\

1 OF 1