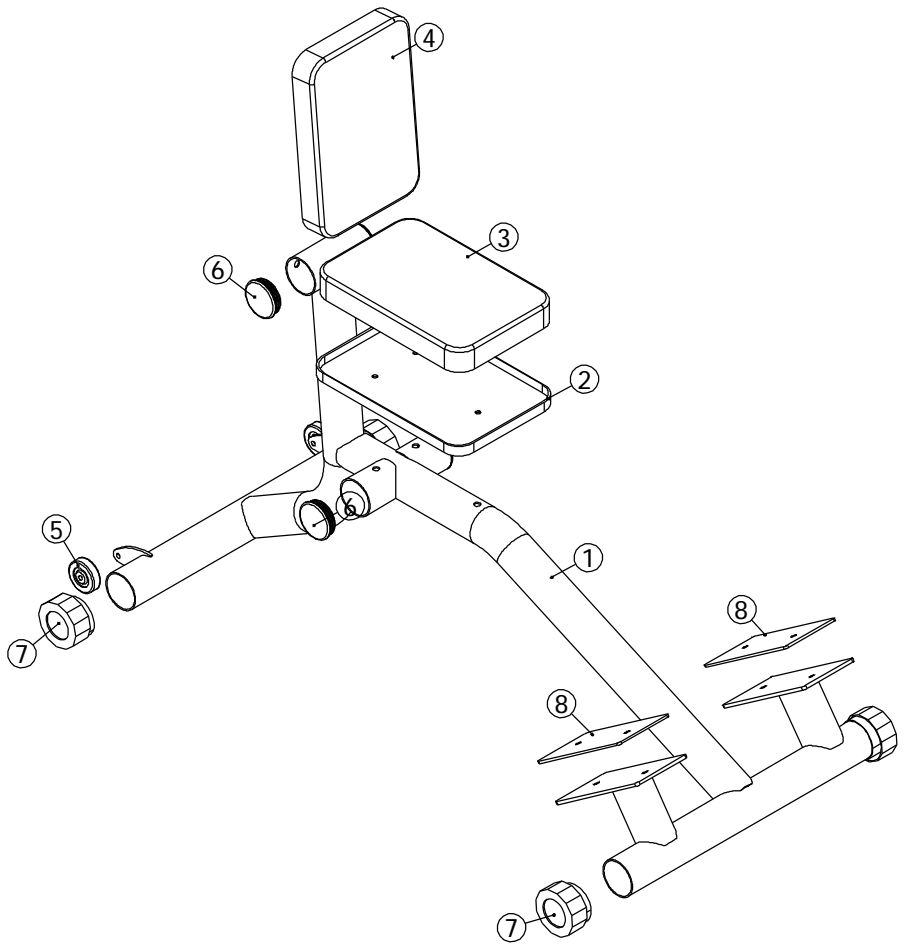


ITEM NO.	QTY.	PART NO.	DESCRIPTION
1	1	101-703	Main Frame
2	1	836-217	Seat Pan
3	1	900-261	Seat Pad
4	1	900-262	Back Pad
5	2	850-507	2 1/2" Wheel
6	4	850-045	3" ROUND END CAP
7	4	850-061	3" Hex Foot
8	2	500-604	DIAMOND PLATE



This document contains information proprietary to Magnum Fitness Systems. It is submitted in confidence and is to be used solely for the purpose for which it is furnished. This document and such information is not to be reproduced, transmitted, or used in whole or part without written authorization.

TOLERANCES: + 0.000"
- 1/16"

UNLESS OTHERWISE SPECIFIED
DIMENSIONS ARE IN INCHES.

DRAWN BY:
Josh Ellis

MAGNUM FITNESS SYSTEMS
2201 12th. Avenue
S. Milwaukee, WI, 53172

TITLE: A87 - Pressing Chair

DATE: 06/27/07	PART NO. xxx-xxx	JOB NO. XXXXXXXX	REV: 1
-------------------	---------------------	---------------------	-----------

FILE LOCATION: C:\Cad Drawings\Solid Works\ 1 OF 1