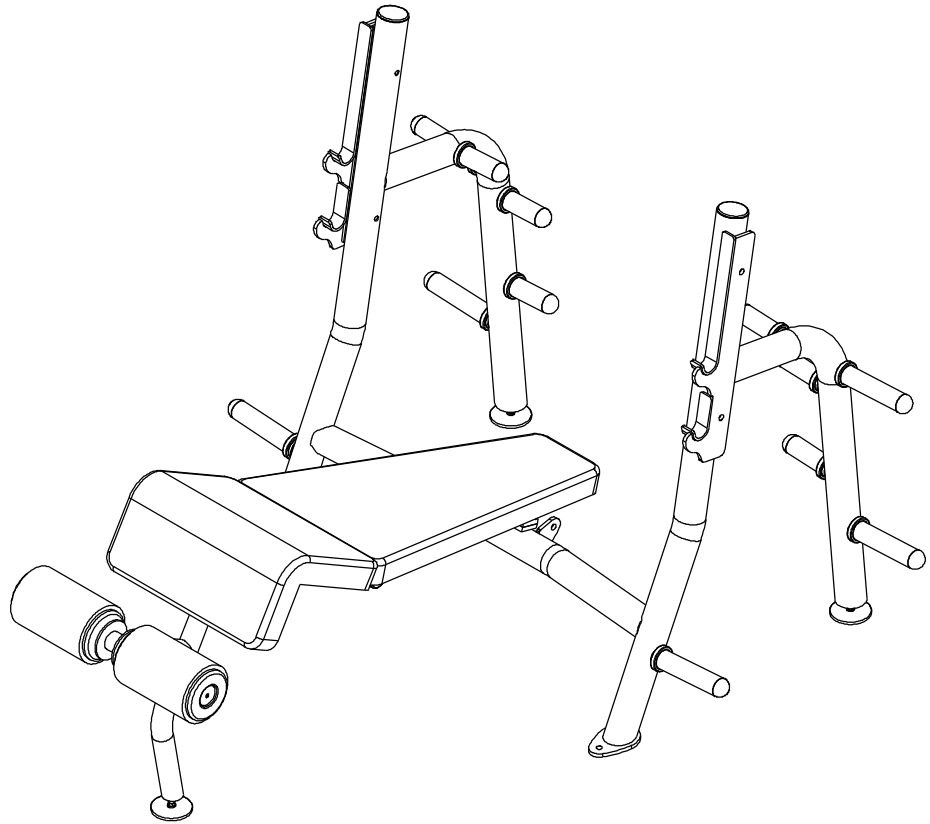


ITEM NO.	QTY.	PART NO.	DESCRIPTION
2	1	101-625	Bench Frame
3	12	850-030	Bullet End Cap
4	12	858-253	2 1/2"OD x 1 7/8"ID RUBBER BUMPER - 1/2"
5	2	850-045	3" ROUND END CAP
6	5	850-035	2" ROUND END CAP
7	3	833-129	4" FOOT (LONG)
8	1	900-017	Upholstery - Back Pad
9	1	900-018	Upholstery - Bent Pad
10	2	902-007	9" ROLLER PAD
11	2	836-215	ROLLER END CAP w/ 2" HOLE
12	2	836-216	ROLLER END CAP w/ 5/16" HOLE
13	1	339-079	Chrome Take Off (Right)
14	1	339-080	Chrome Take Off (Left)
15	1	101-706	Main Frame



This document contains information proprietary to Magnum Fitness Systems. It is submitted in confidence and is to be used solely for the purpose for which it is furnished. This document and such information is not to be reproduced, transmitted, or used in whole or part without written authorization.

TOLERANCES: + 0.000"
- 1/16"

UNLESS OTHERWISE SPECIFIED
DIMENSIONS ARE IN INCHES.

DRAWN BY:
Josh Ellis

MAGNUM FITNESS SYSTEMS
2201 12th. Avenue
S. Milwaukee, WI, 53172

TITLE: A80 - Decline Press w/ Storage

DATE:
07/03/07

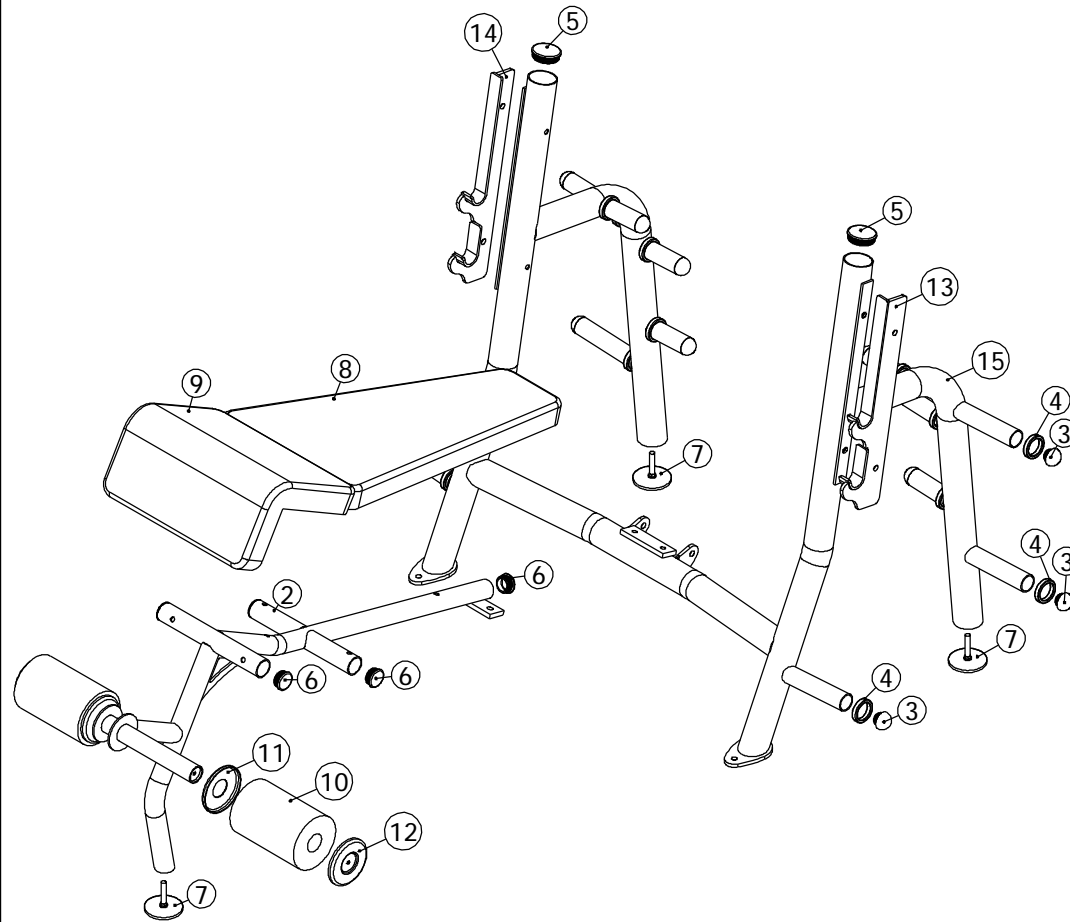
PART NO.
xxx-xxx

JOB NO.
XXXXXXXX

REV:
1

FILE LOCATION: C:\Cad Drawings\Solid Works\

1 OF 2



This document contains information proprietary to Magnum Fitness Systems. It is submitted in confidence and is to be used solely for the purpose for which it is furnished. This document and such information is not to be reproduced, transmitted, or used in whole or part without written authorization.

TOLERANCES: + 0.000"
- 1/16"

UNLESS OTHERWISE SPECIFIED
DIMENSIONS ARE IN INCHES.

MAGNUM FITNESS SYSTEMS
2201 12th. Avenue
S. Milwaukee, WI, 53172

TITLE: A80 - Decline Press w/ Storage

DRAWN BY:
Josh Ellis

DATE:
07/03/07

PART NO.:
xxx-xxx

JOB NO.:
XXXXXXXX

REV:
1

FILE LOCATION: C:\Cad Drawings\Solid Works\

2 OF 2