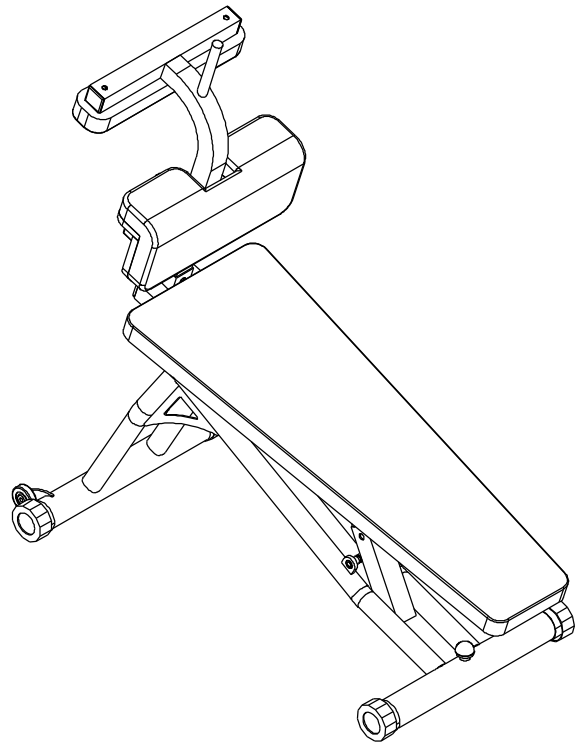
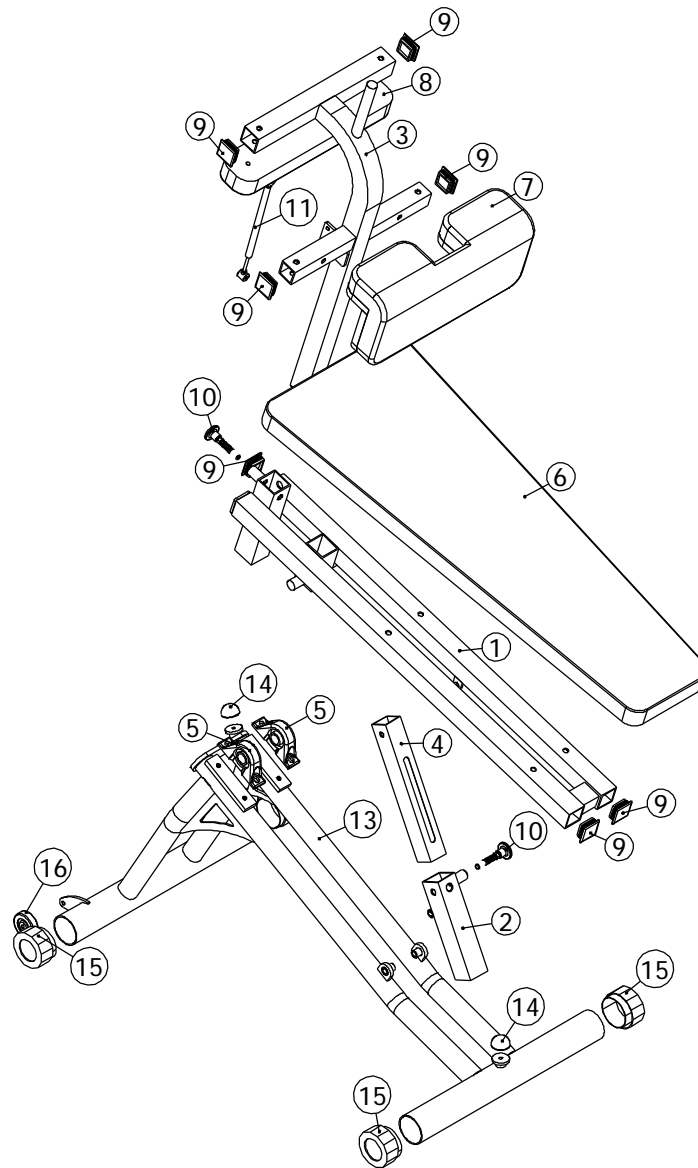


TEM NO.	QTY.	PART NO.	DESCRIPTION
1	1	100-665	Back Pad Frame
2	1	100-666	Slide
3	1	100-529	Bent Pad Frame
4	1	339-910	Chrome Slide
5	2	851-317	1" PILLOW BLOCK
6	1	900-252	Back Pad
7	1	900-253	Bent Pad
8	1	900-254	Ankle Pad
9	8	850-004	2" x 2" END CAP
10	2	101-140	SPRING PIN ASSEMBLY
11	1	852-826	SHOCK
13	1	101-572	Main Frame
14	2	838-223	HALF-ROUND RUBBER BUMPER
15	4	850-061	3" Hex Foot
16	2	850-507	2 1/2" Wheel



<p>This document contains information proprietary to Magnum Fitness Systems. It is submitted in confidence and is to be used solely for the purpose for which it is furnished. This document and such information is not to be reproduced, transmitted, or used in whole or part without written authorization.</p>	<p>TOLERANCES: + 0.000" - 1/16"</p>		<p>MAGNUM FITNESS SYSTEMS 2201 12th. Avenue S. Milwaukee, WI, 53172</p>		
	<p>UNLESS OTHERWISE SPECIFIED DIMENSIONS ARE IN INCHES.</p>		<p>TITLE: A77 - Adjustable Crunch Board</p>		
<p>DRAWN BY: Josh Ellis</p>	<p>DATE: 07/23/07</p>	<p>PART NO. xxx-xxx</p>	<p>JOB NO. XXXXXXXX</p>	<p>REV: 1</p>	
<p>FILE LOCATION: C:\Cad Drawings\Solid Works\</p>					<p>1 OF 2</p>



This document contains information proprietary to Magnum Fitness Systems. It is submitted in confidence and is to be used solely for the purpose for which it is furnished. This document and such information is not to be reproduced, transmitted, or used in whole or part without written authorization.

TOLERANCES: + 0.000"
- 1/16"

UNLESS OTHERWISE SPECIFIED
DIMENSIONS ARE IN INCHES.

MAGNUM FITNESS SYSTEMS
2201 12th. Avenue
S. Milwaukee, WI, 53172

TITLE: A77 - Adjustable Crunch Board

DRAWN BY:
Josh Ellis

DATE:
07/23/07

PART NO.
xxx-xxx

JOB NO.
XXXXXXXXX

REV:
1

FILE LOCATION: C:\Cad Drawings\Solid Works\

2 OF 2