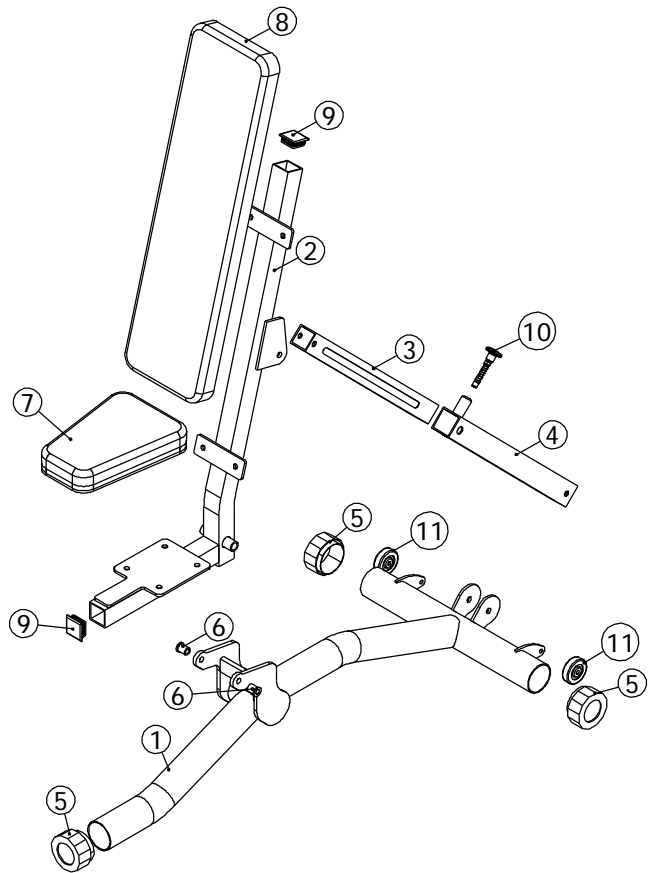


ITEM NO.	QTY.	PART NO.	DESCRIPTION
1	1	101-770	Main Frame
2	1	101-771	Seat Frame
3	1	339-733	ADJUSTABLE TUBE
4	1	100-644	ADJUSTMENT TUBE
5	3	850-061	3" Hex Foot
6	2	851-505	Flange Bushing - 3/4"OD x 1/2"ID
7	1	900-065	SEAT PAD
8	1	900-066	Back Pad
9	2	850-004	2" x 2" END CAP
10	1	101-140	SPRING PIN ASSEMBLY
11	2	850-507	2 1/2" Wheel



<p>This document contains information proprietary to Magnum Fitness Systems. It is submitted in confidence and is to be used solely for the purpose for which it is furnished. This document and such information is not to be reproduced, transmitted, or used in whole or part without written authorization.</p>	<p>TOLERANCES: + 0.000" - 1/16"</p>	<p><b>MAGNUM FITNESS SYSTEMS</b> 2201 12th. Avenue S. Milwaukee, WI, 53172</p>		
	<p>UNLESS OTHERWISE SPECIFIED DIMENSIONS ARE IN INCHES.</p>	<p>TITLE: A60 - Adjustable Incline Bench</p>		
<p>DRAWN BY: Josh Ellis</p>	<p>DATE: 02/09/06</p>	<p>PART NO. xxx-xxx</p>	<p>JOB NO. XXXXXXXX</p>	<p>REV: 1</p>
<p>FILE LOCATION: C:\Cad Drawings\Solid Works\</p>				<p>1 OF 1</p>