

This document contains information proprietary to Magnum Fitness Systems. It is submitted in confidence and is to be used solely for the purpose for which it is furnished. This document and such information is not to be reproduced, transmitted, or used in whole or part without written authorization.

TOLERANCES: + 0.000"
- 1/16"

UNLESS OTHERWISE SPECIFIED
DIMENSIONS ARE IN INCHES.

DRAWN BY:
Josh Ellis

MAGNUM FITNESS SYSTEMS

2201 12th. Avenue
S. Milwaukee, Wi, 53172

TITLE: A300 - Ab Crunch

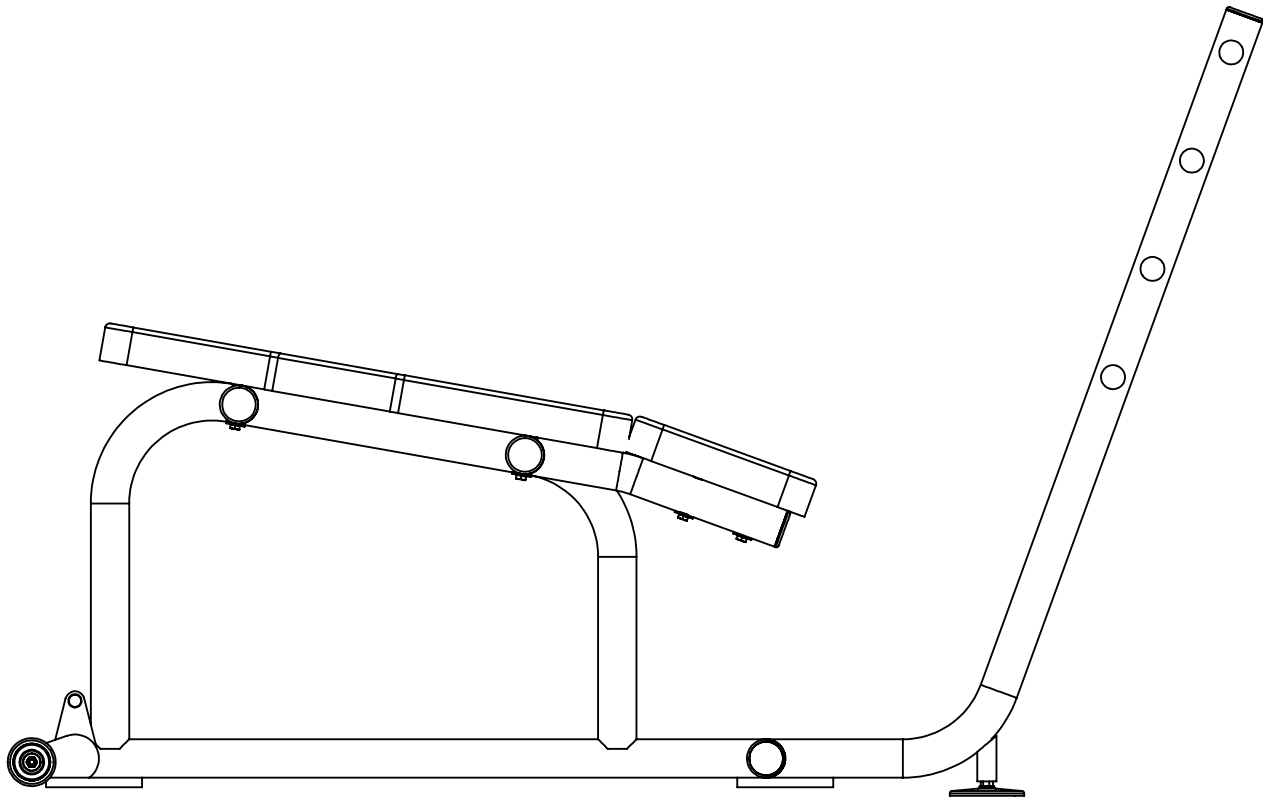
DATE:
05/27/10

PART NO.
XXX-XXX

JOB NO.
XXXXXXXX

REV:
1

ITEM NO.	PART NUMBER	DESCRIPTION	QTY.
1	101-214	Main Frame	1
2	850-035	2" ROUND END CAP	9
3	headpad	Small Pad	1
4	backpad	Large Pad	1
5	Preferred Wide FW 0.375		7
6	Preferred Wide FW 0.3125		8
7	HFBOLT 0.3125-18x3x0.875-N		7
8	HFBOLT 0.3125-18x2.25x0.875-N		2
9	700-532	1" ID Grip - 6" Long - Cut from 10" Grip (858-300)	8
10	HJNUT 0.3125-18-D-N		4
11	850-507	WHEEL	2
12	833-133	4" FOOT (SHORT)	1



This document contains information proprietary to Magnum Fitness Systems. It is submitted in confidence and is to be used solely for the purpose for which it is furnished. This document and such information is not to be reproduced, transmitted, or used in whole or part without written authorization.

TOLERANCES: + 0.000"
- 1/16"

UNLESS OTHERWISE SPECIFIED
DIMENSIONS ARE IN INCHES.

DRAWN BY:
Josh Ellis

MAGNUM FITNESS SYSTEMS
2201 12th. Avenue
S. Milwaukee, Wi, 53172

TITLE: A300 - Ab Crunch

DATE:
05/27/10

PART NO.
XXX-XXX

JOB NO.
XXXXXXXXX

REV:
1

FILE LOCATION: C:\Cad Drawings\Solid Works\

2 OF 2