

This document contains information proprietary to Magnum Fitness Systems. It is submitted in confidence and is to be used solely for the purpose for which it is furnished. This document and such information is not to be reproduced, transmitted, or used in whole or part without written authorization.

TOLERANCES: + 0.000"
- 1/16"

MAGNUM FITNESS SYSTEMS
2201 12th. Avenue
S. Milwaukee, WI, 53172

UNLESS OTHERWISE SPECIFIED
DIMENSIONS ARE IN INCHES.

TITLE: 2286 - STANDING CALF

DRAWN BY:
R. Degenhardt

DATE:
12/22/04

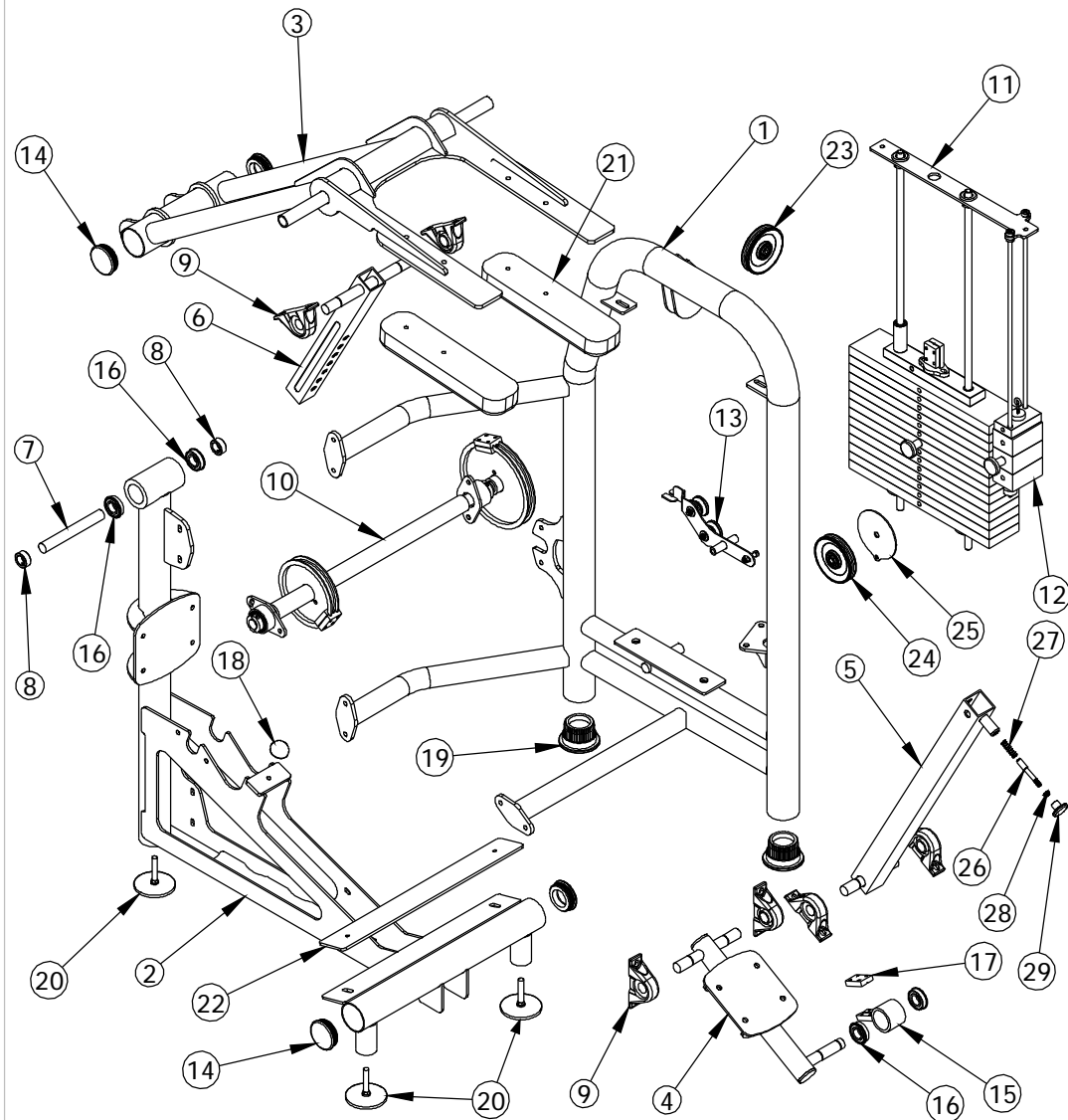
PART NO.
xxx-xxx

JOB NO.
XXXXXXXX

REV:
1

FILE LOCATION: C:\Cad Drawings\Solid Works\

1 OF 3



This document contains information proprietary to Magnum Fitness Systems. It is submitted in confidence and is to be used solely for the purpose for which it is furnished. This document and such information is not to be reproduced, transmitted, or used in whole or part without written authorization.

TOLERANCES: + 0.000"
- 1/16"

MAGNUM FITNESS SYSTEMS

2201 12th. Avenue
S. Milwaukee, WI, 53172

TITLE: 2286 - STANDING CALF

UNLESS OTHERWISE SPECIFIED
DIMENSIONS ARE IN INCHES.

DRAWN BY:
R. Degenhardt

DATE:
12/22/04

PART NO.
xxx-xxx

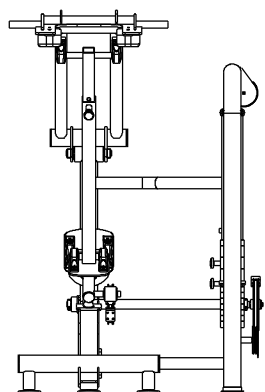
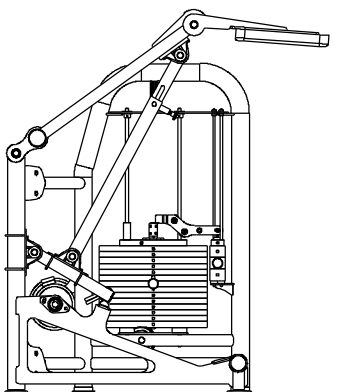
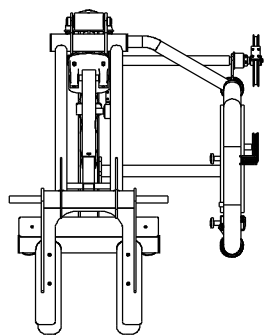
JOB NO.
XXXXXXXX

REV:
1

FILE LOCATION: C:\Cad Drawings\Solid Works\

2 OF 3

ITEM NO.	QTY.	PART NO.	DESCRIPTION
1	1	101-071	2286 MAIN FRAME SUB-ASSEMBLY
2	1	101-072	2286 MAIN FRAME SUB-ASSEMBLY
3	1	101-073	2286 MAIN ARM
4	1	101-076	2286 PIVOT ASSEMBLY
5	1	100-713	ADJUSTMENT TUBE
6	1	339-907	ADJUSTMENT TUBE - CHROMED
7	1	200-340	1" CRR - 7 3/4"
8	2	852-616	SET COLLAR - 1"ID
9	6	851-317	1" PILLOW BLOCK
10	1	101-339	2286 CAM ASSEMBLY
11	1	101-303	WEIGHT STACK ASSEMBLY
12	1	101-143	MINI WEIGHT STACK
13	1	101-149	RIGHT BANANA
14	4	850-045	3" ROUND END CAP
15	1	100-904	CABLE CLIP ASSEMBLY
16	4	851-416	FLANGE BEARING - 1"
17	1	339-714	1/2" x 1 1/2" F.S. - 2 1/4"
18	1	838-223	HALF-ROUND RUBBER BUMPER
19	2	850-056	3" FOOT
20	3	833-129	4" FOOT (LONG)
21	2	900-207	UPHOLSTERY
22	1	501-299	DIAMOND PLATE
23	1	853-303	4" CABLE PULLEY - 3/8" NARROW HOLE
24	1	853-300	4" CABLE PULLEY - 1/2" NARROW HOLE
25	1	501-125	1/8" PLASMA
26	1	855-302	SPRING PIN w/ 5/32"
27	1	852-807	SPRING
28	1	817-306	3/8"-16 JAM NUT
29	1	852-207	GOLD PULL KNOB



This document contains information proprietary to Magnum Fitness Systems. It is submitted in confidence and is to be used solely for the purpose for which it is furnished. This document and such information is not to be reproduced, transmitted, or used in whole or part without written authorization.

TOLERANCES: + 0.000"
- 1/16"

UNLESS OTHERWISE SPECIFIED
DIMENSIONS ARE IN INCHES.

MAGNUM FITNESS SYSTEMS
2201 12th. Avenue
S. Milwaukee, WI, 53172

TITLE: 2286 - STANDING CALF

DRAWN BY:
R. Degenhardt

DATE:
12/22/04

PART NO.
xxx-xxx

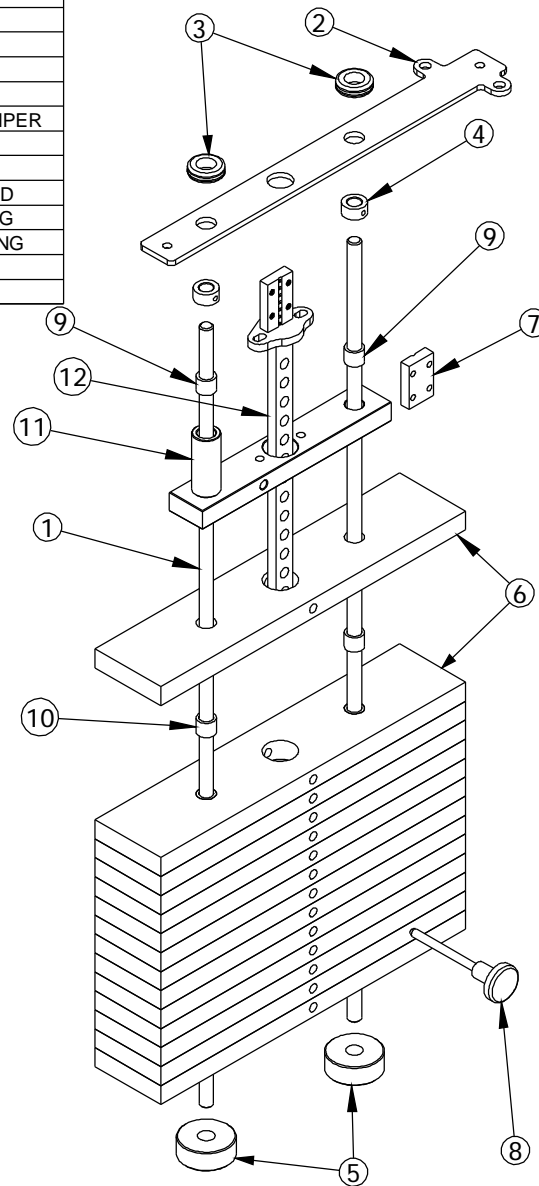
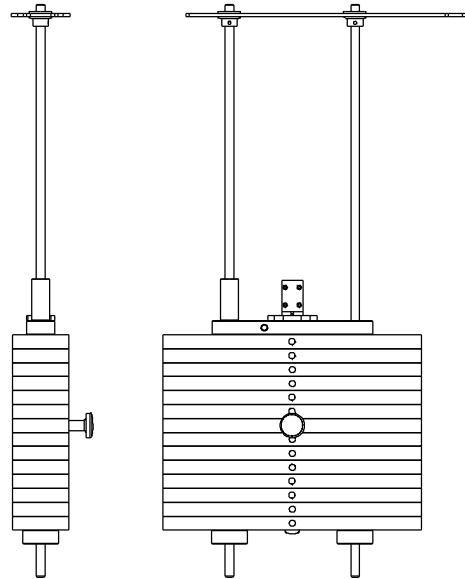
JOB NO.
XXXXXXXX

REV:
1

FILE LOCATION: C:\Cad Drawings\Solid Works\

3 OF 3

ITEM NO.	QTY.	PART NO.	DESCRIPTION
1	2	200-384	5/8" GUIDE ROD - 41"
2	1	500-963	1/4" PLASMA
3	2	858-005	5/8" RUBBER GROMMET
4	2	852-610	5/8" SET COLLAR
5	2	838-211	ROUND WEIGHT STACK BUMPER
6	14	300-410	1" x 4" F.S. - 18 1/2"
7	1	339-714	1/2" x 1 1/2" F.S. - 2 1/4"
8	1	852-007	SELECTOR PIN w/ 6 1/2" CORD
9	2	849-001	7/8"OD x 5/8"ID x 3/4" BUSHING
10	28	849-002	7/8"OD x .640"ID x 3/4" BUSHING
11	1	101-129	TOP WEIGHT PLATE
12	1	101-127	CENTER STICK - 14



This document contains information proprietary to Magnum Fitness Systems. It is submitted in confidence and is to be used solely for the purpose for which it is furnished. This document and such information is not to be reproduced, transmitted, or used in whole or part without written authorization.

TOLERANCES: + 0.000"
- 1/16"

UNLESS OTHERWISE SPECIFIED
DIMENSIONS ARE IN INCHES.

MAGNUM FITNESS SYSTEMS
2201 12th. Avenue
S. Milwaukee, WI, 53172

TITLE: WEIGHT STACK
56" FRAME - 14 PLATE

DRAWN BY:
RAD

DATE:
11/04/04

PART NO.
101-303

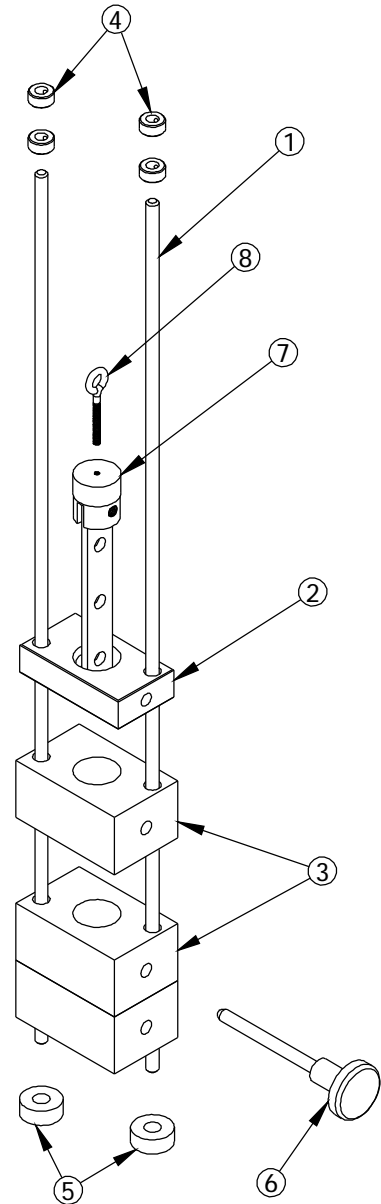
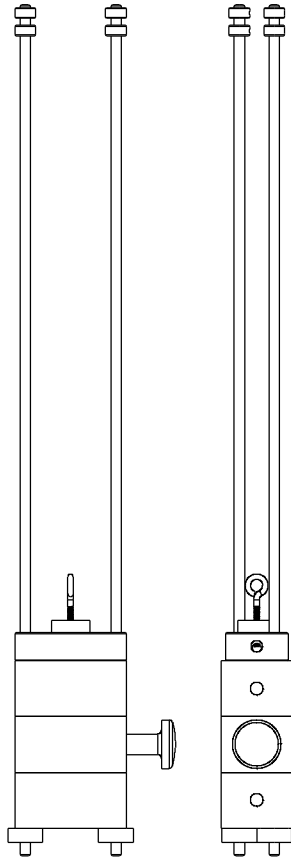
JOB NO.
XXXXXXXXX

REV:
1

FILE LOCATION: C:\Cad Drawings\Solid Works\

1 OF 1

ITEM NO.	QTY.	PART NO.	DESCRIPTION
1	2	200-402	3/8" GUIDE ROD - 30 1/2"
2	1	807-001	1" x 2 1/4" F.S. - 4"
3	3	300-413	2" x 4" F.S. - 2 9/16"
4	4	852-607	3/8" SHAFT COLLAR
5	2	858-251	1/2" RUBBER BUMPER
6	1	852-008	SELECTOR PIN w/ 4" CORD
7	1	101-053	MINI WEIGHT STACK CENTER STICK
8	1	818-899	3/8" EYE BOLT - 2 1/2"



This document contains information proprietary to Magnum Fitness Systems. It is submitted in confidence and is to be used solely for the purpose for which it is furnished. This document and such information is not to be reproduced, transmitted, or used in whole or part without written authorization.

TOLERANCES: + 0.000"
- 1/16"

UNLESS OTHERWISE SPECIFIED
DIMENSIONS ARE IN INCHES.

DRAWN BY:
RAD

MAGNUM FITNESS SYSTEMS
2201 12th. Avenue
S. Milwaukee, WI, 53172

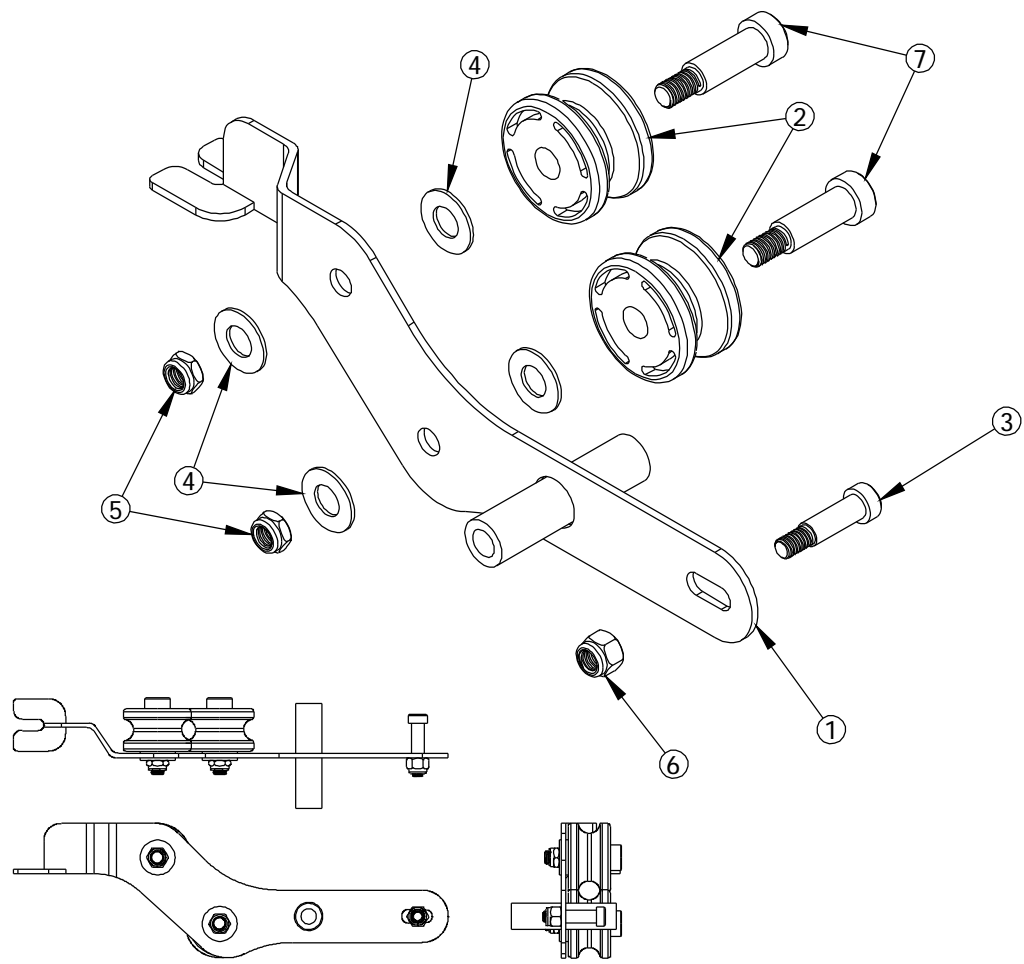
TITLE: "E" SERIES MINI STACK

DATE: 08/02/04	PART NO. 101-143	JOB NO. XXXXXXXX	REV: 1
-------------------	---------------------	---------------------	-----------

FILE LOCATION: C:\Cad Drawings\Solid Works\

1 OF 1

ITEM NO.	QTY.	PART NO.	DESCRIPTION
1	1	101-084	RIGHT BANANA
2	2	853-314	ROLLER w/ BEARING
3	1	810-953	3/8" SHOULDER BOLT - 1"
4	4	818-008	1/2" FLAT WASHER
5	2	817-306	3/8"-16 JAM NUT
6	1	817-406	3/8" NUT
7	2	810-954	1/2" x 1 1/4" SHOULDER BOLT



This document contains information proprietary to Magnum Fitness Systems. It is submitted in confidence and is to be used solely for the purpose for which it is furnished. This document and such information is not to be reproduced, transmitted, or used in whole or part without written authorization.

TOLERANCES: + 0.000"
- 1/16"

UNLESS OTHERWISE SPECIFIED
DIMENSIONS ARE IN INCHES.

DRAWN BY:
RAD

MAGNUM FITNESS SYSTEMS
2201 12th. Avenue
S. Milwaukee, WI, 53172

TITLE: BANANA ASSEMBLY (RIGHT)

DATE: 08/02/04	PART NO. 101-149	JOB NO. XXXXXXXX	REV: 1
-------------------	---------------------	---------------------	-----------

FILE LOCATION: C:\Cad Drawings\Solid Works\

1 OF 1