

This document contains information proprietary to Magnum Fitness Systems. It is submitted in confidence and is to be used solely for the purpose for which it is furnished. This document and such information is not to be reproduced, transmitted, or used in whole or part without written authorization.

TOLERANCES: + 0.000"
- 1/16"

UNLESS OTHERWISE SPECIFIED
DIMENSIONS ARE IN INCHES.

DRAWN BY:
R. Degenhardt

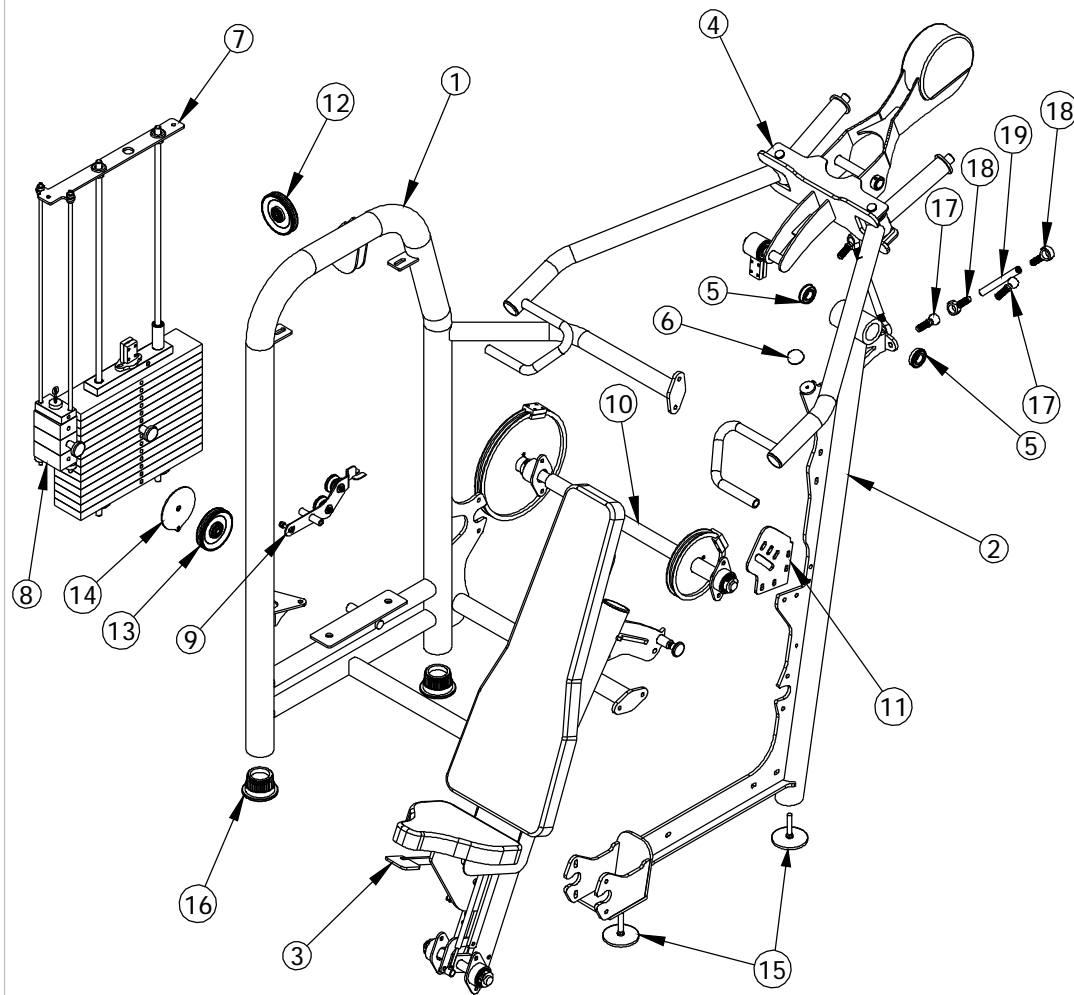
MAGNUM FITNESS SYSTEMS
2201 12th. Avenue
S. Milwaukee, WI, 53172

TITLE: 2217 - Biangular Incline Press

DATE: 01/11/05	PART NO. xxx-xxx	JOB NO. XXXXXXXX	REV: 1
-------------------	---------------------	---------------------	-----------

FILE LOCATION: C:\Cad Drawings\Solid Works\

1 OF 1



This document contains information proprietary to Magnum Fitness Systems. It is submitted in confidence and is to be used solely for the purpose for which it is furnished. This document and such information is not to be reproduced, transmitted, or used in whole or part without written authorization.

TOLERANCES: + 0.000"
- 1/16"

MAGNUM FITNESS SYSTEMS

2201 12th. Avenue
S. Milwaukee, WI, 53172

TITLE: 2217 - Biangular Incline Press

UNLESS OTHERWISE SPECIFIED
DIMENSIONS ARE IN INCHES.

DRAWN BY:
R. Degenhardt

DATE:
01/11/05

PART NO.
xxx-xxx

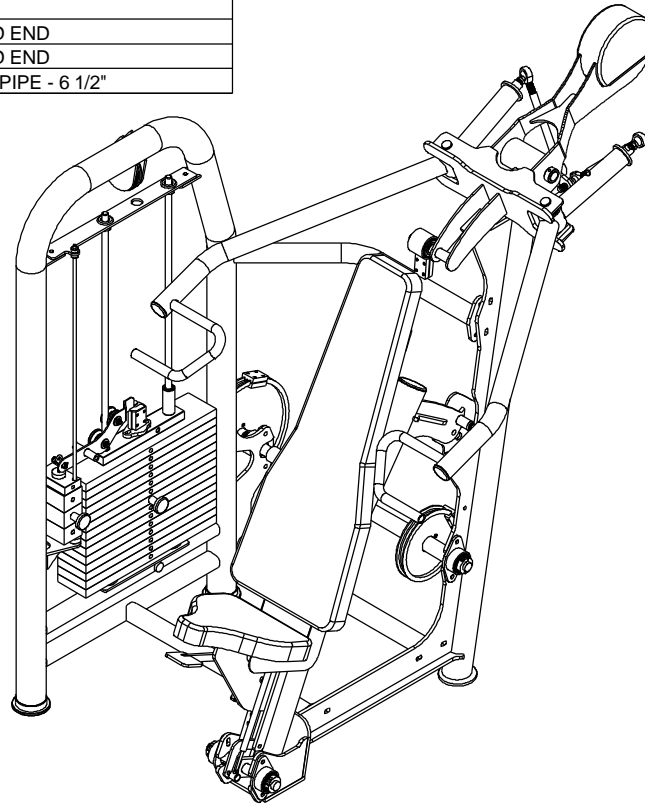
JOB NO.
XXXXXXXX

REV:
1

FILE LOCATION: C:\Cad Drawings\Solid Works\

1 OF 1

ITEM NO.	QTY.	PART NO.	DESCRIPTION
1	1	101-038	2217 MAIN FRAME SUB-ASSEMBLY
2	1	101-037	2217 MAIN FRAME SUB-ASSEMBLY
3	1	101-360	2217 SEAT ASSEMBLY
4	1	101-361	2214/2217 H-BRACE/ARM ASSEMBLY
5	2	851-416	FLANGE BEARING - 1"
6	1	838-223	HALF-ROUND RUBBER BUMPER
7	1	101-332	WEIGHT STACK ASSEMBLY
8	1	101-288	MINI WEIGHT STACK ASSEMBLY
9	1	101-148	LEFT BANANA ASSEMBLY
10	1	101-362	CAM ASSEMBLY
11	1	339-032	1/4" PLASMA - CHROMED
12	1	853-303	4" CABLE PULLEY - 3/8" NARROW HOLE
13	1	853-300	4" CABLE PULLEY - 1/2" NARROW HOLE
14	1	501-125	1/8" PLASMA
15	2	833-129	4" FOOT (LONG)
16	2	850-056	3" FOOT
17	4	855-155m	MALE STUD ROD END
18	4	855-155f	MALE STUD ROD END
19	2	250-400	3/4"OD x 7/16"ID PIPE - 6 1/2"



This document contains information proprietary to Magnum Fitness Systems. It is submitted in confidence and is to be used solely for the purpose for which it is furnished. This document and such information is not to be reproduced, transmitted, or used in whole or part without written authorization.

TOLERANCES: + 0.000"
- 1/16"

UNLESS OTHERWISE SPECIFIED
DIMENSIONS ARE IN INCHES.

DRAWN BY:
R. Degenhardt

MAGNUM FITNESS SYSTEMS

2201 12th. Avenue
S. Milwaukee, WI, 53172

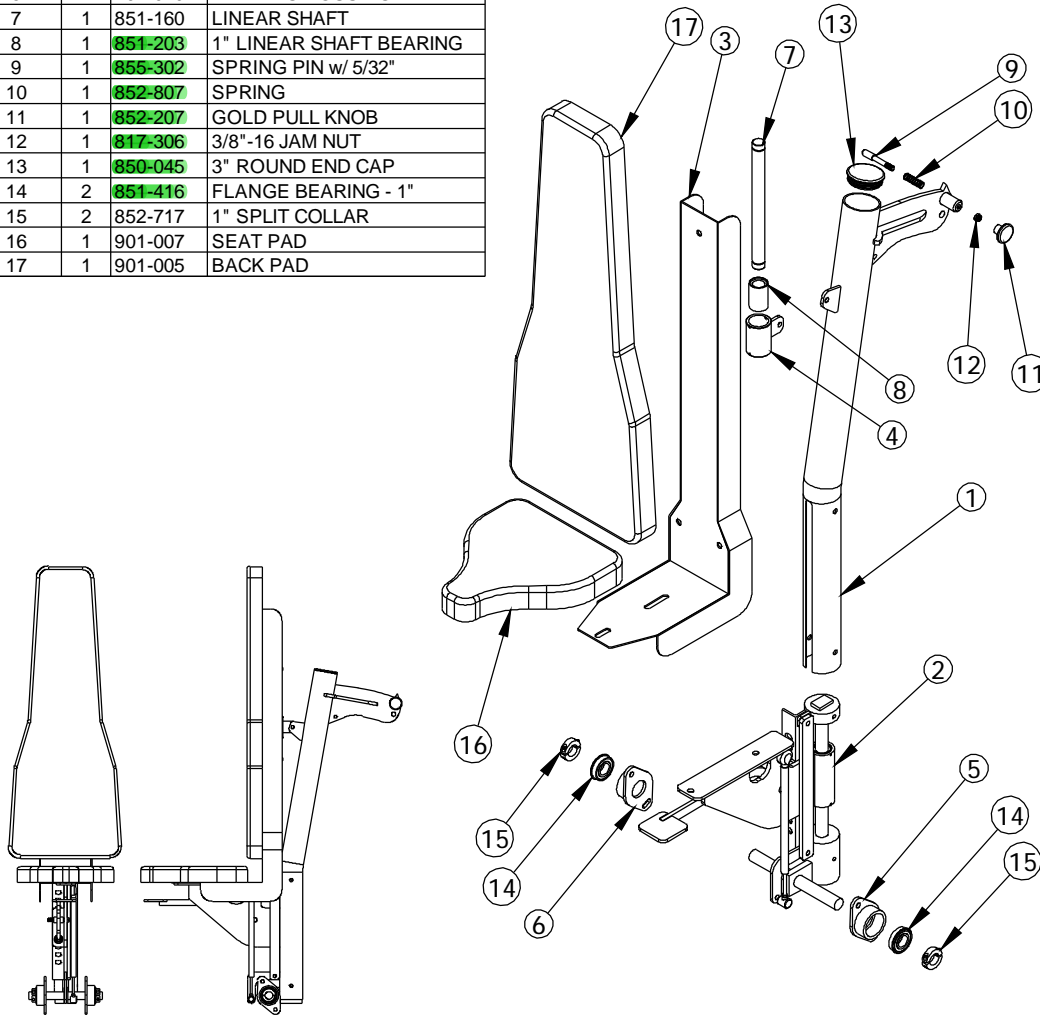
TITLE: 2217 - Biangular Incline Press

DATE: 01/11/05	PART NO. xxx-xxx	JOB NO. XXXXXXXX	REV: 1
-------------------	---------------------	---------------------	-----------

FILE LOCATION: C:\Cad Drawings\Solid Works\

1 OF 1

ITEM NO.	QTY.	PART NO.	DESCRIPTION
1	1	101-039	2217 SEAT ASSEMBLY
2	1	101-119	SHORT SEAT BOX (LEFT)
3	1	100-484	LARGE SEAT BACK
4	1	100-486	LINEAR BEARING BRACKET
5	1	100-880	BEARING HOUSING
6	1	101-040	BEARING HOUSING
7	1	851-160	LINEAR SHAFT
8	1	851-203	1" LINEAR SHAFT BEARING
9	1	855-302	SPRING PIN w/ 5/32"
10	1	852-807	SPRING
11	1	852-207	GOLD PULL KNOB
12	1	817-306	3/8"-16 JAM NUT
13	1	850-045	3" ROUND END CAP
14	2	851-416	FLANGE BEARING - 1"
15	2	852-717	1" SPLIT COLLAR
16	1	901-007	SEAT PAD
17	1	901-005	BACK PAD



This document contains information proprietary to Magnum Fitness Systems. It is submitted in confidence and is to be used solely for the purpose for which it is furnished. This document and such information is not to be reproduced, transmitted, or used in whole or part without written authorization.

TOLERANCES: + 0.000"
- 1/16"

UNLESS OTHERWISE SPECIFIED
DIMENSIONS ARE IN INCHES.

DRAWN BY:
R. Degenhardt

DATE:
01/10/05

PART NO.
101-360

JOB NO.
XXXXXXXXX

REV:
1

MAGNUM FITNESS SYSTEMS

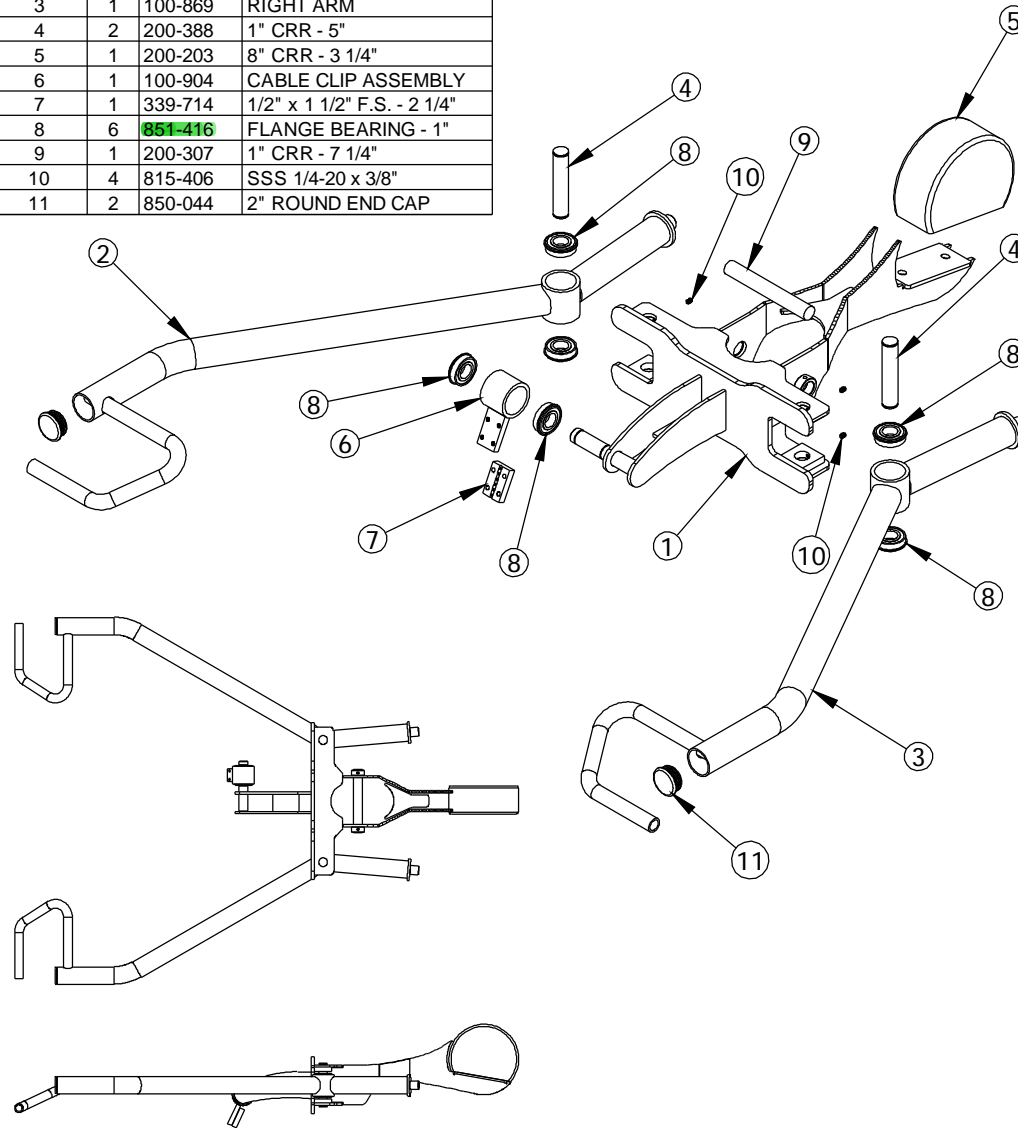
2201 12th. Avenue
S. Milwaukee, WI, 53172

TITLE: 2217 SEAT ASSEMBLY

FILE LOCATION: C:\Cad Drawings\Solid Works\

1 OF 1

ITEM NO.	QTY.	PART NO.	DESCRIPTION
1	1	100-870	2214/2217 H-BRACE
2	1	100-868	LEFT ARM
3	1	100-869	RIGHT ARM
4	2	200-388	1" CRR - 5"
5	1	200-203	8" CRR - 3 1/4"
6	1	100-904	CABLE CLIP ASSEMBLY
7	1	339-714	1/2" x 1 1/2" F.S. - 2 1/4"
8	6	851-416	FLANGE BEARING - 1"
9	1	200-307	1" CRR - 7 1/4"
10	4	815-406	SSS 1/4-20 x 3/8"
11	2	850-044	2" ROUND END CAP



This document contains information proprietary to Magnum Fitness Systems. It is submitted in confidence and is to be used solely for the purpose for which it is furnished. This document and such information is not to be reproduced, transmitted, or used in whole or part without written authorization.

TOLERANCES: + 0.000"
- 1/16"

UNLESS OTHERWISE SPECIFIED
DIMENSIONS ARE IN INCHES.

DRAWN BY:
R. Degenhardt

MAGNUM FITNESS SYSTEMS

2201 12th. Avenue
S. Milwaukee, WI, 53172

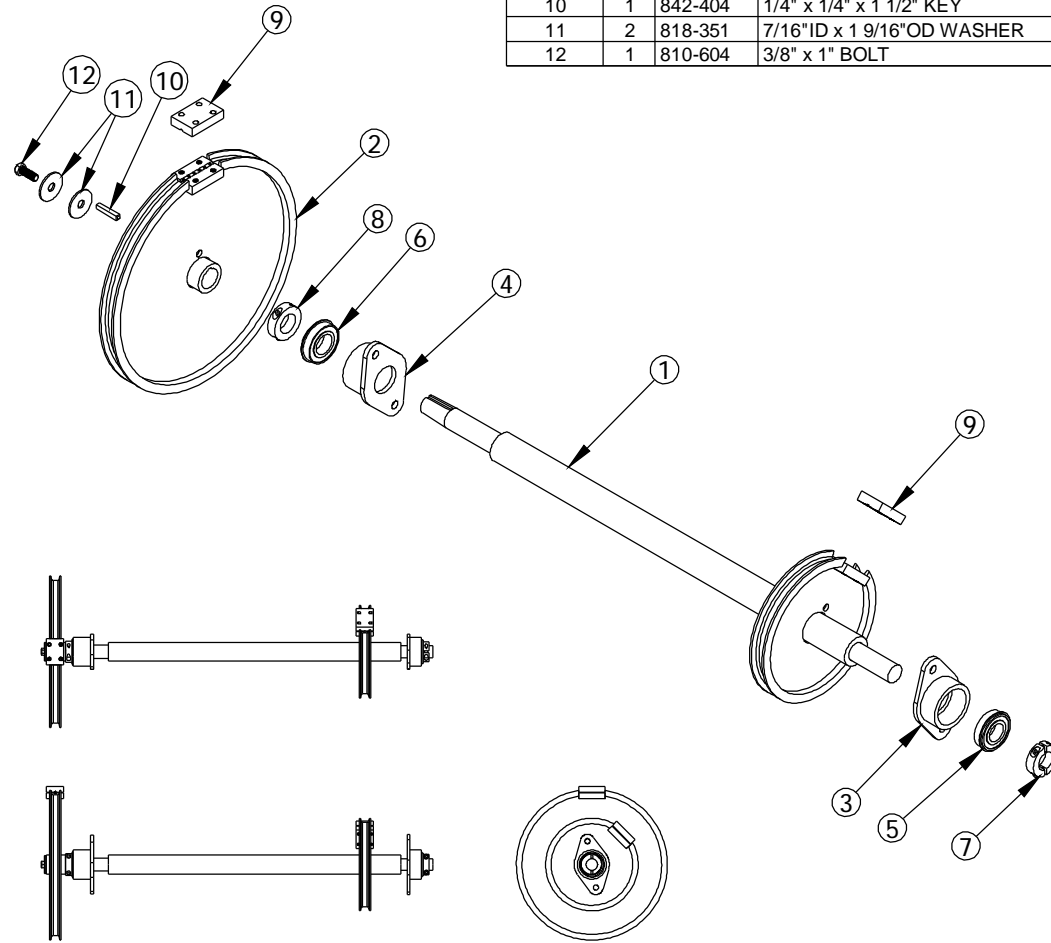
TITLE: 2214/2217 H-BRACE/ARM
ASSEMBLY

DATE: 01/10/05	PART NO. 101-361	JOB NO. XXXXXXXX	REV: 1
-------------------	---------------------	---------------------	-----------

FILE LOCATION: C:\Cad Drawings\Solid Works\

1 OF 1

ITEM NO.	QTY.	PART NO.	DESCRIPTION
1	1	100-878	CAM SHAFT
2	1	100-881	12" ROUND CAM
3	1	100-880	BEARING HOUSING
4	1	100-879	BEARING HOUSING
5	1	851-416	FLANGE BEARING - 1"
6	1	851-420	FLANGE BEARING - 1 1/8"
7	1	852-717	1" SPLIT COLLAR
8	1	852-718	1 1/8" SPLIT COLLAR
9	2	339-714	1/2" x 1 1/2" F.S. - 2 1/4"
10	1	842-404	1/4" x 1/4" x 1 1/2" KEY
11	2	818-351	7/16"ID x 1 9/16"OD WASHER
12	1	810-604	3/8" x 1" BOLT



This document contains information proprietary to Magnum Fitness Systems. It is submitted in confidence and is to be used solely for the purpose for which it is furnished. This document and such information is not to be reproduced, transmitted, or used in whole or part without written authorization.

TOLERANCES: + 0.000"
- 1/16"

UNLESS OTHERWISE SPECIFIED
DIMENSIONS ARE IN INCHES.

DRAWN BY:
R. Degenhardt

MAGNUM FITNESS SYSTEMS
2201 12th. Avenue
S. Milwaukee, WI, 53172

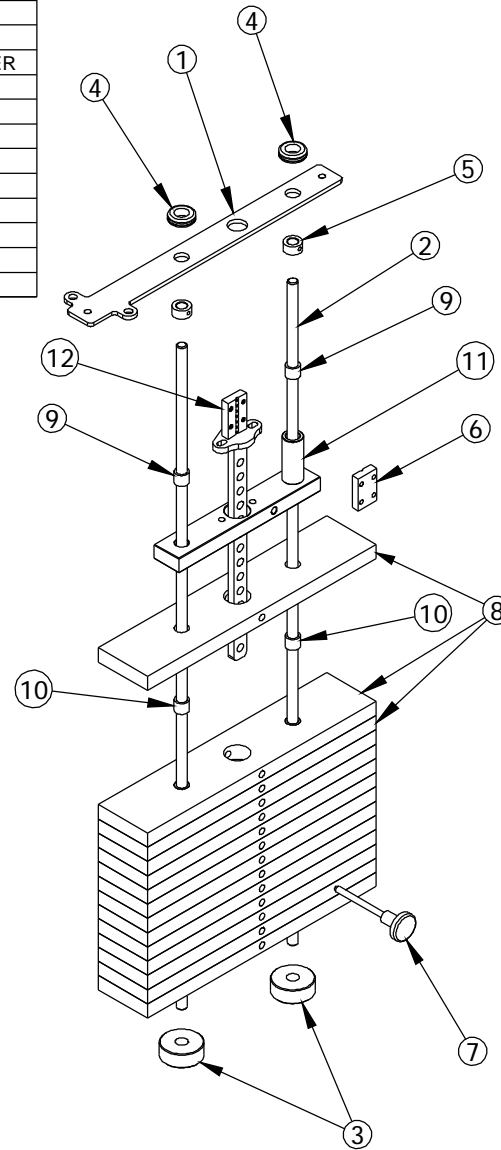
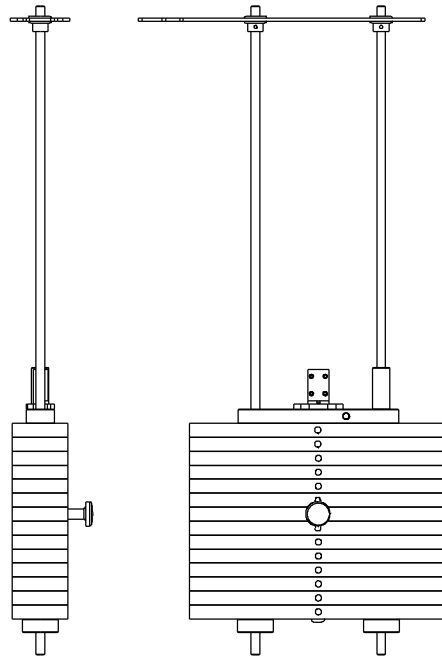
TITLE: CAM ASSEMBLY
2217

DATE: 01/10/05	PART NO. 101-362	JOB NO. XXXXXXXX	REV: 1
-------------------	---------------------	---------------------	-----------

FILE LOCATION: C:\Cad Drawings\Solid Works\

1 OF 1

ITEM NO.	QTY.	PART NO.	DESCRIPTION
1	1	500-963	1/4" PLASMA
2	2	200-389	5/8" GUIDE ROD - 46 1/2"
3	2	838-211	ROUND WEIGHT STACK BUMPER
4	2	858-005	5/8" RUBBER GROMMET
5	2	852-610	5/8" SET COLLAR
6	1	339-714	1/2" x 1 1/2" F.S. - 2 1/4"
7	1	852-007	SELECTOR PIN w/ 6 1/2" CORD
8	14	300-410	1" x 4" F.S. - 18 1/2"
9	2	849-001	7/8"OD x 5/8"ID x 3/4" BUSHING
10	28	849-002	7/8"OD x .640"ID x 3/4" BUSHING
11	1	101-129	TOP WEIGHT PLATE
12	1	101-127	CENTER STICK - 14



This document contains information proprietary to Magnum Fitness Systems. It is submitted in confidence and is to be used solely for the purpose for which it is furnished. This document and such information is not to be reproduced, transmitted, or used in whole or part without written authorization.

TOLERANCES: + 0.000"
- 1/16"

UNLESS OTHERWISE SPECIFIED
DIMENSIONS ARE IN INCHES.

DRAWN BY:
RAD

MAGNUM FITNESS SYSTEMS

2201 12th. Avenue
S. Milwaukee, WI, 53172

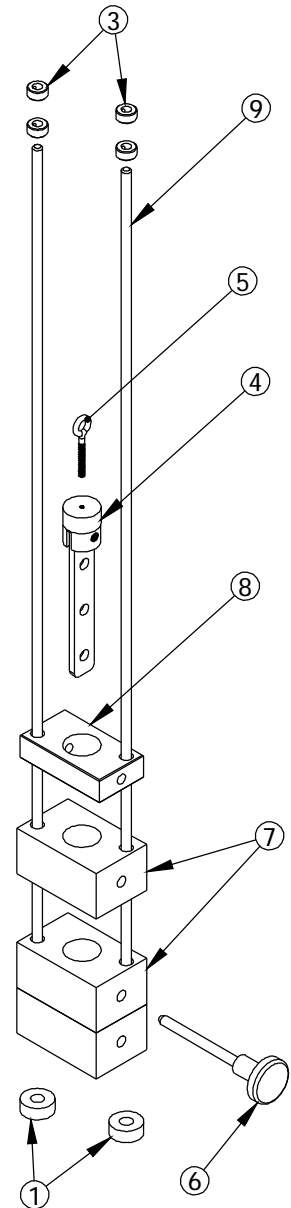
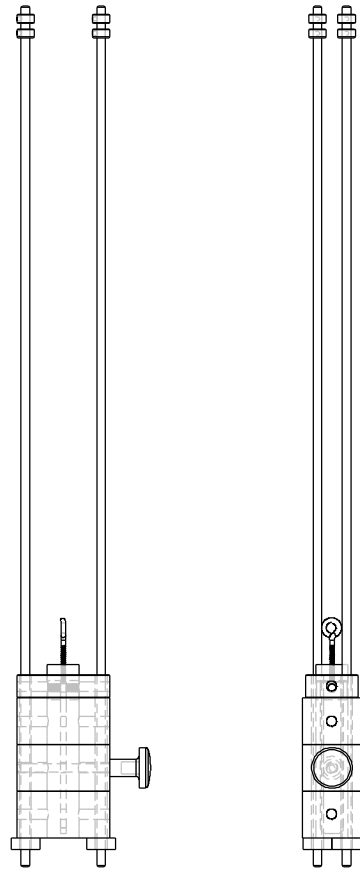
TITLE: WEIGHT STACK ASSEMBLY
62" FRAME - 14 PLATE

DATE: 12/17/04	PART NO. 101-332	JOB NO. XXXXXXXX	REV: 1
-------------------	---------------------	---------------------	-----------

FILE LOCATION: C:\Cad Drawings\Solid Works\

1 OF 1

ITEM NO.	QTY.	PART NO.	DESCRIPTION
1	2	858-251	1/2" RUBBER BUMPER
3	4	852-607	3/8" SHAFT COLLAR
4	1	101-053	MINI WEIGHT STACK CENTER STICK
5	1	818-899	3/8" EYE BOLT - 2 1/2"
6	1	852-008	SELECTOR PIN w/ 4" CORD
7	3	300-413	2" x 4" F.S. - 2 9/16"
8	1	807-001	1" x 2 1/4" F.S. - 4"
9	2	200-394	3/8" GUIDE ROD - 37"



This document contains information proprietary to Magnum Fitness Systems. It is submitted in confidence and is to be used solely for the purpose for which it is furnished. This document and such information is not to be reproduced, transmitted, or used in whole or part without written authorization.

TOLERANCES: + 0.000"
- 1/16"

UNLESS OTHERWISE SPECIFIED
DIMENSIONS ARE IN INCHES.

DRAWN BY:
RAD

MAGNUM FITNESS SYSTEMS
2201 12th. Avenue
S. Milwaukee, WI, 53172

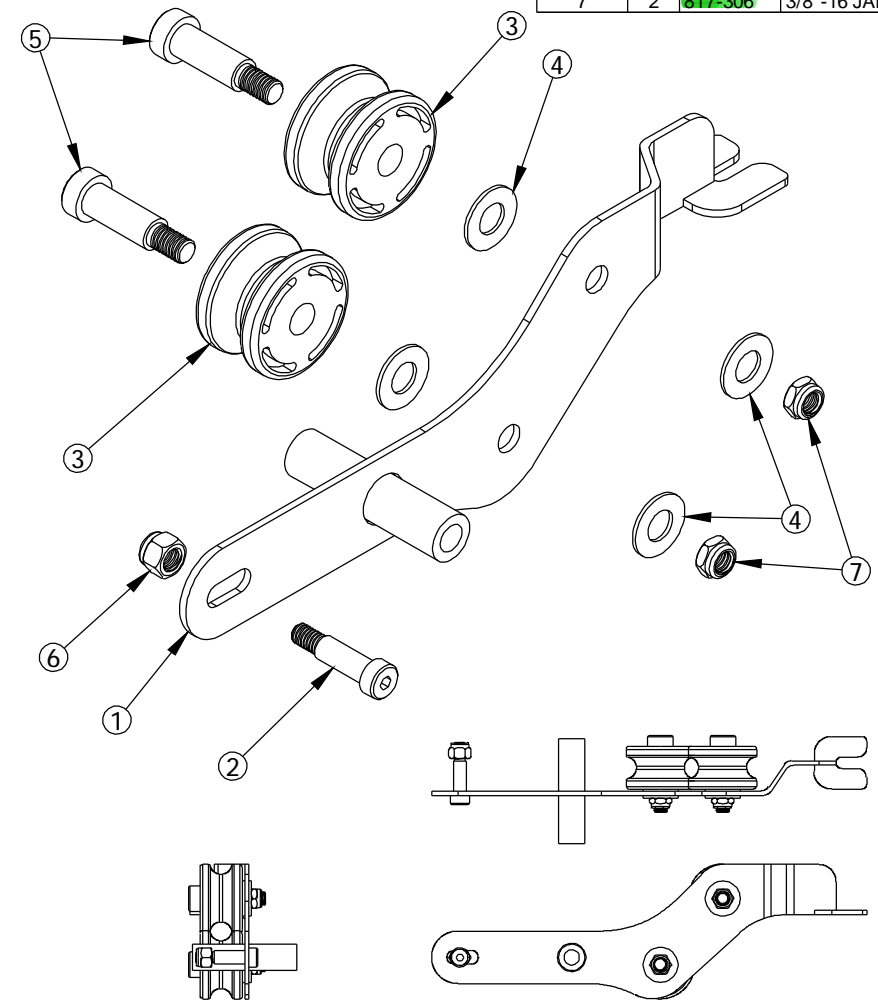
TITLE: MINI WEIGHT STACK ASSEMBLY

DATE: 11/17/04	PART NO. 101-288	JOB NO. XXXXXXXX	REV: 1
-------------------	---------------------	---------------------	-----------

FILE LOCATION: C:\Cad Drawings\Solid Works\

1 OF 1

ITEM NO.	QTY.	PART NO.	DESCRIPTION
1	1	101-083	LEFT BANANA
2	1	810-953	3/8" SHOULDER BOLT - 1"
3	2	853-314	ROLLER w/ BEARING
4	4	818-008	1/2" FLAT WASHER
5	2	810-954	1/2" x 1 1/4" SHOULDER BOLT
6	1	817-406	3/8" NUT
7	2	817-306	3/8"-16 JAM NUT



This document contains information proprietary to Magnum Fitness Systems. It is submitted in confidence and is to be used solely for the purpose for which it is furnished. This document and such information is not to be reproduced, transmitted, or used in whole or part without written authorization.

TOLERANCES: + 0.000"
- 1/16"

UNLESS OTHERWISE SPECIFIED
DIMENSIONS ARE IN INCHES.

DRAWN BY:
RAD

MAGNUM FITNESS SYSTEMS
2201 12th. Avenue
S. Milwaukee, WI, 53172

TITLE: BANANA ASSEMBLY (LEFT)

DATE: 08/02/04	PART NO. 101-148	JOB NO. XXXXXXXX	REV: 1
-------------------	---------------------	---------------------	-----------

FILE LOCATION: C:\Cad Drawings\Solid Works\