

This document contains information proprietary to Magnum Fitness Systems. It is submitted in confidence and is to be used solely for the purpose for which it is furnished. This document and such information is not to be reproduced, transmitted, or used in whole or part without written authorization.

TOLERANCES: + 0.000"
- 1/16"

UNLESS OTHERWISE SPECIFIED
DIMENSIONS ARE IN INCHES.

DRAWN BY:
R. Degenhardt

MAGNUM FITNESS SYSTEMS

2201 12th. Avenue
S. Milwaukee, WI, 53172

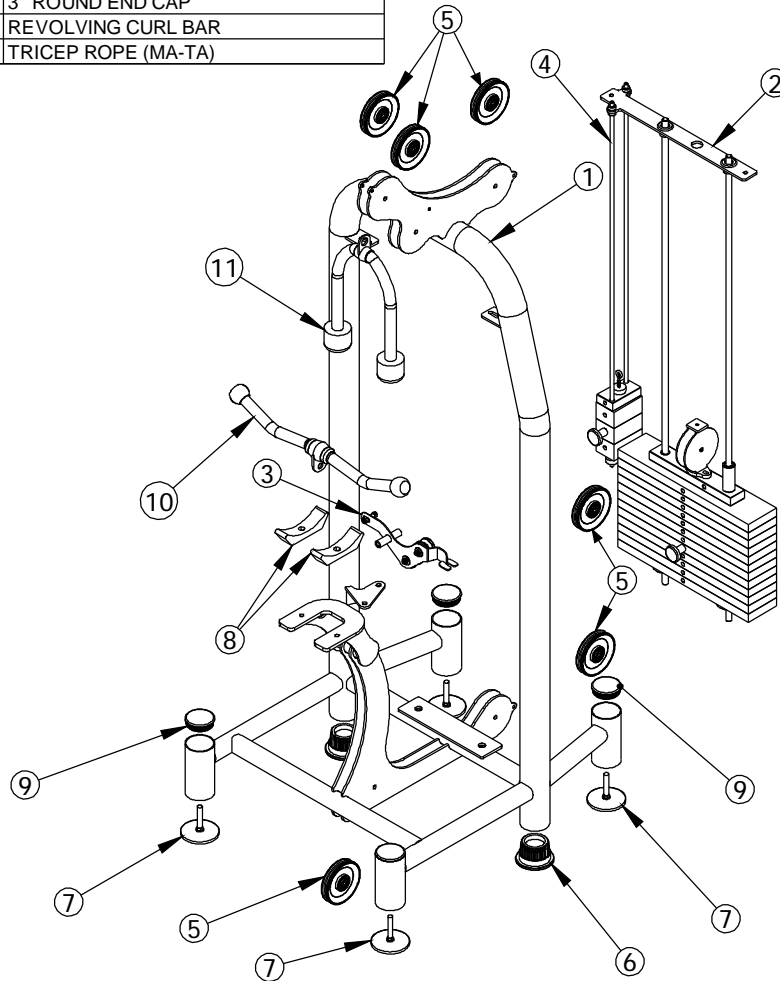
TITLE: 2042 - BICEP CURL/TRICEP
PUSHDOWN

DATE: 01/03/05	PART NO. xxx-xxx	JOB NO. XXXXXXXX	REV: 1
-------------------	---------------------	---------------------	-----------

FILE LOCATION: C:\Cad Drawings\Solid Works\

1 OF 1

ITEM NO.	QTY.	PART NO.	DESCRIPTION
1	1	101-152	2042 MAIN FRAME
2	1	101-345	WEIGHT STACK ASSEMBLY
3	1	101-278	3000 SERIES BANANA (LEFT)
4	1	101-346	MINI WEIGHT STACK ASSEMBLY
5	6	853-303	4" CABLE PULLEY - 3/8" NARROW HOLE
6	2	850-056	3" FOOT
7	4	833-129	4" FOOT (LONG)
8	2	858-600	DUMBBELL CRADDLE
9	4	850-045	3" ROUND END CAP
10	1	800-461	REVOLVING CURL BAR
11	1	605-410	TRICEP ROPE (MA-TA)



This document contains information proprietary to Magnum Fitness Systems. It is submitted in confidence and is to be used solely for the purpose for which it is furnished. This document and such information is not to be reproduced, transmitted, or used in whole or part without written authorization.

TOLERANCES: + 0.000"
- 1/16"

UNLESS OTHERWISE SPECIFIED
DIMENSIONS ARE IN INCHES.

DRAWN BY:
R. Degenhardt

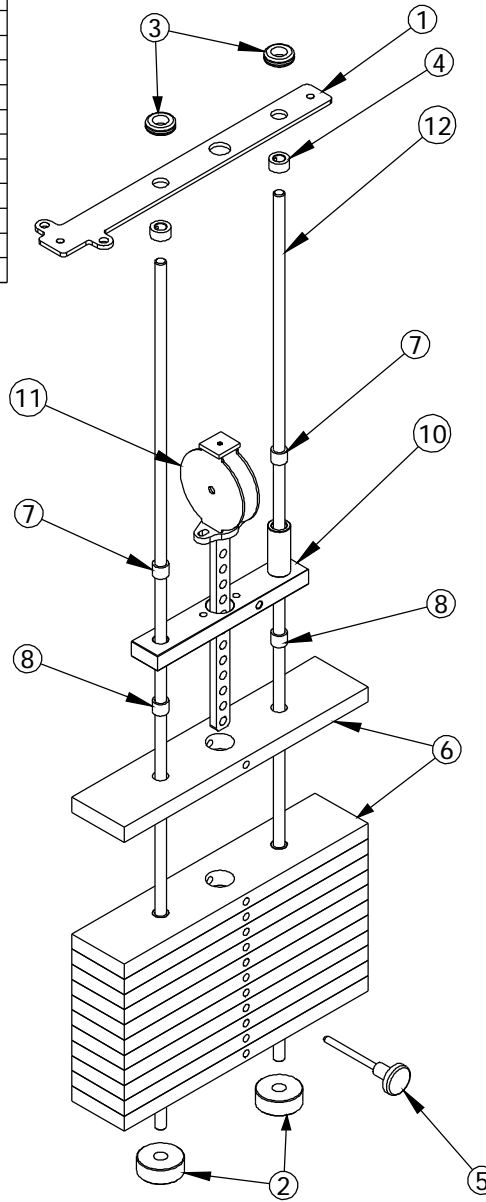
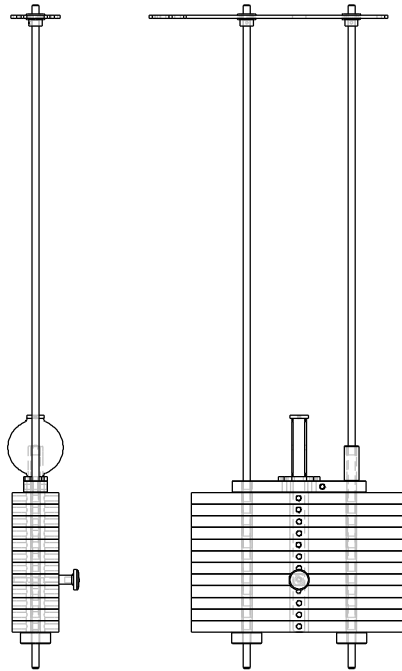
MAGNUM FITNESS SYSTEMS
2201 12th. Avenue
S. Milwaukee, WI, 53172
TITLE: 2042 - BICEP CURL/TRICEP
PUSHDOWN

DATE: 01/03/05	PART NO. xxx-xxx	JOB NO. XXXXXXXX	REV: 1
-------------------	---------------------	---------------------	-----------

FILE LOCATION: C:\Cad Drawings\Solid Works\

1 OF 1

ITEM NO.	QTY.	PART NO.	DESCRIPTION
1	1	500-963	1/4" PLASMA
2	2	838-211	ROUND WEIGHT STACK BUMPER
3	2	858-005	5/8" RUBBER GROMMET
4	2	852-610	5/8" SET COLLAR
5	1	852-007	SELECTOR PIN w/ 6 1/2" CORD
6	12	300-410	1" x 4" F.S. - 18 1/2"
7	2	849-001	7/8"OD x 5/8"ID x 3/4" BUSHING
8	24	849-002	7/8"OD x .640"ID x 3/4" BUSHING
10	1	101-129	TOP WEIGHT PLATE
11	1	101-341	CENTER STICK - 9 PLATE
12	2	200-441	5/8" GUIDE ROD - 57"



This document contains information proprietary to Magnum Fitness Systems. It is submitted in confidence and is to be used solely for the purpose for which it is furnished. This document and such information is not to be reproduced, transmitted, or used in whole or part without written authorization.

TOLERANCES: + 0.000"
- 1/16"

UNLESS OTHERWISE SPECIFIED
DIMENSIONS ARE IN INCHES.

DRAWN BY:
RAD

MAGNUM FITNESS SYSTEMS
2201 12th. Avenue
S. Milwaukee, WI, 53172

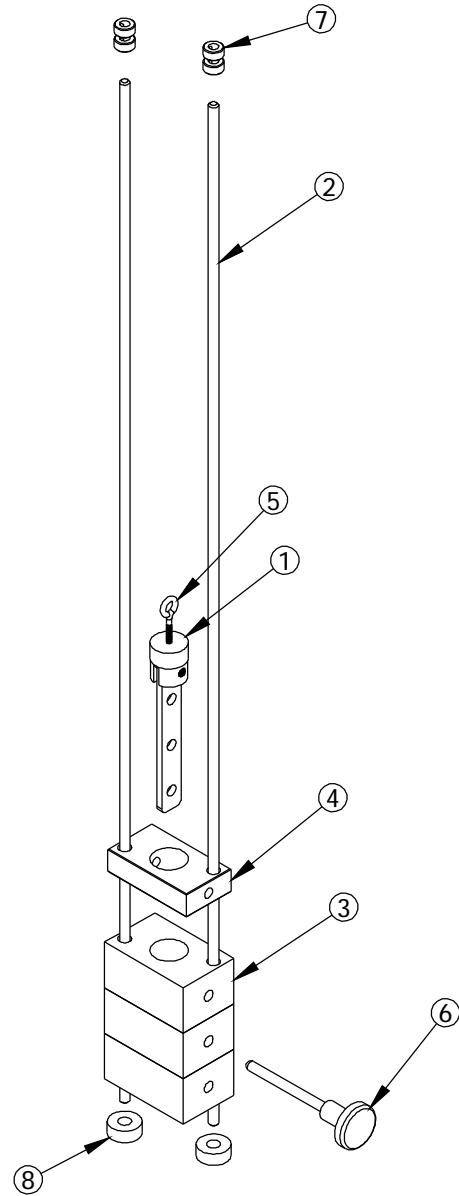
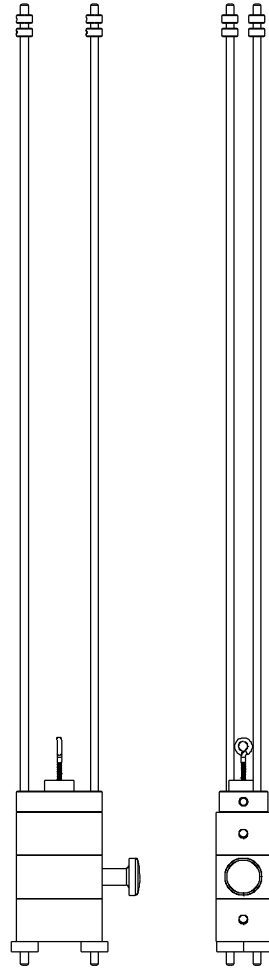
TITLE: WEIGHT STACK ASSEMBLY
68" FRAME - 12 PLATE W/ PULLEY

DATE: 12/30/04	PART NO. 101-345	JOB NO. XXXXXXXXX	REV: 1
-------------------	---------------------	----------------------	-----------

FILE LOCATION: C:\Cad Drawings\Solid Works\

1 OF 1

ITEM NO.	QTY.	PART NO.	DESCRIPTION
1	1	101-053	MINI WEIGHT STACK CENTER STICK
2	2	200-442	3/8" GUIDE ROD - 37 7/8"
3	3	300-413	2" x 4" F.S. - 2 9/16"
4	1	807-001	1" x 2 1/4" F.S. - 4"
5	1	818-899	3/8" EYE BOLT - 2 1/2"
6	1	852-008	SELECTOR PIN w/ 4" CORD
7	4	852-607	3/8" SHAFT COLLAR
8	2	858-251	1/2" RUBBER BUMPER



This document contains information proprietary to Magnum Fitness Systems. It is submitted in confidence and is to be used solely for the purpose for which it is furnished. This document and such information is not to be reproduced, transmitted, or used in whole or part without written authorization.

TOLERANCES: + 0.000"
- 1/16"

UNLESS OTHERWISE SPECIFIED
DIMENSIONS ARE IN INCHES.

DRAWN BY:
R. Degenhardt

MAGNUM FITNESS SYSTEMS
2201 12th. Avenue
S. Milwaukee, WI, 53172

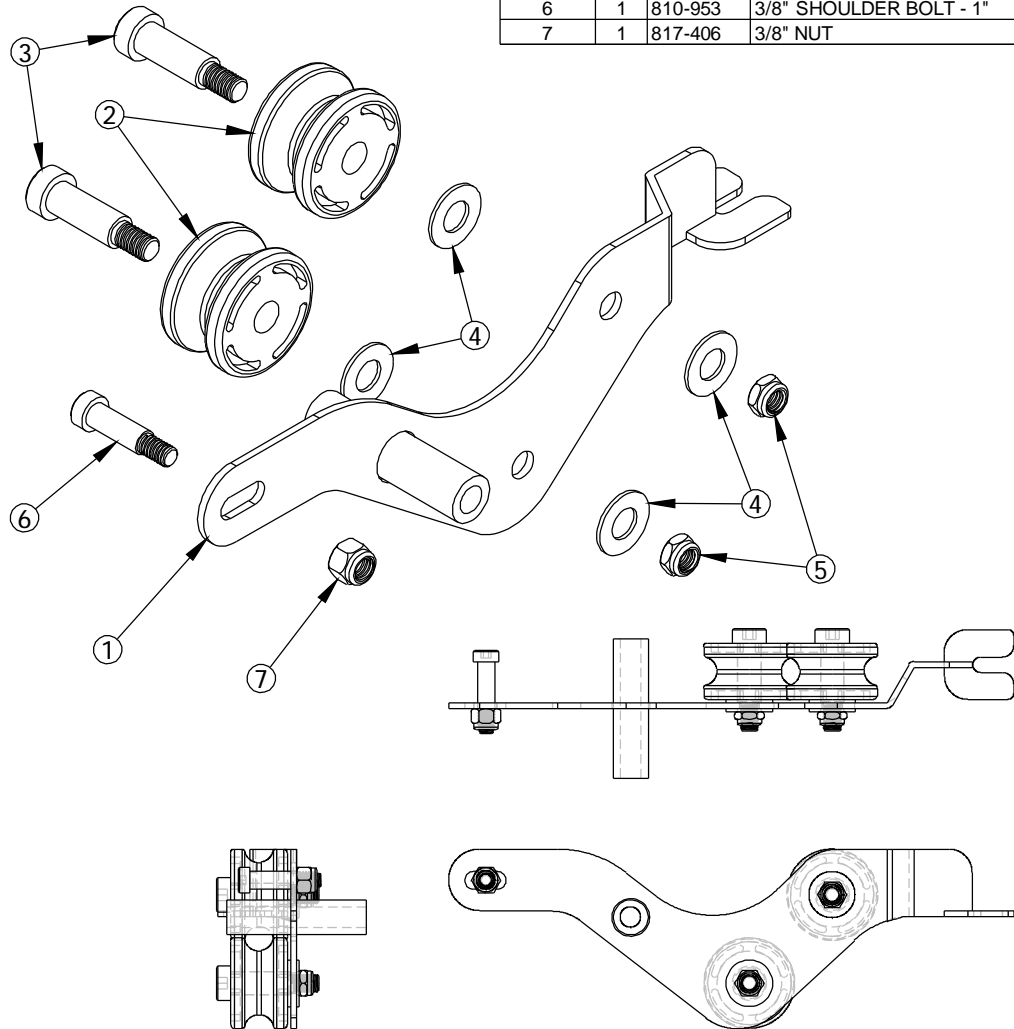
TITLE: MINI WEIGHT STACK
2042

DATE: 12/30/04	PART NO. 101-346	JOB NO. XXXXXXXX	REV: 1
-------------------	---------------------	---------------------	-----------

FILE LOCATION: C:\Cad Drawings\Solid Works\

1 OF 1

ITEM NO.	QTY.	PART NO.	DESCRIPTION
1	1	101-276	BANANA SUB-ASSEMBLY
2	2	853-314	ROLLER w/ BEARING
3	2	810-954	1/2" x 1 1/4" SHOULDER BOLT
4	4	818-008	1/2" FLAT WASHER
5	2	817-306	3/8"-16 JAM NUT
6	1	810-953	3/8" SHOULDER BOLT - 1"
7	1	817-406	3/8" NUT



This document contains information proprietary to Magnum Fitness Systems. It is submitted in confidence and is to be used solely for the purpose for which it is furnished. This document and such information is not to be reproduced, transmitted, or used in whole or part without written authorization.

TOLERANCES: + 0.000"
- 1/16"

UNLESS OTHERWISE SPECIFIED
DIMENSIONS ARE IN INCHES.

DRAWN BY:
RAD

MAGNUM FITNESS SYSTEMS
2201 12th. Avenue
S. Milwaukee, WI, 53172

TITLE: 3000 SERIES BANANA (LEFT)

DATE: 11/05/04	PART NO. 101-278	JOB NO. XXXXXXXX	REV: 1
-------------------	---------------------	---------------------	-----------

FILE LOCATION: C:\Cad Drawings\Solid Works\ 1 OF 1