

This document contains information proprietary to Magnum Fitness Systems. It is submitted in confidence and is to be used solely for the purpose for which it is furnished. This document and such information is not to be reproduced, transmitted, or used in whole or part without written authorization.

TOLERANCES: + 0.000"
- 1/16"

UNLESS OTHERWISE SPECIFIED
DIMENSIONS ARE IN INCHES.

DRAWN BY
J. WENZEL

MAGNUM FITNESS SYSTEMS
2201 12th. Avenue
S. Milwaukee, WI, 53172

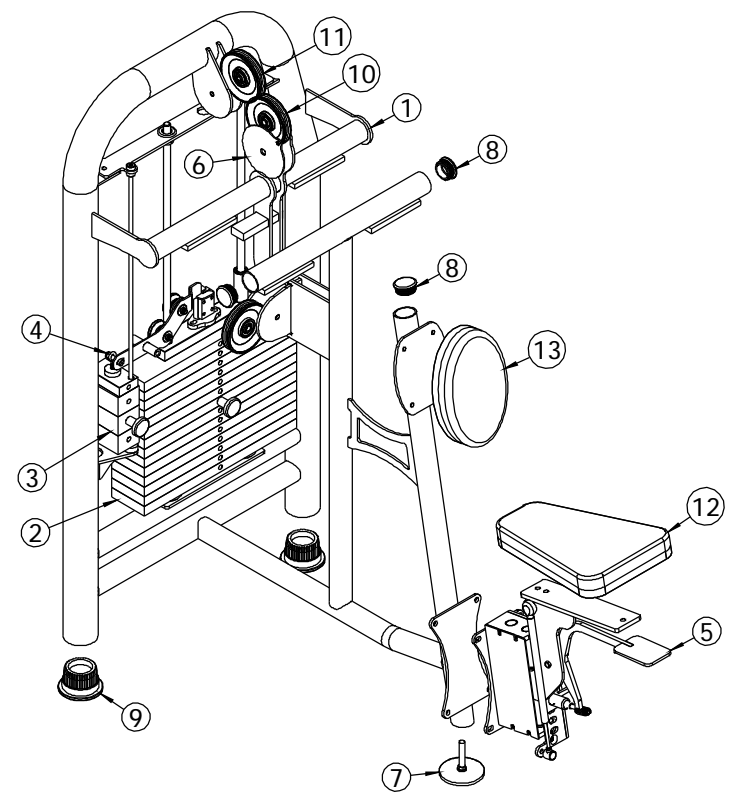
TITLE: 2015 v 1.0
Deltoid Raise

DATE: 01/03/05	PART NO. 2015 v 1.0	JOB NO. XXXXXXXX	REV: 1
-------------------	------------------------	---------------------	-----------

FILE LOCATION: C:\Cad Drawings\Solid Works\

1 OF 3

ITEM NO.	QTY.	PART NO.	DESCRIPTION
1	1	101-056	MAIN FRAME
2	1	101-141	WEIGHT STACK ASSEMBLY
3	1	101-146	MINI-WEIGHT STACK
4	1	101-148	LEFT BANANA ASSEMBLY
5	1	101-344	LONG SEAT BOX
6	1	501-125	1/8" PLASMA
7	1	833-129	4" FOOT (LONG)
8	3	850-035	2" ROUND END CAP
9	2	850-056	3" FOOT
10	2	853-300	4" CABLE PULLEY - 1/2" NARROW HOLE
11	1	853-303	4" CABLE PULLEY - 3/8" NARROW HOLE
12	1	901-004	SEAT UPHOLSTERY
13	1	901-029	CHEST UPHOLSTERY



This document contains information proprietary to Magnum Fitness Systems. It is submitted in confidence and is to be used solely for the purpose for which it is furnished. This document and such information is not to be reproduced, transmitted, or used in whole or part without written authorization.

TOLERANCES: + 0.000"
- 1/16"

UNLESS OTHERWISE SPECIFIED
DIMENSIONS ARE IN INCHES.

MAGNUM FITNESS SYSTEMS
2201 12th. Avenue
S. Milwaukee, WI, 53172

TITLE: 2015 v 1.0
Deltoid Raise

DRAWN BY:
J. WENZEL

DATE:
01/03/05

PART NO.
2015 v 1.0

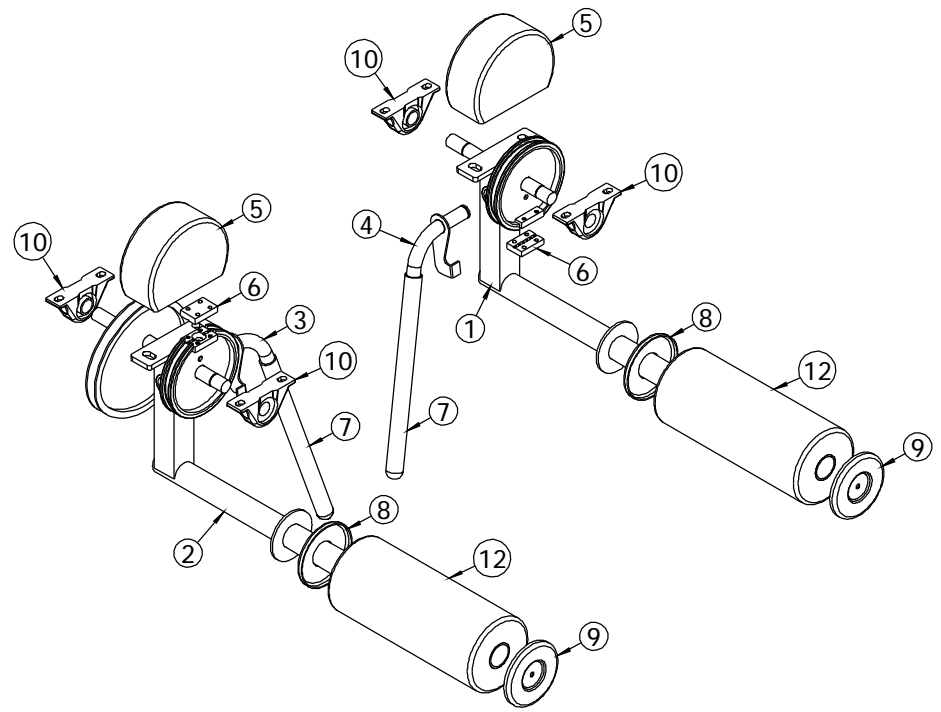
JOB NO.
XXXXXXXX

REV:
1

FILE LOCATION: C:\Cad Drawings\Solid Works\

2 OF 3

ITEM NO.	QTY.	PART NO.	DESCRIPTION
1	1	100-575	RIGHT ARM
2	1	100-576	LEFT ARM
3	1	101-057	LEFT HANDLE
4	1	101-058	RIGHT HANDLE
5	2	200-203	8" CRR - 3 1/4"
6	3	339-714	1/2" x 1 1/2" F.S. - 2 1/4"
7	2	700-031	15 1/2" GRIP
8	2	836-215	ROLLER END CAP w/ 2" HOLE
9	2	836-216	ROLLER END CAP w/ 5/16" HOLE
10	4	851-317	1" PILLOW BLOCK
12	2	902-008	14 1/2" FOAM ROLLER



This document contains information proprietary to Magnum Fitness Systems. It is submitted in confidence and is to be used solely for the purpose for which it is furnished. This document and such information is not to be reproduced, transmitted, or used in whole or part without written authorization.

TOLERANCES: + 0.000"
- 1/16"

UNLESS OTHERWISE SPECIFIED
DIMENSIONS ARE IN INCHES.

DRAWN BY:
J. WENZEL

MAGNUM FITNESS SYSTEMS
2201 12th. Avenue
S. Milwaukee, WI, 53172

TITLE: 2015 v 1.0
Deltoid Raise

DATE: 01/03/05	PART NO. 2015 v 1.0	JOB NO. XXXXXXXX	REV: 1
-------------------	------------------------	---------------------	-----------